



FRSM 603 C TD

FRSM 604 C T

EN Installation and user manual
 DE Installations- und Gebrauchsanweisung
 FR Manuel d'installation et mode d'emploi
 IT Manuale per l'installazione e l'uso
 ES Manual de instalación y servicio
 PT Manual de instalação e de assistência
 EL Εγκατάσταση και εγχειρίδιο συντήρησης
 CS Montážní a servisní návod
 PL Instrukcja montażu i obsługi
 RO Manual de instalare și service
 SK Návod na inštaláciu a obsluhu
 RU Руководство по установке и обслуживанию
 UK Посібник зі встановлення та обслуговування
 TR Kurulum ve servis kılavuzu
 AR دليل التركيب والاستعمال

Radiant hob - vitroceramic
 Glaskeramik - Kochfeld
 Plaque de cuisson radiante - vitrocéramique
 Piano cottura a resistenza - in vitroceramica
 Placa radiante - vitrocerámica
 Placa radiante - vitrocerâmica
 Επαγωγική εστία - υαλοκεραμική
 Sálavá varná deska - sklokeramika
 Płyta grzejna szklano - ceramiczna
 Plită radiantă - vitroceramică
 Sklokeramická varná doska
 Стеклокерамическая варочная панель
 Варильна поверхня - склокерамічна
 Radyant ocak - cam seramik
 موقد إشعاعي - بسطح زجاجي خزفي

LANGUAGES

EN INSTALLATION AND USER MANUAL	5
DE INSTALLATIONS- UND GEBRAUCHSANWEISUNG	13
FR MANUEL D'INSTALLATION ET MODE D'EMPLOI.....	21
IT MANUALE PER L'INSTALLAZIONE E L'USO	29
ES MANUAL DE INSTALACIÓN Y SERVICIO	37
PT MANUAL DE INSTALAÇÃO E DE ASSISTÊNCIA.....	45
EL ΕΓΚΑΤΑΣΤΑΣΗ ΚΑΙ ΕΓΧΕΙΡΙΔΙΟ ΣΥΝΤΗΡΗΣΗΣ	53
CS MONTÁŽNÍ A SERVISNÍ NÁVOD	61
PL INSTRUKCJA MONTAŻU I OBSŁUGI.....	69
RO MANUAL DE INSTALARE ŞI SERVICE	77
SK NÁVOD NA INŠTALÁCIU A OBSLUHU	85
RU РУКОВОДСТВО ПО УСТАНОВКЕ И ОБСЛУЖИВА ИЮ	93
UK ПОСІБНИК ЗІ ВСТАНОВЛЕННЯ ТА ОБСЛУГОВУВАННЯ	103
TR KURULUM VE SERVIS KILAVUZU	111
AR دليل التركيب والاستعمال.....	١

TABLE OF CONTENTS

SAFETY INFORMATION	6
INSTALLATION.....	7
ELECTRICAL CONNECTION	8
OVERVIEW.....	9
DAILY USE.....	10
FUNCTIONS.....	10
CLEANING AND MAINTENANCE	12
TECHNICAL DATA.....	12
SUPPORT	12

Read the operating instructions before using the product for the first time.


The manufacturer can not be made liable for possible damage which may occur due to incorrect installation and incorrect, improper or unreasonable use of the device.

To ensure safe and efficient operation of this electrical device:

Only contact authorised service centres.

Do not modify any features of the device.


The appliance is not to be used by persons (including children) with reduced physical, sensory or mental capabilities, or lack of experience and knowledge, unless they have been given supervision or instruction.


 This appliance can be used by children aged from 8 years and above and persons with reduced physical, sensory or mental capabilities or lack of experience and knowledge if they have been given supervision or instruction concerning use of the appliance in a safe way and understand the hazards involved.

Children shall not play with the appliance.


Cleaning and user maintenance shall not be made by children without supervision.


Children must not play with the appliance.

 It must be possible to disconnect the appliance from the power supply by unplugging it if plug is accessible, or by a multi-pole switch installed upstream of the socket in accordance with the wiring rules and the appliance must be earthed in conformity with national electrical safety standards.


 Do not use extension leads, multiple sockets or adapters. The electrical components must not be accessible to the user after installation. Do not use the appliance when you are wet or

barefoot. Do not operate this appliance if it has a damaged power cable or plug, if it is not working properly, or if it has been damaged or dropped.


 If the supply cord is damaged, it must be replaced with an identical one by the manufacturer, its service agent or similarly qualified persons in order to avoid a hazard - risk of electric shock.


 **WARNING:** The appliance and its accessible parts become hot during use. Care should be taken to avoid touching heating elements.


- Children less than 8 years of age shall be kept away unless continuously supervised.

 **WARNING:** Unattended cooking on a hob with fat or oil can be dangerous and may result in fire.

- NEVER try to extinguish a fire with water, but switch off the appliance and then cover flame e.g. with a lid or a fire blanket.

 **WARNING:** Danger of fire: do not store items on the cooking surfaces.

 If the surface is cracked, switch off the appliance to avoid the possibility of electric shock.

 **WARNING:** Ensure that the appliance is switched off and disconnected from the power supply before performing any maintenance operation.

 Risk of electric shock!

Never use steam cleaning equipment.

Do not use abrasive or corrosive products, chlorine-based cleaners or pan scourers. Metallic objects such as knives, forks, spoons and lids should not be placed on the hob surface since they can get hot.

CAUTION: the appliance is not intended to be operated by means of an external switching device, such as a timer, or separate remote controlled system.


- Danger of fire: Do not store items on the cooking surfaces.

CAUTION: The cooking process has to be supervised. A short term cooking process has to be supervised continuously.

DISPOSAL OF THE HOUSEHOLD APPLIANCES

This appliance is manufactured with recyclable or reusable materials. Dispose of it in accordance with local waste disposal regulations. For further information on the treatment, recovery and recycling of household electrical appliances, contact your local authority, the collection service for household waste or the store where you purchased the appliance. This appliance is marked in compliance with European Directive 2012/19/EU, Waste Electrical and Electronic Equipment (WEEE).

By ensuring this product is disposed of correctly, you will help prevent negative consequences for the environment and human health.

The symbol  on the product or on the accompanying documentation indicates that it should not be treated as domestic waste but must be taken to an appropriate collection center for the recycling of electrical and electronic equipment.

DISPOSAL OF PACKAGING MATERIALS

The various parts of the packaging must be disposed of responsibly and in full compliance with local authority regulations governing waste disposal.

ENERGY SAVING TIPS

Make the most of your hot plate's residual heat by switching it off a few minutes before you finish cooking.

The base of your pot or pan should cover the hot plate completely.

A container that is smaller than the hot plate will cause energy to be wasted.

Cover your pots and pans with tight-fitting lids while cooking and use as little water as possible. Cooking with the lid off will greatly increase energy consumption.

INSTALLATION

All operations relative to installation (electric connection) should be carried out by skilled personnel in conformity with the rules in force.

Do not stare at the halogen lamp.

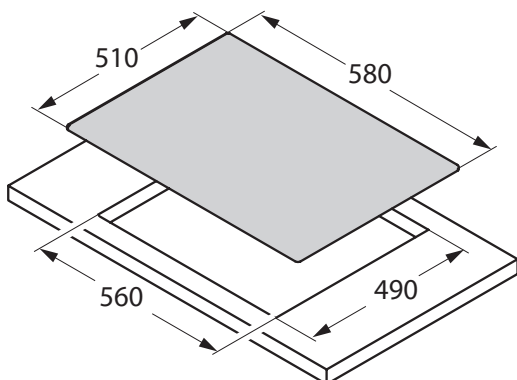
These Instructions are for the qualified technician, as a guide to the installation, adjustment and maintenance, according to the laws and standards in force. Any of these operations must always be carried out when the appliance has been disconnected from the electric system.

The appliance is not intended for use with an external timer or a separate remote control system.

POSITIONING

The appliance can be fitted into a working area as illustrated on the figures (Fig. 1a and Fig. 1b). Apply the seal supplied over the whole perimeter of the working area.

FRSM 603 C TD BK / FRSM 604 C T BK



FRSM 604 C T XS

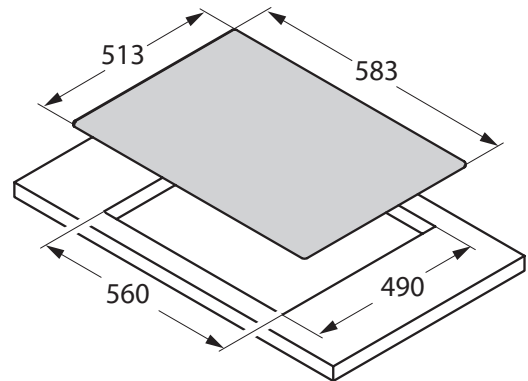


Fig. 1b

Fig. 1a

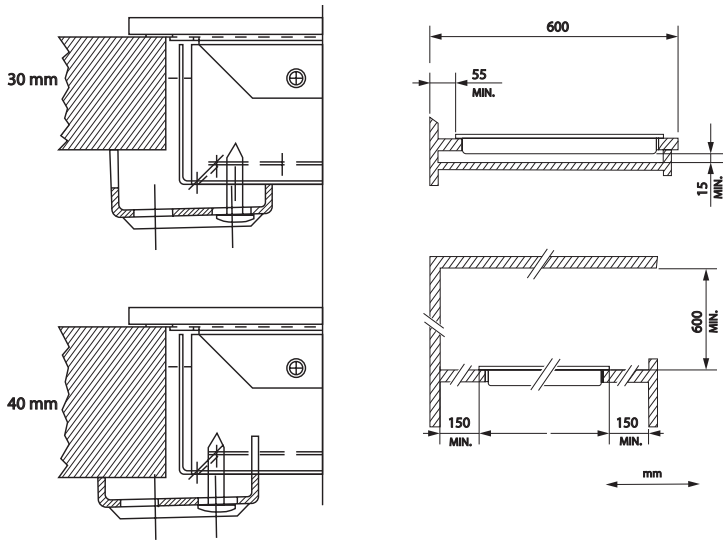


Fig. 2

ELECTRICAL CONNECTION

Prior to carrying out the electrical connection, please ensure that:

- the plant characteristics are such as to follow what is indicated on the data plate placed at the bottom of the working area;
- that the plant is fitted with an efficient earth connection, following the standards and law provisions in force.

The earth connection is compulsory in terms of the law.

Should there be no cable and/or plug on the equipment, use suitable absorption material for the working temperature as well, as indicated on the data plate.

If connecting directly to the mains power supply, fit a multi-pole switch of a suitable size for the rated capacity with a clearance distance which completely disconnects the power line under overvoltage category III conditions, consistently with the rules of installation (yellow/green earth wire must not be interrupted).

The plug or omnipolar switch must be easily reached on the installed equipment.

Under no circumstance must the cable reach a temperature above 50 °C of the ambient temperature.

NOTE: Make sure the characteristics of your household electrical power supply (voltage, maximum output and current) are compatible with those of your FRANKE hob.

THE POWER CABLE MUST ONLY BE REPLACED BY A QUALIFIED ELECTRICIAN.

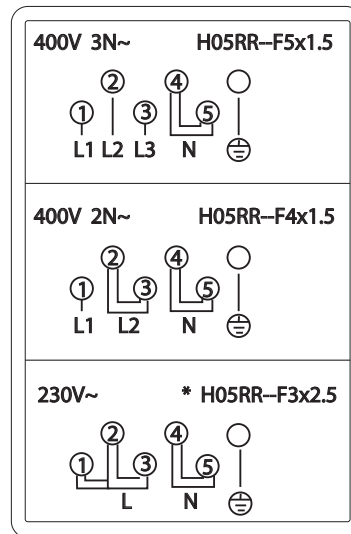
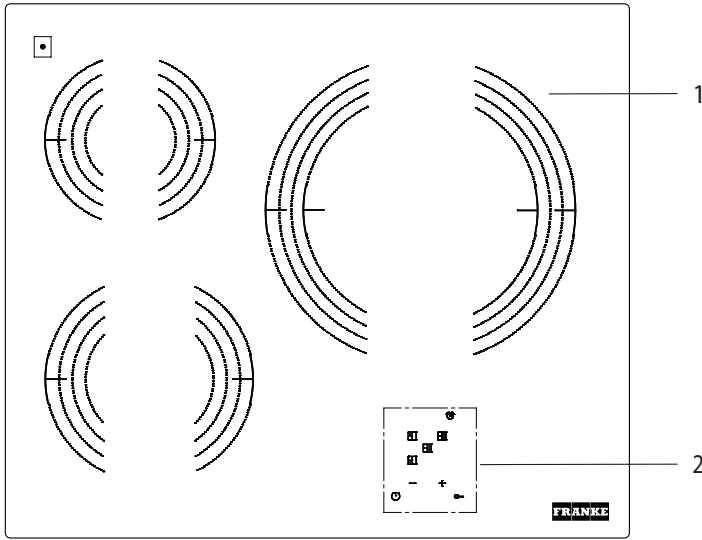


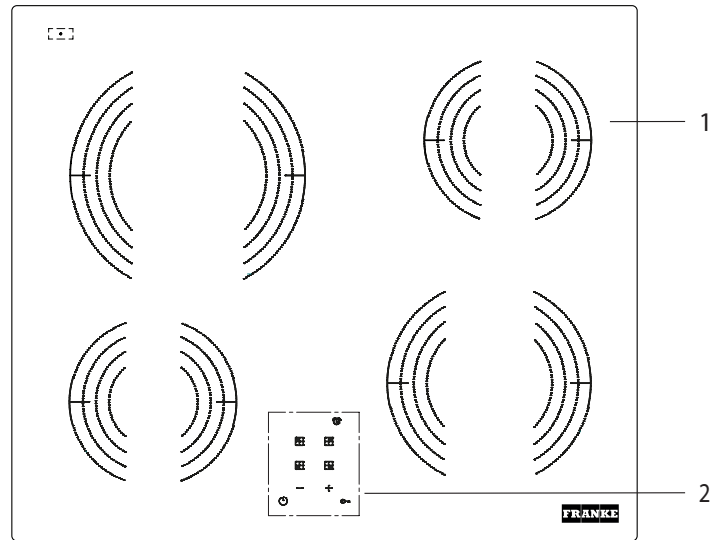
Fig. 3 Considering contemporaneity factor

OVERVIEW

FRSM 603 C TD



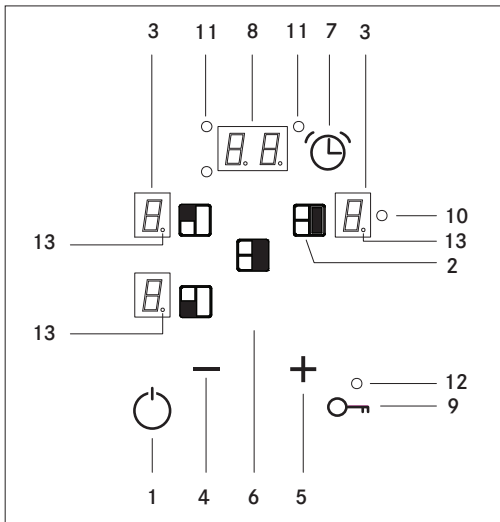
FRSM 604 C T



- 1. Cooktop
- 2. Control panel

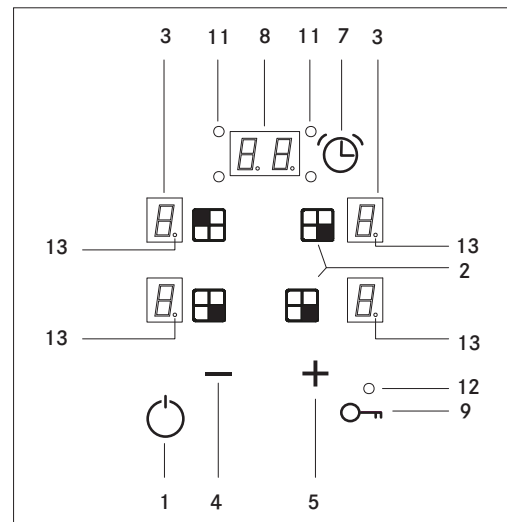
CONTROL PANEL

FRSM 603 C TD



- 1. Power ON/ Power OFF
- 2. Cooking zone
- 3. Setting display
- 4. Minus
- 5. Plus
- 6. Dual circuit only for FRSM 603 C TD
- 7. Timer

FRSM 604 C T



- 8. Timer display
- 9. Lock function
- 10. Dual circuit indicator light
- 11. Timer indicator lights
- 12. Lock indicator light
- 13. Decimal point

TOUCH SENSITIVE KEYS

All operations can be performed using touch sensitive keys (optical sensors) located on the front of the control panel; each key has a corresponding display.

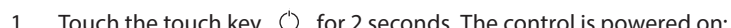
Each activity is confirmed by a beep.

DAILY USE

TOUCH CONTROL HEATING ELEMENTS

TOUCH CONTROL	HEAT INTENSITY
1	weak
2-3	gentle
4	slow
5-6	medium
7-8	strong
9	bright

SWITCHING ON A COOKING ZONE

1. Touch the touch key  for 2 seconds. The control is powered on: the power level indicators (3) show 0.
 2. Perform the next operation within 10 seconds, otherwise the device will switch off automatically.
- Press the key (2) corresponding to the cooking zone. The relative display will show 0 flashing, indicating that the zone is on.
 - Set the power level (1 to 9) using the keys **+** and **-** (5/4). The keys **+** and **-** have a repeater function, i.e. holding these keys pressed will increase or reduce the setting by one unit every 0.3 second.

FUNCTIONS

DUAL CIRCUIT COOKING ZONE (ONLY MODEL FRSM 603 C TD)

The cooking zone may be equipped with a dual circuit, e.g. a central disc and an outer ring. You can either use the central zone alone or both zones together and thus adapt the cooking area to suit the size of the pan.

SWITCHING ON A DUAL CIRCUIT COOKING ZONE (ONLY MODEL FRSM 603 C TD)

The relative zone must be on.

- Select the desired power level (1 to 9).
- Switch on the second circuit by pressing the dual circuit key (6).

The indicator light (10) of the selected zone will illuminate; the second circuit is switched on together with the first.

SWITCHING OFF THE SECOND CIRCUIT OF A DUAL CIRCUIT COOKING ZONE (ONLY MODEL FRSM 603 C TD)

The dual circuit zone must be on.

Touch the dual circuit key (6).

The indicator light (10) goes out and the second circuit is switched off.

NOTE: The first time that the hob is connected to the power supply, the KeyLock function will be inserted. Press button (9) to deactivate it and start using the product.

Only one cooking zone may be switched on at a time, so only one hob zone is flashing at a time.

SWITCHING OFF A COOKING ZONE

The cooking zone must be on.

Reduce the power level to 0 by pressing (4). After 10 seconds the cooking zone will switch off automatically.

RAPID SWITCH OFF

The cooking zone must be on.

Press keys **+** and **-** (5/4) simultaneously and the zone will switch off immediately.

RESIDUAL HEAT INDICATORS

While the cooking zone is still hot enough to cause burns, the corresponding display shows the symbol **H** (residual heat). The symbol only disappears when the temperature falls below 60° C and there is no longer any risk of burns.

The display shows 0 as long as temperature remains below 60° C, switching to H only when the temperature rises above 60° C.

- Switch off the cooking zone before cooking is completed in order to make use of the residual heat to save energy.

The residual heat indicator **H** will go out if the power supply is interrupted. The appliance may be switched off at any time by pressing the power key (1).

APPLIANCE LOCK FUNCTION

The entire appliance may be locked to prevent unintentional operation by pressing the lock key (9). This also serves a child safety function.

If the lock function is not deactivated before the appliance is switched off, it will still be active when the appliance is next switched on.

While the lock function is activated, operating the keys will have no effect.

AUTOMATIC SAFETY SWITCH OFF

If one or more cooking areas are inadvertently left on, the control automatically turns them off or reduces their power after a certain period of time.

In case of an automatic safety shut-off, the display shows the symbol **H**, or **Fc** flashing.

To prevent automatic switch off, simply touch the zone selection key or the **+** and **-** keys before the time limit expires.

AUTOMATIC PRE-HEATING

This function simplifies the cooking process as it obviates the need for human intervention.

The cooking zone is first preheated at maximum power to rapidly bring the zone up to the cooking temperature after which the power is automatically reduced to the preset level (Tab. 1).

POWER LEVEL	AUTOMATIC PRE-HEATING FUNCTION
1	1' 11"
2	2' 44"
3	4' 47"
4	5' 28"
5	6' 29"
6	1' 11"
7	2' 44"
8	2' 44"
9	-

ACTIVATING THE AUTOMATIC PREHEATING FUNCTION

- Select the cooking zone by pressing key (2).
- Select power level 9 using the **—** key. Then select level 9 with a decimal point, using the **+** key.
- Select the desired power level, e.g. 6, using the **—** key. In automatic preheating mode, the cooking zone display will alternately show the set level (6) with a decimal point (13).

CHANGING THE POWER LEVEL SETTING DURING AUTOMATIC PREHEATING

The relative cooking zone must be on. The decimal point (13) on the corresponding display must be lit up.

The heating value can only be increased with the **+** key. If the level is increased, the new preheating time will be calculated taking account the time elapsed since the previous setting.

Example: Level 1 is the first selected, corresponding to a preheating time of 1' 11".

After 30", the power level is increased to 4, which requires a preheating time of 5' 28".

After changing the level, the automatic preheating will last a further 4'58" (5' 28" - 30 = 4'58").

DEACTIVATING THE AUTOMATIC PREHEATING FUNCTION

The relative zone must be on.

The decimal point (13) on the corresponding display must be lit up.

- Press **—** (4) after the function has been activated for at least 10 seconds.

TIMER FUNCTION

This automatic function also obviates the need for human intervention during the entire cooking cycle. The cooking zone is automatically switched off after the set time period.

ACTIVATION OF THE TIMER FUNCTION

The zone to be programmed must be on.

- Select a level between 1 and 9.
- Press the timer key (7), the timer display will show 00.
- Select the cooking time (from 0 to 99 minutes) using keys **+** and **—** (5 and 4). The timer function is automatically activated within a few seconds.

The indicator light (11) corresponding to the programmed zone illuminates.

- Hold pressed the **+** or **—** keys to rapidly adjust the cooking time.

The timer function applies to all hob zones.

CHANGING A PREVIOUSLY SET COOKING TIME

The programmed cooking time may be changed at any time.

The relative zone must be on.

The corresponding display flashes together with the LED corresponding to the zone timer (11).

- Press the timer key (7).
- Set a new cooking time using the keys **+** and **—** (5 and 4).
- Hold pressed the **+** or **—** keys to rapidly adjust the cooking time

TURNING THE TIMER FUNCTION OFF

When the set cooking time has elapsed, an audible signal sounds for 2 minutes. To interrupt the signal, simply press any key.

The cooking zone is now switched off.

If you want to interrupt the timer before the programmed time period has elapsed, the relative zone must be on.

- Press the timer key (7).
- Zero the time by pressing **—** (4).

The timer is now deactivated but the cooking zone will remain on until it is switched off manually.

RAPID SWITCH OFF

1. The relative zone must be on.
2. Press keys **+** and **—** (5 and 4) simultaneously; the cooking zone is switched off immediately. The timer will also be deactivated.

CLEANING AND MAINTENANCE

First of all remove stray food bits and grease drops from the cooking surface with the special scraper (Fig. 3).

Then clean with specific products for vitroceramic cooking surfaces with a paper towel, then rinse with water and dry with a clean cloth.

Pieces of aluminum foil and plastic material which have inadvertently melted or sugar remains or highly sacchariferous food have to be removed immediately from the hot cooking area with the special scraper (Fig. 4).

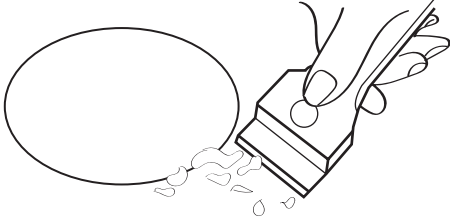


Fig. 4

This is to avoid any possible damage to the surface of the top.

Under no circumstances should abrasive sponges or irritating chemical detergents be used such as spot removers.

DO NOT USE STEAM CLEANERS.

When one makes use of heating elements, we advise receptacles with flat bottom (Fig. 5) having same diameter or lightly higher than that of the hot area.

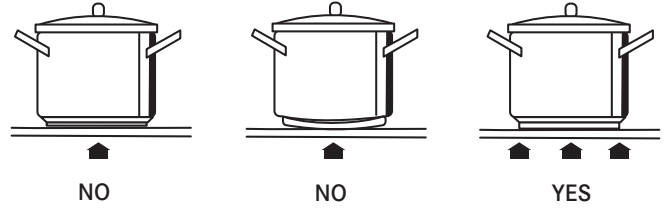


Fig. 5

- Avoid overflows of liquid, therefore when boiling happens, or in any case when liquid is heated, reduce the heat supply.
- Don't leave the heating elements on without receptacles on the top or with void pots and pans.

If there is even a slight crack in the cooking surface, immediately disconnect the power supply to avoid the possibility of electric shock.

TECHNICAL DATA

HEATING ELEMENTS	NOMINAL POWER
single circuit radiant Ø 210 (FRSM 604 C T)	2100 W
single circuit radiant Ø 140 (FRSM 603 C TD / 2 x FRSM 604 C T)	1200 W
single circuit radiant Ø 180 (FRSM 603 C TD)	1700 W
single circuit radiant Ø 180 (FRSM 604 C T)	1700 W
double circuit radiant Ø 210/270 (FRSM 603 C TD)	1500/2400 W

SUPPORT

In the event of any operation problems, contact a Franke Technical Service Centre.

Never use the services of unauthorised technicians.

When contacting the customer service, please provide the following information:

- the type of fault
- the appliance model (Art./Cod.)
- the serial number (S.N.)

This information is given on the data plate. The data plate is attached on the bottom side.

You must also have proof of purchase if you're still within the warranty period.



WWW.FRANKE.COM

© Franke Technology and Trademark Ltd., Switzerland

INHALTSVERZEICHNIS

SICHERHEITSHINWEISE.....	14
INSTALLATION.....	15
ELEKTRISCHER ANSCHLUSS.....	16
ÜBERSICHT	17
TÄGLICHER GEBRAUCH	18
FUNKTIONEN	18
REINIGUNG UND PFLEGE.....	20
TECHNISCHE DATEN	20
SUPPORT	20


Lesen Sie die Gebrauchsanweisung vor dem erstmaligen Gebrauch des Produkts.

Der Hersteller haftet nicht für etwaige Schäden, die durch fehlerhafte Installation und falschen, unsachgemäßen oder unangemessenen Gebrauch entstehen können.

Für den sicheren und effizienten Betrieb dieses Elektrogeräts:

Kontaktieren Sie nur autorisierte Kundendienststellen. Nehmen Sie keine Änderungen an den Gerätefunktionen vor.


Dieses Gerät ist nicht für die Verwendung durch Personen (einschließlich Kindern) mit eingeschränkten körperlichen, sensorischen oder geistigen Fähigkeiten oder Mangel an Erfahrung oder Kenntnissen vorgesehen, sofern sie nicht beaufsichtigt werden oder im Gebrauch des Geräts unterwiesen wurden.


 Dieses Gerät darf von Kindern ab 8 Jahren, von Personen mit eingeschränkten körperlichen, sensorischen oder geistigen Fähigkeiten sowie von Personen mit wenig Erfahrung und Wissen zum Gerät bedient werden, wenn sie beaufsichtigt werden oder zuvor in der sicheren Nutzung des Geräts unterwiesen worden sind und die damit verbundenen Gefahren verstanden haben.


Kinder dürfen nicht mit dem Gerät spielen.


Unbeaufsichtigte Kinder dürfen das Gerät nicht reinigen oder warten.

Kinder sind zu beaufsichtigen, um sicherzugehen, dass sie nicht mit dem Gerät spielen.


 Es muss möglich sein, das Gerät vom Stromnetz zu trennen – entweder durch Ausstecken, sofern der Stecker erreichbar ist, oder über einen der Steckdose vorgeschalteten und ordnungsgemäß verkabelten Mehrfachschalter. Außerdem muss das Gerät gemäß nationalen Elektrizitätssicherheitsvorschriften geerdet sein.

 Verwenden Sie keine Verlängerungskabel, Mehrfachsteckdosen oder Adapter. Nach der Installation dürfen die elektrischen Komponenten nicht für den Anwender zugänglich sein. Bedienen Sie das Gerät nicht, wenn Sie nass oder barfuß sind. Nehmen Sie das Gerät nicht in Betrieb, wenn Netzkabel oder -stecker beschädigt sind, es nicht ordnungsgemäß funktioniert, beschädigt oder fallen gelassen wurde.


 Falls das Netzkabel beschädigt ist, muss es durch den Hersteller, dessen Kundendienstvertreter oder Personen mit ähnlicher Qualifikation gegen ein identisches ausgetauscht werden, um Gefahren durch Stromschlag zu vermeiden.


 **WARNUNG:** Das Gerät und dessen zugängliche Teile erhitzen sich während der Verwendung. Es sollte sorgfältig vermieden werden, Heizelemente zu berühren.


- Kinder unter 8 Jahren dürfen sich dem Gerät nur unter Aufsicht nähern.

 **WARNUNG:** Unbeaufsichtigtes Erhitzen von Fett oder Öl auf einem Kochfeld kann gefährlich sein und Feuer verursachen.

- Löschen Sie einen Brand NIEMALS mit Wasser. Schalten Sie stattdessen das Gerät aus und bedecken Sie die Flamme z.B. mit einem Deckel oder einer Löschdecke.

 **WARNUNG:** Feuergefahr: Lagern Sie keine Gegenstände auf den Kochflächen.

 Weist die Oberfläche Sprünge oder Risse auf, schalten Sie das Gerät aus, um einen Stromschlag zu vermeiden.

 **WARNUNG:** Vergewissern Sie sich vor der Durchführung jeglicher Wartungsarbeiten, dass

das Gerät ausgeschaltet und vom Stromnetz getrennt ist.

! Stromschlaggefahr!

Verwenden Sie keinen Dampfreiniger.

Verwenden Sie keine scheuernden oder ätzenden Produkte, Reinigungsmittel auf Chlor-Basis oder Stahlwolle. Legen Sie keine Metallgegenstände wie Messer, Gabeln, Löffel und Deckel auf dem Kochfeld ab, da sie heiß werden können.

! VORSICHT: Das Gerät ist nicht für den Betrieb über eine externe Schaltungsvorrichtung – etwa eine Zeitschaltuhr – oder über ein separat gesteuertes System ausgelegt.

- Feuergefahr: Lagern Sie keine Gegenstände auf den Kochflächen.

! VORSICHT: Der Kochvorgang muss beaufsichtigt werden. Ein kurzzeitiger Kochvorgang muss kontinuierlich überwacht werden.

INSTALLATION

Sämtliche Installationsarbeiten (elektrischer Anschluss) sind von geschultem Personal gemäß den geltenden Vorschriften durchzuführen. Starren Sie nicht auf die Halogenlampe.

Diese Anweisungen dienen qualifizierten Technikern als Anleitung für die Installation, Anpassung und Wartung gemäß den geltenden Gesetzen und Vorschriften. Jegliche dieser Arbeiten dürfen nur dann ausgeführt werden, wenn das Gerät vom Stromnetz getrennt wurde.

Das Gerät ist nicht für den Gebrauch mit einer externen Zeitschaltuhr oder einem separaten Fernsteuerungssystem ausgelegt.

POSITIONIERUNG

Das Gerät kann in den Arbeitsbereich laut der Abbildung (Abb. 1a und Abb. 1b) eingebaut werden. Tragen Sie die mitgelieferte Dichtung am gesamten Umfang des Kochfelds auf.

FRSM 603 C TD BK / FRSM 604 C T BK

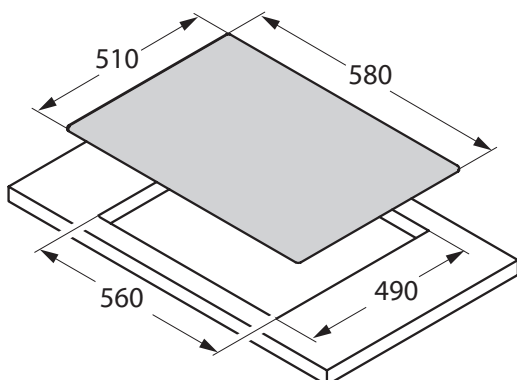



Abb. 1a

ENTSORGUNG VON HAUSHALTSGERÄTEN

Dieses Gerät wurde aus recyclingfähigen oder wiederverwertbaren Materialien hergestellt. Entsorgen Sie es gemäß den lokalen Vorschriften der Müllentsorgung. Wenden Sie sich an Ihre lokale Behörde, das Hausmüll-Entsorgungsunternehmen oder das Geschäft, in dem Sie das Gerät gekauft haben, um nähere Informationen über die Behandlung, Verwertung und das Recycling von elektrischen Haushaltsgeräten einzuholen. Dieses Gerät wurde entsprechend der europäischen Richtlinie 2012/19/EU über Elektro- und Elektronik-Altgeräte gekennzeichnet.

Durch ordnungsgemäße Entsorgung dieses Geräts leisten Sie einen wichtigen Beitrag zum Umweltschutz und zur menschlichen Gesundheit. Das Symbol  am Produkt oder auf der beigelegten Dokumentation weist darauf hin, dass es nicht mit dem Hausmüll, sondern nur in einem geeigneten Sammel- und Recyclingzentrum für Elektro- und Elektronikgeräte entsorgt werden darf.

ENTSORGUNG VON VERPACKUNGSMATERIAL

Die verschiedenen Verpackungselemente müssen verantwortungsvoll und gemäß lokalen Abfallentsorgungsvorschriften entsorgt werden.

ENERGIESPARTIPPS

Nutzen Sie Restwärme bestmöglich aus, indem Sie heiße Kochzonen bereits ein paar Minuten vor dem Ende des Kochvorgangs ausschalten.

Der Boden Ihres Topfes oder Ihrer Pfanne sollte die heiße Kochzone vollständig abdecken.

Kochbehältnisse, die kleiner als die heiße Kochzone sind, führen zu Energieverschwendung.

Bedecken Sie Ihre Töpfe und Pfannen während des Kochvorgangs mit fest sitzenden Deckeln und verwenden Sie so wenig Wasser wie möglich. Beim Kochen ohne Deckel steigt der Energieverbrauch signifikant an.

FRSM 604 C T XS

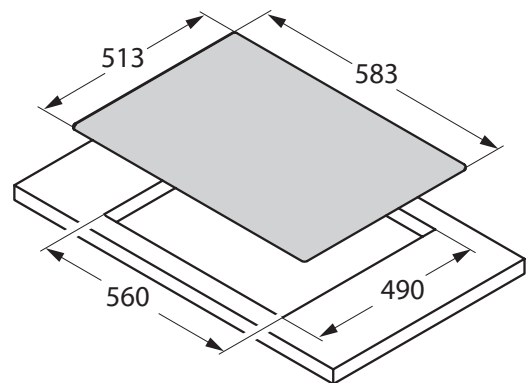


Abb. 1b

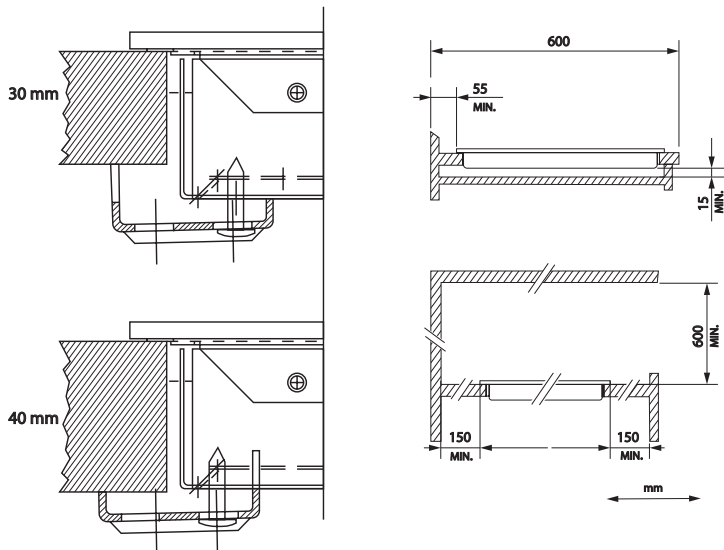


Abb. 2

ELEKTRISCHER ANSCHLUSS

Vergewissern Sie sich vor dem elektrischen Anschluss, dass:

- die Geräteeigenschaften den Angaben auf dem Typenschild unten am Kochfeld entsprechen;
- das Gerät über eine effiziente Masseverbindung gemäß den geltenden Normen und gesetzlichen Vorschriften verfügt.

Eine Masseverbindung ist gesetzlich vorgeschrieben. Falls kein Kabel und/oder Stecker am Gerät vorhanden ist, verwenden Sie auch für die Betriebstemperatur ein geeignetes Absorptionsmaterial gemäß den Angaben auf dem Typenschild. Das Kabel darf keinesfalls eine Temperatur über 50 °C der Umgebungstemperatur erreichen.

Bringen Sie bei direktem Anschluss an das Hauptstromnetz einen Mehrfachschalter in einer für die Nennleistung geeigneten Größe (mit einem Sicherheitsabstand) an, der die Stromleitung bei einer Überspannung der Kategorie III komplett trennt. Beachten Sie dazu die Installationsanweisungen (das gelbe/grüne Massekabel darf nicht unterbrochen werden).

Der Stecker oder Mehrfachschalter muss am installierten Gerät leicht zugänglich sein.

Die Hersteller übernehmen keinerlei Haftung im Falle von Nichtbeachtung und Nichteinhaltung der oben angeführten Bestimmungen und Vorkehrungen zur Unfallprävention.

Um sämtliche Gefahren zu vermeiden, darf ein etwaig beschädigtes Netzkabel ausschließlich durch den Hersteller, ein autorisiertes Kundendienstzentrum oder einen qualifizierten Elektriker ausgetauscht werden.

HINWEIS: Stellen Sie sicher dass die Eigenschaften des elektrischen Haussystems (Spannung, maximale Leistung und maximale Stromstärke) mit denen des Geräts kompatibel sind.

DAS NETZKABEL DARF NUR DURCH EINEN QUALIFIZIERTEN ELEKTRIKER AUSGETAUSCHT WERDEN.

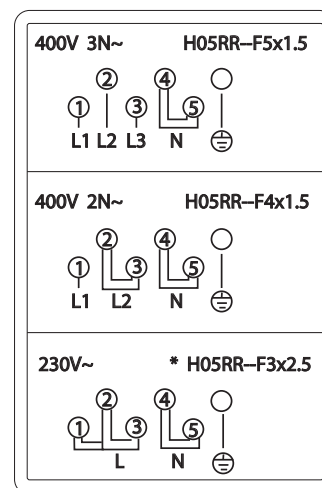
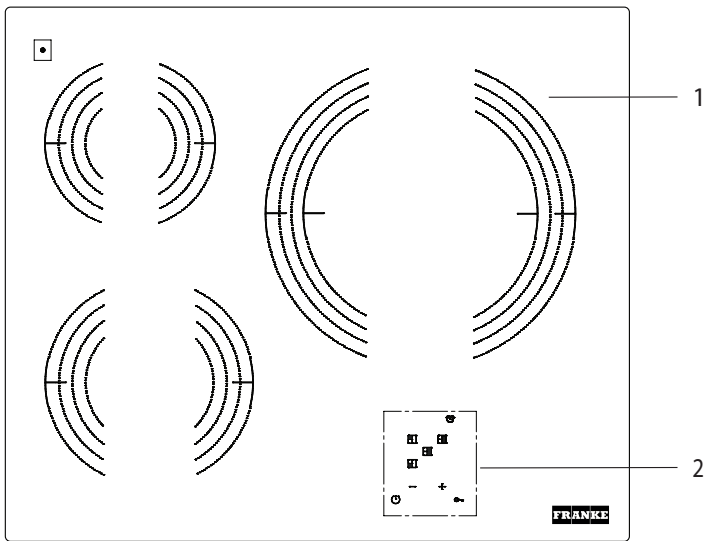


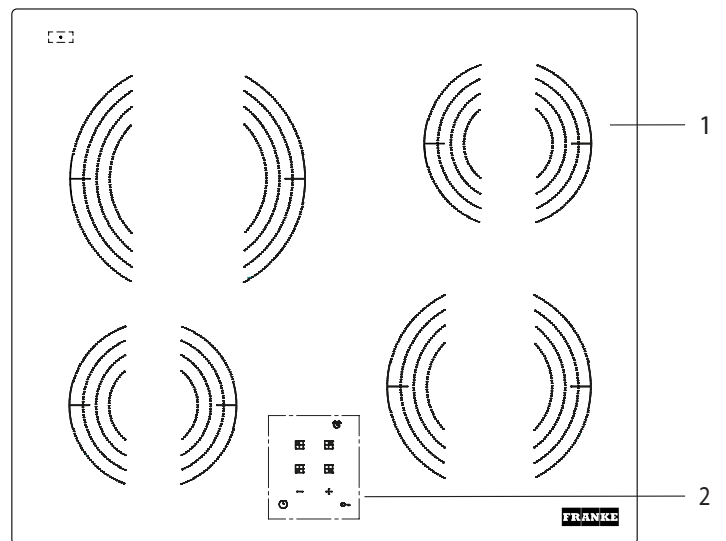
Abb. 3 Unter Berücksichtigung des Gleichzeitigkeitsfaktors

ÜBERSICHT

FRSM 603 C TD



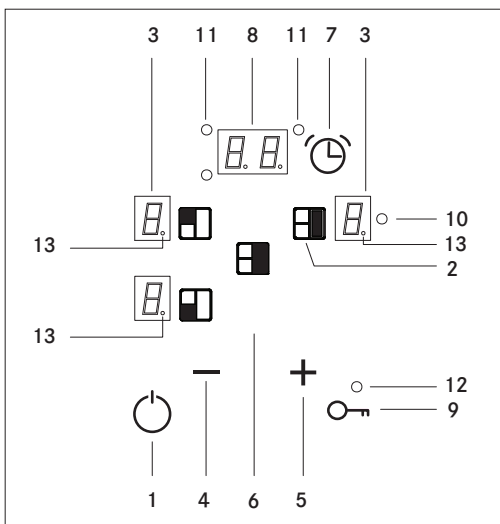
FRSM 604 C T



1. Kochfeld
2. Bedienfeld

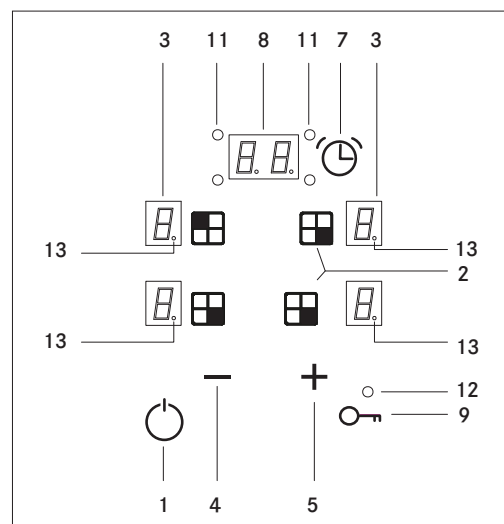
BEDIENFELD

FRSM 603 C TD



1. EIN-/AUS-Taste
2. Kochzone
3. Einstelldisplay
4. Minus
5. Plus
6. Zweikreis-Funktion nur für FRSM 603 C TD
7. Timer

FRSM 604 C T



8. Timerdisplay
9. Sperrfunktion
10. Zweikreis-Anzeigeleuchte
11. Timer-Anzeigeleuchte
12. Sperren-Anzeigeleuchte
13. Dezimalkomma

BERÜHRUNGSEMPFINDLICHE TASTEN

Alle Vorgänge können mit den berührungsempfindlichen Tasten (optische Sensoren) an der Vorderseite des Bedienfelds ausgeführt werden; jede Taste ist einem Display zugeordnet.

Jeder Vorgang wird durch einen Signalton bestätigt.

HINWEIS: Beim erstmaligen Anschließen des Kochfelds an die Stromversorgung wird die Tastensperrfunktion aktiviert.

Drücken Sie Taste (9), um sie zu deaktivieren und das Gerät in Betrieb zu nehmen.

TÄGLICHER GEBRAUCH

HEIZELEMENTE MIT TOUCH-BEDIENUNG

TOUCH-BEDIENUNG	WÄRMEINTENSITÄT
1	schwach
2-3	schonend
4	langsam
5-6	mittel
7-8	stark
9	äußerst stark

EINSCHALTEN EINER KOCHZONE

1. Drücken Sie die Touch-Taste  für 2 Sekunden.

Die Steuerung wird aktiviert: Auf den Leistungsstufenanzeigen (3) wird 0 angezeigt.

2. Führen Sie den nächsten Schritt innerhalb von 10 Sekunden durch, andernfalls schaltet sich das Gerät automatisch aus.

- Drücken Sie die Taste (2) für die entsprechende Kochzone. Das zugehörige Display zeigt eine blinkende 0 an. Dies bedeutet, dass die Kochzone eingeschaltet ist.
- Stellen Sie die Leistungsstufe (1 bis 9) mit den Tasten **+** und **-** (5/4) ein.
- Die Tasten **+** und **-** verfügen über eine Wiederholungsfunktion, d.h. beim Gedrückthalten dieser Tasten wird die Einstellung alle 0,3 Sekunden um eine Einheit erhöht oder verringert.

Kochzonen können nur nacheinander und nicht gleichzeitig eingeschaltet werden. Daher blinkt immer nur eine Kochzone auf.

AUSSCHALTEN EINER KOCHZONE

Die Kochzone muss eingeschaltet sein.

Setzen Sie die Leistungsstufe auf 0 herab; drücken Sie dazu (4).

Nach 10 Sekunden schaltet sich die Kochzone automatisch aus.

SCHNELLES AUSSCHALTEN

Die Kochzone muss eingeschaltet sein.

Drücken Sie die Tasten **+** und **-** (5/4) gleichzeitig. Die Kochzone schaltet sich sofort aus.

RESTWÄRMEANZEIGE

Wenn die Kochzone noch immer so heiß ist, dass Verbrennungsgefahr besteht, wird am zugehörigen Display das Symbol **H** (Restwärme) angezeigt.

Das Symbol verschwindet nur, wenn die Temperatur unter 60 °C fällt und keine Verbrennungsgefahr mehr besteht.

Wenn die Temperatur unter 60 °C bleibt, zeigt das Display stets 0 an. Nur, wenn die Temperatur über 60 °C steigt, schaltet es auf H um.

- Schalten Sie die Kochzone vor dem Ende des Kochvorgangs aus, um die Restwärme zu nutzen und Energie zu sparen.

Die Restwärmeanzeige **H** erlischt, wenn die Stromversorgung unterbrochen wird.

Das Gerät kann jederzeit durch Drücken der EIN-/AUS-Taste (1) ausgeschaltet werden.

FUNKTIONEN

ZWEIKREIS-KOCHZONE (NUR MODELL FRSM 603 C TD)

Die Kochzone kann mit einem Zweikreis ausgestattet sein, z.B. mit einer Zentralscheibe und einem Außenring.

Sie können entweder die mittlere Kochzone alleine oder beide Kochzonen zusammen verwenden und somit die Kochfläche an die Topfgröße anpassen.

EINSCHALTEN EINER ZWEIKREIS-KOCHZONE (NUR MODELL FRSM 603 C TD)

Die entsprechende Kochzone muss eingeschaltet sein.

- Wählen Sie die gewünschte Leistungsstufe (1 bis 9).
- Schalten Sie den zweiten Kreis durch Drücken der Zweikreis-Taste (6) ein.

Die Anzeigeluchte (10) der gewählten Kochzone leuchtet auf; der zweite Kreis wird zusammen mit dem ersten eingeschaltet.

AUSSCHALTEN DES ZWEITEN KREISES EINER ZWEIKREIS-KOCHZONE (NUR MODELL FRSM 603 C TD)

Die Zweikreis-Kochzone muss eingeschaltet sein.

Drücken Sie die Zweikreis-Taste (6).

Die Anzeigeluchte (10) erlischt und der zweite Kreis wird ausgeschaltet.

SPERRFUNKTION FÜR DAS GERÄT

Das gesamte Gerät kann durch Drücken der Sperrtaste (9) gesperrt werden, um unbeabsichtigten Betrieb zu verhindern. Dies dient auch als Kindersperre.

Wenn die Sperrfunktion vor dem Ausschalten des Geräts nicht deaktiviert wird, ist sie beim nächsten Einschalten des Geräts immer noch aktiv.

Bei aktivierter Sperrfunktion hat das Drücken der Tasten keinerlei Auswirkungen.

AUTOMATISCHE SICHERHEITSABSCHALTUNG

Wenn eine oder mehrere Kochzonen unabsichtlich eingeschaltet bleiben, schaltet die Steuerung diese automatisch ab oder reduziert ihre Leistung nach einer bestimmten Zeit.

Bei einer automatischen Sicherheitsabschaltung blinkt am Display das Symbol **H** oder **Fc** auf.

Um eine automatische Abschaltung zu verhindern, drücken Sie vor Zeitablauf die Kochzonen-Auswahltaste oder die Tasten **+** und **-**.

AUTOMATISCHES VORHEIZEN

Diese Funktion vereinfacht den Kochvorgang, da sie ein Eingreifen durch den Bediener obsolet macht.

Die Kochzone wird zunächst auf höchster Leistungsstufe vorgeheizt, damit die Kochtemperatur schnell erreicht wird. Danach wird die Leistung automatisch auf die voreingestellte Stufe reduziert (Tab. 1).

LEISTUNGSSTUFE	AUTOMATISCHE VORHEIZFUNKTION
1	1' 11"
2	2' 44"
3	4' 47"
4	5' 28"
5	6' 29"
6	1' 11"
7	2' 44"
8	2' 44"
9	-

AKTIVIEREN DER AUTOMATISCHEN VORHEIZFUNKTION

- Wählen Sie die Kochzone durch Drücken der Taste (2) aus.
- Wählen Sie die Leistungsstufe 9 mit der Taste **-**. Wählen Sie anschließend Stufe 9 mit einem Dezimalkomma; verwenden Sie dazu die Taste **+**.
- Wählen Sie die gewünschte Leistungsstufe, z.B. 6, mit der Taste **-**.
- Im automatischen Vorheizmodus wird am Kochzonendisplay wechselweise die eingestellte Stufe (6) mit einem Dezimalkomma (13) angezeigt.

ÄNDERN DER LEISTUNGSSTUFENEINSTELLUNG WÄHREND DES AUTOMATISCHEN VORHEIZVORGANGS

Die entsprechende Kochzone muss eingeschaltet sein.

Das Dezimalkomma (13) muss am zugehörigen Display aufleuchten.

Die Hitze kann nur mit der Taste **+** erhöht werden.

Wenn die Stufe erhöht wird, wird die neue Vorheizdauer unter Einbeziehung der seit der vorherigen Einstellung verstrichenen Zeit berechnet.

Beispiel: Stufe 1 wird zunächst ausgewählt, was einer Vorheizdauer von 1' 11" entspricht.

Nach 30 Minuten wird die Leistungsstufe auf 4 erhöht, was eine Vorheizdauer von 5' 28" erfordert.

Nach dem Ändern der Stufe dauert der automatische Vorheizvorgang weitere 4' 58" (5' 28" - 30 = 4' 58").

DEAKTIVIEREN DER AUTOMATISCHEN VORHEIZFUNKTION

Die entsprechende Kochzone muss eingeschaltet sein.

Das Dezimalkomma (13) muss am zugehörigen Display aufleuchten.

- Drücken Sie **-** (4), nachdem die Funktion zumindest 10 Sekunden lang aktiviert war.

TIMER-FUNKTION

Diese Automatikfunktion macht außerdem ein Eingreifen durch den Bediener während des gesamten Kochvorgangs obsolet.

Die Kochzone schaltet sich automatisch nach der eingestellten Zeit aus.

AKTIVIERUNG DER TIMER-FUNKTION

Die zu programmierende Kochzone muss eingeschaltet sein.

- Wählen Sie eine Leistungsstufe zwischen 1 und 9.
- Drücken Sie die Timer-Taste (7). Das Timer-Display zeigt 00 an.
- Wählen Sie die Kochzeit (von 0 bis 99 Minuten) mit den Tasten **+** und **-** (5 und 4). Die Timer-Funktion wird automatisch in ein paar Sekunden aktiviert.

Die Anzeigeleuchte (11) der programmierten Kochzone leuchtet auf.

- Halten Sie die Taste **+** oder **-** gedrückt, um die Kochzeit schnell anzupassen.

Die Timer-Funktion kann bei allen Kochzonen angewendet werden.

ÄNDERN EINER ZUVOR EINGESTELLTEN KOCHZEIT

Die programmierte Kochzeit kann jederzeit geändert werden.

Die entsprechende Kochzone muss eingeschaltet sein.

Das zugehörige Display leuchtet zusammen mit der LED, die dem Kochzonen-Timer entspricht (11), auf.

- Drücken Sie die Timer-Taste (7).
- Stellen Sie eine neue Kochzeit mit den Tasten **+** und **-** (5 und 4) ein.
- Halten Sie die Taste **+** oder **-** gedrückt, um die Kochzeit schnell anzupassen

AUSSCHALTEN DER TIMER-FUNKTION

Nach Ablauf der eingestellten Kochzeit ertönt 2 Minuten lang ein akustisches Signal. Drücken Sie einfach eine beliebige Taste, um das Signal abzustellen.

Die Kochzone wird nun ausgeschaltet.

Wenn Sie den Timer vor Ablauf der eingestellten Zeit abstellen möchten, muss die zugehörige Kochzone eingeschaltet sein.

- Drücken Sie die Timer-Taste (7).
- Setzen Sie die Zeit auf Null, drücken Sie dazu **-** (4).

Der Timer ist nun deaktiviert, allerdings bleibt die Kochzone eingeschaltet, bis sie manuell ausgeschaltet wird.

SCHNELLES AUSSCHALTEN

1. Die entsprechende Kochzone muss eingeschaltet sein.
2. Drücken Sie die Tasten **+** und **-** (5 und 4) gleichzeitig. Die Kochzone schaltet sich sofort aus. Der Timer wird ebenfalls deaktiviert.

REINIGUNG UND PFLEGE

Entfernen Sie zuallererst mit dem Spezialkratzer (Abb. 4) Essensreste und Fettspritzer von der Kochoberfläche.

Reinigen Sie anschließend die Kochoberflächen mit speziellen Glaskeramik-Reinigungsmitteln und einem Papiertuch, spülen Sie sie mit Wasser ab und trocknen Sie sie mit einem sauberen Tuch.

Unabsichtlich geschmolzene Alufolien- und Plastikteile, Zuckerreste oder stark zuckerhaltige Lebensmittel sind sofort von der heißen Kochzone mit dem Spezialkratzer (Abb. 4) zu entfernen.

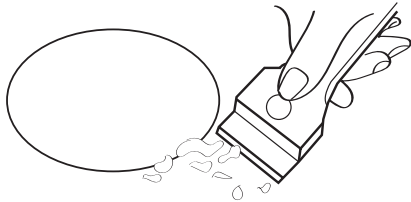


Abb. 4

So werden jegliche Schäden der Oberfläche verhindert. Scheuerschwämme oder reizende chemische Reinigungsmittel dürfen keinesfalls zum Entfernen von Flecken verwendet werden. VERWENDEN SIE KEINE DAMPFREINIGER.

Beim Verwenden der Heizelemente empfehlen wir Behälter mit flachem Boden (Abb. 5), die denselben oder einen etwas höheren Durchmesser als die Kochzone aufweisen.

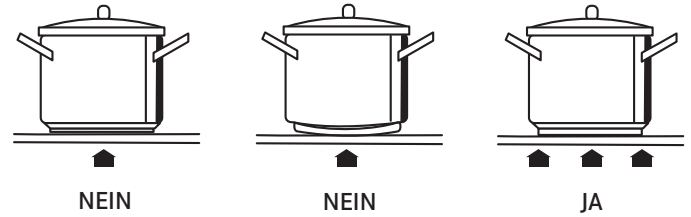


Abb. 5

- Vermeiden Sie das Überlaufen von Flüssigkeit – reduzieren Sie dazu die Wärmezufuhr nach dem Aufkochen oder zumindest dann, wenn die Flüssigkeit erwärmt ist.
- Lassen Sie die Heizelemente nicht eingeschaltet, wenn sich keine Behälter oder nur leere Töpfe und Pfannen auf ihnen befinden.

Trennen Sie das Gerät sofort vom Stromnetz, wenn Sie auch nur den kleinsten Sprung in der Kochoberfläche bemerken, um Gefahren durch Stromschlag vorzubeugen.

TECHNISCHE DATEN

HEIZELEMENTE	NENNLEISTUNG
Einkreis-Strahler Ø 210 (FRSM 604 C T)	2100 W
Einkreis-Strahler Ø 140 (FRSM 603 C TD / 2 x FRSM 604 C T)	1200 W
Einkreis-Strahler Ø 180 (FRSM 603 C TD)	1700 W
Einkreis-Strahler Ø 180 (FRSM 604 C T)	1700 W
Zweikreis-Strahler Ø 210/270 (FRSM 603 C TD)	1500/2400 W

SUPPORT

Wenden Sie sich bei Problemen mit der Bedienung an den technischen Kundendienst von Franke.

Greifen Sie nie auf die Dienste von nicht autorisierten Technikern zurück. Wenn Sie den Kundendienst benachrichtigen, halten Sie bitte folgende Informationen bereit:

- Art der Störung
- Gerätemodell (Art.)
- Seriennummer (S.N.)

Diese Angaben können Sie dem Typenschild entnehmen. Das Typenschild befindet sich auf der Unterseite.

Zudem müssen Sie den Kaufbeleg vorweisen, wenn die Gewährleistungsfrist noch nicht verstrichen ist.



WWW.FRANKE.COM

© Franke Technology and Trademark Ltd., Switzerland

SOMMAIRE

INFORMATIONS SUR LA SÉCURITÉ	22
INSTALLATION.....	23
BRANCHEMENT ÉLECTRIQUE.....	24
VUE D'ENSEMBLE	25
UTILISATION QUOTIDIENNE	26
FONCTIONS.....	26
NETTOYAGE ET ENTRETIEN.....	28
CARACTÉRISTIQUES TECHNIQUES.....	28
ASSISTANCE	28

Veuillez lire les instructions avant d'utiliser le produit pour la première fois.


Le fabricant ne peut être tenu pour responsable des dommages consécutifs à une mauvaise installation ou à une utilisation incorrecte, non conforme ou abusive de l'appareil.

Pour assurer un fonctionnement efficace et sûr de cet appareil électrique :

Contactez uniquement les centres de maintenance agréés.

Ne modifiez pas les fonctionnalités de l'appareil.


Cet appareil ne doit pas être utilisé par des personnes (y compris des enfants) aux capacités physiques, sensorielles ou mentales réduites, ou disposant d'une expérience ou de connaissances limitées, excepté sous la surveillance et les conseils d'une personne responsable de leur sécurité.


 Cet appareil peut être utilisé par des enfants à partir de 8 ans et des personnes dont les capacités physiques, sensorielles ou mentales sont réduites, ou dénués d'expérience ou de connaissances, s'ils sont surveillés ou s'ils ont reçu les instructions nécessaires à l'utilisation en sécurité de l'appareil et comprennent les risques inhérents à cette utilisation.


Ne laissez pas les enfants jouer avec l'appareil.


Le nettoyage et l'entretien à effectuer par l'utilisateur ne doivent pas être effectués par des enfants sans surveillance.

Les enfants doivent être surveillés afin de s'assurer qu'ils ne jouent pas avec l'appareil.


 Il doit être possible de débrancher l'appareil de l'alimentation électrique en le débranchant si la fiche est accessible, ou au moyen d'un interrupteur multipolaire posé en amont de la prise, conformément aux règles de câblage électrique, et l'appareil doit être mis à la terre conformément à la réglementation de sécurité électrique en vigueur dans le pays d'utilisation.

 N'utilisez pas de rallonges électriques, de multiprises ou d'adaptateurs. Les composants électriques ne doivent pas être accessibles à l'utilisateur après installation. N'utilisez pas l'appareil si vous êtes mouillé ou pieds nus. N'utilisez pas cet appareil si le câble ou la fiche d'alimentation sont endommagés, s'il ne fonctionne pas correctement, s'il a été endommagé ou s'il est tombé.


 Si le câble d'alimentation est endommagé, il doit être remplacé par un câble identique par le fabricant, son technicien agréé ou toute autre personne ayant une qualification semblable afin d'éviter un danger – risque de choc électrique.


 **AVERTISSEMENT** : l'appareil et ses parties accessibles deviennent très chauds pendant l'utilisation. Veillez à ne pas toucher les éléments chauffants.


- L'appareil doit être tenu hors de portée des enfants de moins de 8 ans sauf s'ils font l'objet d'une surveillance continue.

 **AVERTISSEMENT** : laisser cuire des aliments dans la graisse ou dans l'huile sans supervision sur une plaque de cuisson représente un danger et peut provoquer un incendie.

- N'essayez JAMAIS d'éteindre un incendie avec de l'eau, mais éteignez l'appareil et couvrez les flammes avec un couvercle ou une couverture anti-feu par exemple.

 **AVERTISSEMENT** : risque d'incendie ! N'entreposez pas d'objets sur les surfaces de cuisson


 Si la surface est fissurée, mettez l'appareil hors tension pour éviter le risque de choc électrique.

 **AVERTISSEMENT** : assurez-vous que l'appareil est hors tension et débranché de l'alimentation électrique avant toute opération d'entretien.


 **Risque d'électrocution !**

N'utilisez jamais d'appareils de nettoyage à la vapeur.

N'utilisez pas de produits abrasifs ou corrosifs, de détergents à base de chlore ou de tampons à récurer. Les objets métalliques tels que les couteaux, les fourchettes, les cuillères et les couvercles ne doit pas être placés sur la surface de cuisson qui peut être très chaude.

 **ATTENTION :** l'appareil n'est pas conçu pour être actionné au moyen d'un dispositif d'actionnement externe tel qu'un programmateur ou un système séparé de commande à distance.


- Risque d'incendie : n'entreposez d'objets sur les surfaces de cuisson.

 **ATTENTION :** Le processus de cuisson doit être surveillé. Tout processus de cuisson court doit être surveillé en continu.

ÉLIMINATION DES APPAREILS MÉNAGERS

Cet appareil est fabriqué au moyen de matériaux recyclables ou réutilisables. Il doit être éliminé dans le respect de la réglementation en matière d'élimination des déchets. Pour plus d'informations sur le traitement, la valorisation et le recyclage des équipements électriques domestiques, contactez les autorités locales, l'organisme de collecte des déchets ménagers ou le magasin où vous avez acheté l'appareil. Cet appareil porte le marquage DEEE conformément à la Directive européenne 2012/19/UE relative aux déchets d'équipements électriques et électroniques (DEEE).

En vous assurant que ce produit est éliminé correctement, vous contribuez à prévenir son impact négatif sur l'environnement et la santé humaine.

Le symbole  apposé sur le produit ou la documentation d'accompagnement indique qu'il ne doit pas être mêlé aux déchets domestiques mais doit être remis à un organisme de collecte chargé du recyclage des équipements électriques et électroniques.

ÉLIMINATION DES MATÉRIAUX D'EMBALLAGE

Les différentes parties de l'emballage doivent être éliminées de manière responsable et dans le respect de la réglementation locale en matière d'élimination des déchets.

CONSEILS POUR ÉCONOMISER DE L'ÉNERGIE

Exploitez pleinement la chaleur résiduelle de votre plaque de cuisson en l'éteignant quelques minutes avant la fin de la cuisson.

La base de la casserole ou de la poêle doit entièrement recouvrir la zone de cuisson.

Un récipient plus petit que la zone de cuisson occasionne un gaspillage d'énergie.

Placez un couvercle de dimension adaptée sur les casseroles et poêles pendant la cuisson et utilisez le moins d'eau possible. Cuisiner sans couvercle augmente considérablement la consommation d'énergie.

INSTALLATION

Toutes les opérations d'installation (branchement électrique) doivent être effectuées par un personnel compétent dans le respect de la réglementation en vigueur.

Ne regardez pas directement la lampe halogène.

Ces instructions sont destinées au technicien qualifié pour le guider dans l'installation, le réglage et l'entretien, suivant la législation et la réglementation en vigueur. Chacune de ces opérations ne doit être effectuée qu'avec l'appareil débranché du circuit électrique.

L'appareil n'est pas conçu pour une utilisation avec un programmateur externe ou un système de télécommande séparé.

POSITIONNEMENT

L'appareil peut être posé dans une zone de travail comme indiqué dans la figure (Fig. 1a et Fig. 1b). Poser le joint fourni sur tout le périmètre de la zone de travail.

FRSM 603 C TD BK / FRSM 604 C T BK

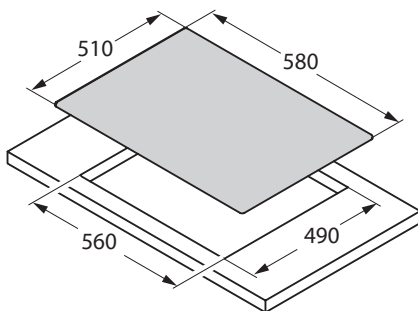


Fig. 1a

FRSM 604 C T XS

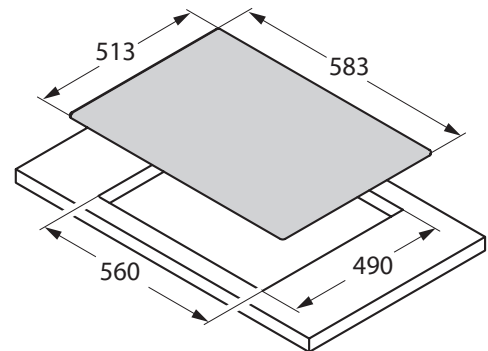


Fig. 1b

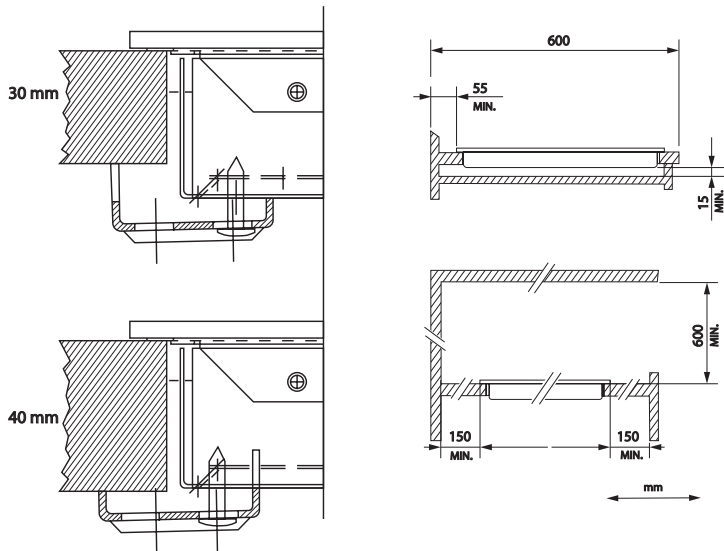


Fig. 2

BRANCHEMENT ÉLECTRIQUE

Avant de procéder au branchement électrique, s'assurer que :

- les caractéristiques de l'installation correspondent aux indications de la plaque signalétique figurant au bas de la plaque de cuisson ;
- que l'installation est équipée d'une mise à la terre efficace, conforme aux normes et à la réglementation en vigueur.

La mise à la terre est obligatoire en vertu de la loi. Si aucun câble et/ou fiche n'est présent sur l'équipement, utiliser un matériau absorbant résistant à la température de service, comme indiqué sur la plaque signalétique. Le câble ne doit en aucun cas atteindre une température dépassant de 50°C la température ambiante.

En cas de branchement direct à l'alimentation secteur, poser un interrupteur multipolaire de dimensions adaptées et de capacité nominale suffisante, avec une distance de dégagement mettent entièrement la ligne hors tension dans des conditions de surtension de catégorie III, conformément aux règles en matière d'installation (le fil de terre jaune/vert ne doit pas être interrompu).

La fiche ou l'interrupteur omnipolaire doit pouvoir être atteint facilement sur l'équipement installé.

Les fabricants déclinent toute responsabilité en cas de non-respect des indications ci-dessus et des règles de prévention des accidents.

REMARQUE : Assurez-vous que les caractéristiques du système électrique domestique (tension, puissance maximale et courant) sont compatibles avec celles de l'appareil.

LE CÂBLE D'ALIMENTATION NE DOIT ÊTRE REMPLACÉ QUE PAR UN TECHNICIEN QUALIFIÉ.

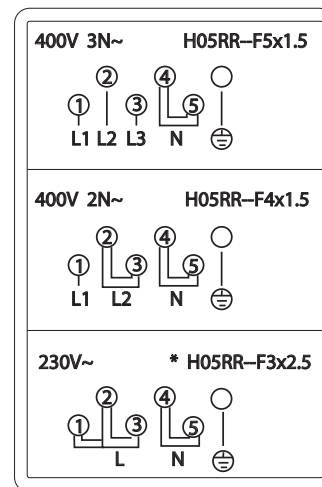
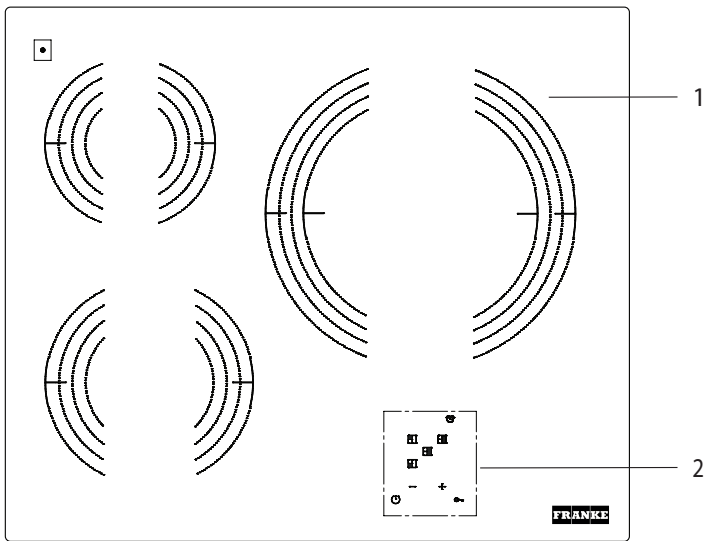


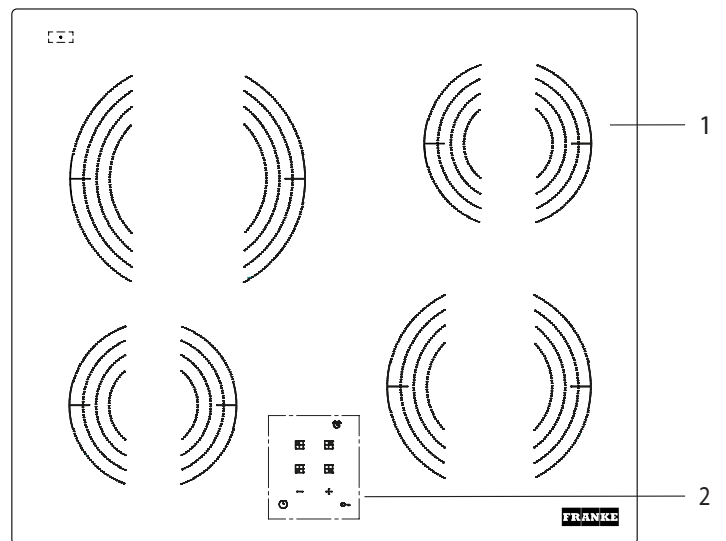
Fig. 3. En tenant compte du facteur de simultanéité

VUE D'ENSEMBLE

FRSM 603 C TD



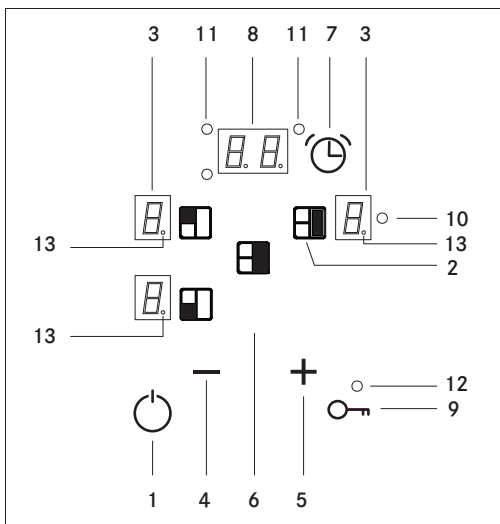
FRSM 604 C T



1. Plaque de cuisson
2. Panneau de commande

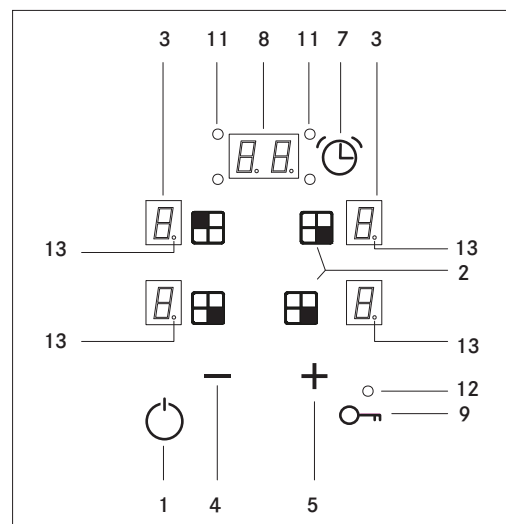
PANNEAU DE COMMANDE

FRSM 603 C TD



1. marche / arrêt
2. Zone de cuisson
3. Affichage du réglage
4. Moins
5. Plus
6. Circuit double uniquement pour FRSM 603 C TD
7. Minuteur

FRSM 604 C T



8. Affichage du minuteur
9. Fonction de verrouillage
10. Témoin lumineux du circuit double
11. Témoins lumineux du minuteur
12. Témoin lumineux de verrouillage
13. Point

TOUCHES TACTILES

Toutes les opérations peuvent être effectuées au moyen des touches tactiles (capteurs optiques) situées à l'avant du panneau de commande, chaque touche a un affichage correspondant.

Chaque activité est confirmée par un bip sonore.

REMARQUE : lors du premier raccordement de la plaque de cuisson à l'alimentation électrique, la fonction de verrouillage des touches est activée.


Appuyer sur le bouton (9) pour la désactiver et commencer à utiliser le produit.

UTILISATION QUOTIDIENNE

ÉLÉMENTS CHAUFFANTS À COMMANDE TACTILE

COMMANDE TACTILE	NIVEAU DE CHALEUR
1	bas
2-3	doux
4	lent
5-6	moyen
7-8	vif
9	intense

MISE EN MARCHÉ D'UNE ZONE DE CUISSON

1. Toucher la touche tactile  pendant 2 secondes.
La commande est en marche : les indicateurs de puissance (3) indiquent 0.
2. Si aucune opération n'est effectuée dans les 10 secondes, l'appareil s'arrête automatiquement.
 - Appuyer sur la touche (2) correspondant à la zone de cuisson. 0 clignotera sur l'affichage correspondant, indiquant que la zone est en marche.
 - Régler le niveau de puissance (1 à 9) au moyen des touches **+** et **-** (5/4).
 - Les touches **+** et **-** ont une fonction de répétition, si elles sont maintenues enfoncées, le réglage augmente ou baisse d'une unité toutes les 0,3 secondes.

Il est possible d'activer une seule zone de cuisson à la fois, par conséquent une seule zone de l'affichage clignote à la fois.

ARRÊT D'UNE ZONE DE CUISSON

La zone de cuisson doit être en marche.

Réduire le niveau de puissance à 0 en appuyant sur (4).

La zone de cuisson s'éteint automatiquement après 10 secondes.

ARRÊT RAPIDE

La zone de cuisson doit être en marche.

Appuyer en même temps sur les touches **+** et **-** (5/4) pour arrêter immédiatement la zone.

INDICATEURS DE CHALEUR RÉSIDUELLE

Tant que la zone de cuisson est encore assez chaude pour causer des brûlures, la lettre **H** (chaleur résiduelle) est affichée sur l'affichage correspondant.

Le symbole disparaît uniquement quand la température passe en dessous de 60 °C et qu'il n'y a plus de risque de brûlure.

L'affichage indique 0 tant que la température reste en-dessous de 60 °C, et indique **H** uniquement quand la température dépasse 60 °C.

- Arrêter la zone de cuisson avant la fin de la cuisson afin d'utiliser la chaleur résiduelle et d'économiser de l'énergie.

L'indicateur de chaleur résiduelle **H** s'éteint si l'alimentation est coupée.

L'appareil peut être arrêté à tout moment en appuyant sur la touche d'alimentation (1).

FONCTIONS

ZONE DE CUISSON À DOUBLE CIRCUIT (UNIQUEMENT SUR LE MODÈLE FRSM 603 C TD)

La zone de cuisson peut être équipée d'un double circuit, comprenant un disque central et une couronne extérieure.

Il est possible d'utiliser la zone centrale seule ou les deux zones ensemble, pour adapter la surface de cuisson à la casserole.

MISE EN MARCHÉ D'UNE ZONE DE CUISSON À DOUBLE CIRCUIT (UNIQUEMENT SUR LE MODÈLE FRSM 603 C TD)

La zone correspondante doit être en marche.

- Sélectionner le niveau de puissance souhaité (1 à 9).
- Mettre le deuxième circuit en marche en appuyant sur la touche du circuit double (6).

Le témoin lumineux (10) de la zone sélectionnée s'allume, le deuxième circuit est mis en marche avec le premier.

ARRÊT DU DEUXIÈME CIRCUIT D'UNE ZONE DE CUISSON À DOUBLE CIRCUIT (UNIQUEMENT SUR LE MODÈLE FRSM 603 C TD)

La zone à double circuit doit être en marche.

Toucher la touche du double circuit (6).

Le témoin lumineux (10) s'éteint et le deuxième circuit est éteint.

FONCTION DE VERROUILLAGE DE L'APPAREIL

Il est possible de verrouiller l'ensemble de l'appareil pour éviter tout actionnement involontaire en appuyant sur la touche de verrouillage (9). Cette fonction sert également de sécurité enfants.

Si la fonction de verrouillage n'est pas désactivée avant l'arrêt de l'appareil, elle restera activée à la remise en marche suivante de l'appareil.

Quand la fonction de verrouillage est activée, toute action sur les touches n'aura aucun effet.

ARRÊT AUTOMATIQUE DE SÉCURITÉ

Si une ou plusieurs zones de cuisson sont involontairement laissées en marche, la commande les arrête automatiquement ou réduit leur puissance après un certain temps.

En cas d'arrêt automatique de sécurité, les lettres **H** ou **Fc** clignotent sur l'affichage.

Pour éviter l'arrêt automatique, il suffit de toucher la touche de sélection de zone ou les touches **+** et **-** avant l'expiration du délai défini.

PRÉCHAUFFAGE AUTOMATIQUE

Cette fonction simplifie le processus de cuisson car elle élimine la nécessité d'intervention humaine.

La zone de cuisson est d'abord préchauffée à la puissance maximale pour amener rapidement la zone à la température de cuisson, puis la puissance est automatiquement réduite au niveau défini (tableau 1).

NIVEAU DE PUISSANCE	FONCTION DE PRÉCHAUFFAGE AUTOMATIQUE
1	1' 11"
2	2' 44"
3	4' 47"
4	5' 28"
5	6' 29"
6	1' 11"
7	2' 44"
8	2' 44"
9	-

ACTIVATION DE LA FONCTION DE PRÉCHAUFFAGE AUTOMATIQUE

- Sélectionner la zone de cuisson en appuyant sur la touche (2).
- Sélectionner le niveau de puissance 9 avec la touche **-**. Sélectionner ensuite le niveau 9 avec un point, à l'aide de la touche **+**.
- Sélectionner la puissance souhaitée, par exemple 6, avec la touche **-**.
- En mode de préchauffage automatique, l'affichage de la zone de cuisson affiche en alternance le niveau réglé (6) et un point (13).

MODIFICATION DU RÉGLAGE DE PUISSANCE PENDANT LE PRÉCHAUFFAGE AUTOMATIQUE

La zone de cuisson correspondante doit être en marche.

Le point (13) de l'affichage correspondant doit être allumé.

La valeur de puissance ne peut être augmentée qu'avec la touche **+**.

Si le niveau est augmenté, la nouvelle durée de préchauffage sera calculée en tenant compte du temps écoulé depuis le réglage précédent.

Exemple : le niveau 1 est d'abord sélectionné, ce qui correspond à une durée de préchauffage d'1 minutes et 11 secondes.

Après 30", le niveau de puissance est augmenté à 4, ce qui nécessite une durée de préchauffage de 5' 28".

Une fois le niveau modifié, le préchauffage automatique dure encore 4'58" (5' 28" - 30 = 4'58').

DÉSACTIVATION DE LA FONCTION DE PRÉCHAUFFAGE AUTOMATIQUE

La zone correspondante doit être en marche.

Le point (13) de l'affichage correspondant doit être allumé.

- Appuyer sur **-** (4) après que la fonction a été activée pendant au moins 10 secondes.

FONCTION MINUTEUR

Cette fonction automatique élimine elle aussi la nécessité d'une intervention humaine pendant toute la durée de la cuisson.

La zone de cuisson est automatiquement arrêtée après la durée définie.

ACTIVATION DE LA FONCTION MINUTEUR

La zone à programmer doit être en marche.

- Sélectionner un niveau entre 1 et 9.
- Appuyer sur la touche minuteur (7), l'affichage du minuteur indique 00.
- Sélectionner la durée de cuisson (de 0 à 99 minutes) au moyen des touches **+** et **-** (5 et 4). La fonction minuteur est automatiquement activée après quelques secondes.

Le témoin lumineux (11) correspondant à la zone programmée s'allume.

- Maintenir les touches **+** ou **-** enfoncées pour régler rapidement la durée de cuisson.

La fonction minuteur s'applique à toutes les zones de cuisson.

MODIFICATION D'UNE DURÉE DE CUISSON RÉGLÉE AU PRÉALABLE

Il est possible de modifier à tout moment la durée de cuisson programmée.

La zone correspondante doit être en marche.

L'affichage correspondant clignote avec la LED correspondant au minuteur de la zone (11).

- Appuyer sur la touche Minuteur (7).
- Définir une nouvelle durée de cuisson au moyen des touches **+** et **-** (5 et 4).
- Maintenir les touches **+** ou **-** enfoncées pour régler rapidement la durée de cuisson

ARRÊT DE LA FONCTION MINUTEUR

Quand la durée de cuisson réglée est écoulée, un signal sonore retentit pendant 2 minutes. Presser n'importe quelle touche pour arrêter le signal.

La zone de cuisson est maintenant arrêtée.

Pour arrêter le minuteur avant que la durée réglée ne soit écoulée, la zone en question doit être en marche.

- Appuyer sur la touche Minuteur (7).
- Remettre la durée à zéro en appuyant sur **-** (4).

Le minuteur est maintenant désactivé, mais la zone de cuisson reste allumée tant qu'elle n'est pas arrêtée manuellement.

ARRÊT RAPIDE

1. La zone correspondante doit être en marche.
2. Appuyer en même temps sur les touches **+** et **-** (5 et 4), la zone de cuisson s'arrête immédiatement. Le minuteur sera lui aussi désactivé.

NETTOYAGE ET ENTRETIEN

Éliminer tout d'abord les résidus d'aliments et les gouttes de graisse de la surface de cuisson au moyen de la raclette spéciale (Fig. 4).

Nettoyer ensuite au moyen de produits spécifiques pour surfaces de cuisson en vitrocéramique et de papier essuie-tout, puis rincer à l'eau et sécher avec un chiffon propre.

Les morceaux de papier aluminium ou de plastique accidentellement fondus ou les résidus de sucre ou d'aliments très riches en saccharose doivent être éliminés immédiatement de la zone de cuisson chaude avec la raclette spéciale (Fig. 4).

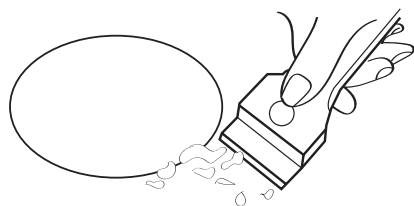


Fig. 4

Ceci vise à éviter tout endommagement de la surface de cuisson.

Ne jamais utiliser d'éponges abrasives ou de détergents chimiques corrosifs pour éliminer les taches.

NE PAS UTILISER DE NETTOYEUR VAPEUR.

Pour cuire sur les zones de cuisson, nous conseillons des récipients à fond plat (Fig. 5) de même diamètre ou de diamètre légèrement supérieur à celui de la zone de cuisson.

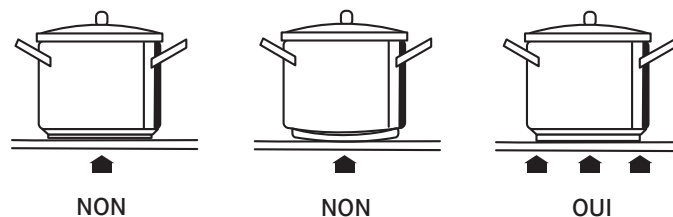


Fig. 5

- Éviter le débordement le liquides, par conséquent, une fois l'ébullition atteinte, ou quand le liquide est chaud, réduire le niveau de puissance.
- Ne pas laisser les éléments chauffants en marche sans qu'un récipient n'y soit posé ou avec des casseroles ou des poêles vides.

En cas de fissure, même infime, de la surface de cuisson, débrancher immédiatement l'alimentation électrique pour éviter le risque de choc électrique.

CARACTÉRISTIQUES TECHNIQUES

ÉLÉMENTS CHAUFFANTS	PUISSANCE NOMINALE
surface de cuisson radiante à circuit simple Ø 210 (FRSM 604 C T)	2100 W
surface de cuisson radiante à circuit simple Ø 140 (FRSM 603 C TD / 2 x FRSM 604 C T)	1200 W
surface de cuisson radiante à circuit simple Ø 180 (FRSM 603 C TD)	1700 W
surface de cuisson radiante à circuit simple Ø 180 (FRSM 604 C T)	1700 W
surface de cuisson radiante à circuit double Ø 210/270 (FRSM 603 C TD)	1500/2400 W

ASSISTANCE

En cas de problème technique, contactez un Centre d'assistance technique Franke.

N'ayez jamais recours aux services de techniciens non autorisés.

Lorsque vous contactez le service clientèle, veuillez fournir les informations suivantes :

- type de défaut
- modèle d'appareil (réf.)
- numéro de série (S.N.)

Ces informations figurent sur la plaque signalétique. La plaque signalétique est fixée sur le bas de l'appareil.

Vous devez également vous munir de la preuve d'achat si la période de garantie n'est pas terminée.



WWW.FRANKE.COM

© Franke Technology and Trademark Ltd., Switzerland

INDICE

INFORMAZIONI PER LA SICUREZZA	30
INSTALLAZIONE.....	31
COLLEGAMENTO ELETTRICO	32
PANORAMICA.....	33
USO QUOTIDIANO.....	34
FUNZIONI	34
PULIZIA E MANUTENZIONE	36
DATI TECNICI.....	36
ASSISTENZA	36

Leggere le istruzioni per l'uso prima di utilizzare il prodotto per la prima volta.


Il produttore non risponde dei danni che possono verificarsi a causa di un'installazione non corretta e di un utilizzo non corretto, non adeguato o irragionevole.

Per garantire il funzionamento sicuro ed efficiente di quest'apparecchio elettrico:

Contattare unicamente centri di assistenza autorizzati.

Non modificare le funzioni dell'apparecchio.


L'apparecchio non deve essere usato da persone (bambini inclusi) con capacità fisiche, sensoriali o mentali limitate o senza esperienze e conoscenza a meno che non siano sorvegliate o istruite in merito.


 Quest'apparecchio può essere usato da bambini a partire dagli 8 anni di età e da persone con capacità fisiche, sensoriali o mentali limitate o senza esperienza e conoscenza unicamente nel caso in cui siano sorvegliati o istruiti in merito all'utilizzo sicuro dell'apparecchio e solo se sono in grado di comprendere i possibili pericoli.


I bambini non devono giocare con l'apparecchio.


La pulizia e la manutenzione non devono essere effettuate da bambini senza la supervisione di un adulto.

I bambini devono essere sorvegliati per assicurarsi che non giochino con l'apparecchio.


 Deve essere possibile scollegare l'apparecchio dall'alimentazione elettrica togliendo la spina dalla presa nel caso in cui la spina sia accessibile o mediante un interruttore multipolare installato a monte della presa conformemente alle norme di cablaggio; l'apparecchio deve essere messo a terra nel rispetto delle norme di sicurezza elettrica nazionali.

 Non utilizzare prolunghe, prese multiple o adattatori. I componenti elettrici non devono essere accessibili all'utente dopo l'installazione. Non utilizzare l'apparecchio se si è umidi o a piedi scalzi. Non mettere in funzione quest'apparecchio se ha un cavo di alimentazione o una presa danneggiata, non funziona correttamente o è danneggiato o caduto.


 Se il cavo di alimentazione è danneggiato deve essere sostituito con uno identico dal costruttore, da un suo tecnico del servizio di assistenza o da una persona con qualifica simile, in modo da prevenire ogni pericolo - rischio di folgorazione.


 **AVVERTENZA:** l'apparecchio e le sue parti accessibili diventano bollenti durante l'uso. Prestare attenzione a non toccare gli elementi riscaldanti.

- I bambini di età inferiore a 8 anni devono essere tenuti lontani, se non sono costantemente sorvegliati.

 **AVVERTENZA:** la cottura non sorvegliata effettuata su un piano cottura e con l'impiego di grasso o olio può essere pericolosa e provocare un incendio.

- NON provare a spegnere un incendio con acqua, bensì spegnere l'apparecchio e coprire la fiamma, per es. con un coperchio o una coperta antincendio.

 **AVVERTENZA:** pericolo di incendio: non riporre oggetti sulle superfici di cottura.

 Se la superficie presenta delle crepature, spegnere l'apparecchio per evitare la possibilità di folgorazione.

AVVERTENZA: assicurarsi che l'apparecchio sia spento e scollegato dall'alimentazione elettrica prima di eseguire lavori di manutenzione.

Pericolo di folgorazione!

Non utilizzare mai apparecchi di pulizia a vapore.

Non utilizzare prodotti abrasivi o corrosivi, detersivi a base di cloro o spugnette abrasive. Non collocare oggetti metallici quali coltelli, forchette, cucchiai e coperchi sulla superficie del piano cottura in quanto possono assumere temperature molto elevate.

ATTENZIONE: l'apparecchio non è destinato a essere messo in funzione per mezzo di un dispositivo esterno di commutazione come un timer o un sistema di controllo remoto separato.

- Pericolo di incendio: non riporre oggetti sulle superfici di cottura.

ATTENZIONE: il processo di cottura deve essere sorvegliato. Un processo di cottura di breve durata deve essere costantemente sorvegliato.

INSTALLAZIONE

Tutte le operazioni relative all'installazione (collegamento elettrico) dovrebbero essere effettuate da personale esperto in conformità alle norme in vigore.

Non fissare la lampada alogena.

Le presenti istruzioni sono rivolte a tecnici qualificati, come una guida all'installazione, alla regolazione e alla manutenzione, secondo le leggi e le norme in vigore. Tutte queste operazioni devono essere svolte con l'apparecchio scollegato dall'impianto elettrico.

L'apparecchio non è destinato all'uso con un timer esterno o un sistema di controllo remoto separato.


POSIZIONAMENTO

L'apparecchio può essere montato in un'area di lavoro come mostrato in figura (Fig. 1a e Fig. 1b). Applicare il sigillante in dotazione sull'intero perimetro dell'area di lavoro.

SMALTIMENTO DI ELETTRODOMESTICI

L'apparecchio è realizzato con materiali riciclabili o riutilizzabili. Smaltirlo in conformità con le norme locali di smaltimento dei rifiuti. Per ulteriori informazioni sul trattamento, sul recupero e sul riciclo di elettrodomestici, contattare le autorità locali, il servizio di raccolta di rifiuti domestici oppure il negozio in cui si è acquistato l'apparecchio. L'apparecchio è etichettato in conformità alla direttiva europea 2012/19/UE sui rifiuti di apparecchiature elettriche ed elettroniche (RAEE).

Garantendo lo smaltimento corretto di questo prodotto si contribuirà a prevenire conseguenze negative per l'ambiente e la salute umana.

Il simbolo  sul prodotto o sulla documentazione accompagnatoria indica che l'apparecchio non dovrebbe essere trattato come un rifiuto domestico, bensì conferito in un apposito centro di raccolta per il riciclo di apparecchiature elettriche ed elettroniche.

SMALTIMENTO DI MATERIALI DI IMBALLAGGIO

Le varie parti dell'imballaggio devono essere smaltite in modo responsabile e nel pieno rispetto delle norme in materia di smaltimento dei rifiuti stabilite dalle autorità locali.

CONSIGLI PER IL RISPARMIO ENERGETICO

Sfruttare al massimo il calore residuo della piastra calda spegnendola per un paio di minuti prima di terminare la cottura.

La base della tua pentola o padella dovrebbe coprire interamente la piastra calda;

un contenitore più piccolo rispetto alla piastra calda provocherà uno spreco di energia.

Coprire pentole e padelle con coperchi aderenti durante la cottura e usare meno acqua possibile. La cottura senza coperchio aumenterà notevolmente il consumo di energia.

FRSM 603 C TD BK / FRSM 604 C T BK

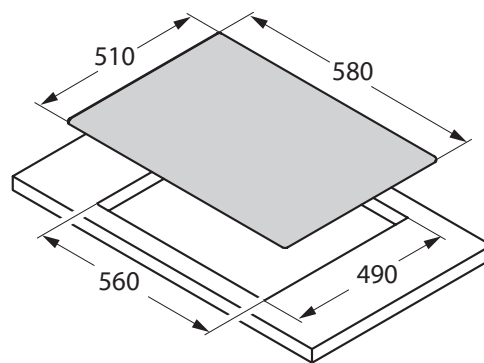


Fig. 1a

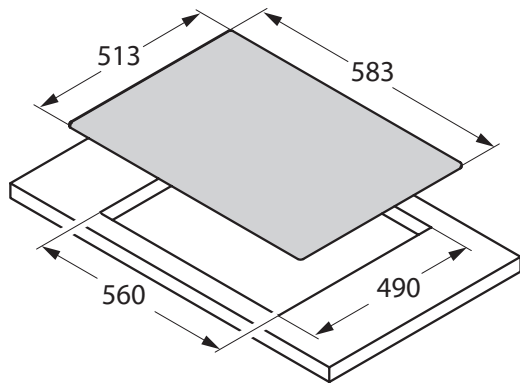


Fig. 1b

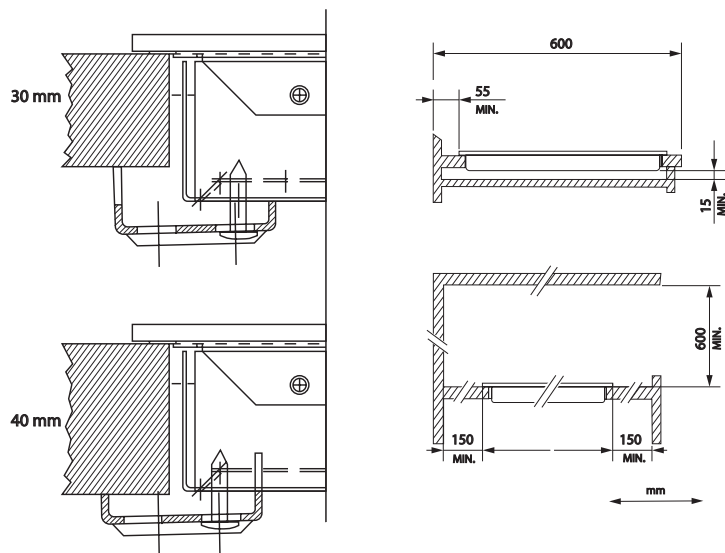


Fig. 2

COLLEGAMENTO ELETTRICO

Prima di eseguire il collegamento elettrico, assicurarsi che:

- le caratteristiche dell'impianto siano tali da conformarsi a quanto indicato sulla targhetta identificativa posizionata sul fondo dell'area di lavoro;
- che l'impianto sia installato con una massa sufficiente, secondo le norme e le disposizioni di legge in vigore.

La massa è obbligatoria per legge. Nel caso in cui dovesse mancare un cavo/una spina sull'apparecchio, utilizzare materiale assorbente idoneo per la temperatura di lavoro, come indicato sulla targhetta identificativa. In nessun caso il cavo dovrà raggiungere una temperatura superiore a una temperatura ambiente di 50°C.

Se collegato direttamente all'alimentazione elettrica di rete, installare un interruttore multipolare di dimensioni adeguate per la capacità nominale con uno spazio libero che scollega del tutto la linea elettrica in condizioni di sovratensione di categoria III, secondo le norme di installazione (il cavo di massa giallo/verde non deve essere interrotto).

La spina o l'interruttore onnipolare deve essere facilmente a portata di mano sull'apparecchiatura installata.

Il produttore declina ogni responsabilità in caso di mancata conformità a quanto sopra descritto e di mancato rispetto e osservanza delle norme di prevenzione di incidenti.

NOTA: Verificare che le caratteristiche dell'impianto elettrico domestico (tensione, potenza massima e corrente) siano compatibili con quelle dell'apparecchio.

IL CAVO DI ALIMENTAZIONE DEVE ESSERE SOSTITUITO SOLO DA UN ELETTRICISTA QUALIFICATO.

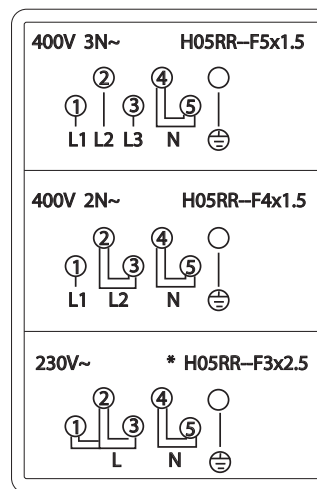
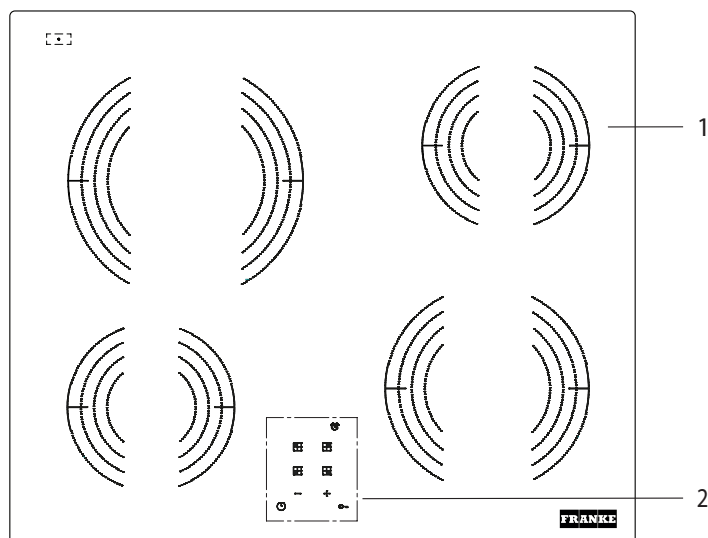
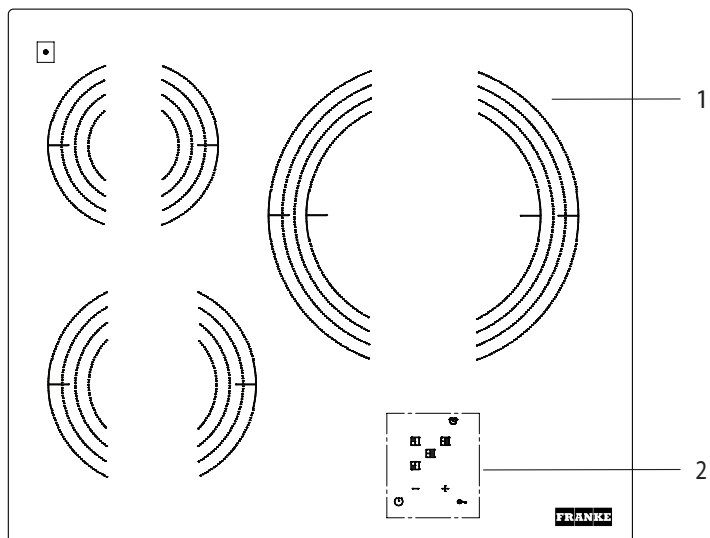


Fig. 3 Considerazione del fattore di contemporaneità

PANORAMICA

FRSM 603 C TD

FRSM 604 CT

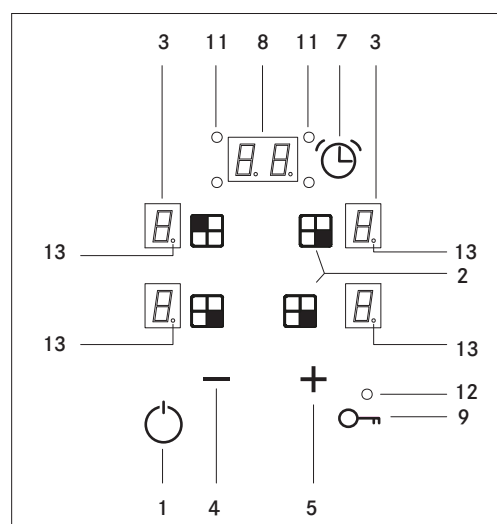
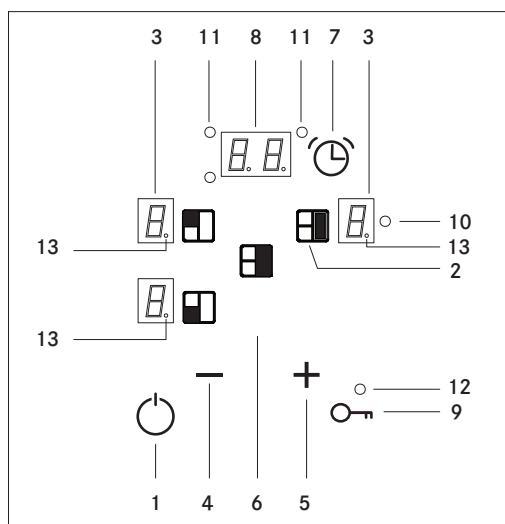


1. Piano cottura
2. Pannello di comando

PANNELLO DI COMANDO

FRSM 603 C TD

FRSM 604 CT



1. Alimentazione ON/OFF
2. Zona di cottura
3. Display di impostazione
4. Meno
5. Più
6. Solo doppio circuito per FRSM 603 C TD
7. Timer

8. Display del timer
9. Funzione di blocco
10. Spia a circuito doppio
11. Spie del timer
12. Spia di blocco
13. Punto decimale

TASTI TOUCH

Tutte le operazioni possono essere eseguite utilizzando i tasti touch (sensori ottici) posizionati sulla parte anteriore del pannello di controllo; ciascun tasto ha un display corrispondente.

Ogni attività è confermata da un bip.

USO QUOTIDIANO

ELEMENTI RISCALDANTI A CONTROLLO TOUCH

CONTROLLO TOUCH	INTENSITÀ DI CALORE
1	Debole
2-3	Delicata
4	Lenta
5-6	Media
7-8	Forte
9	Luminosa

ACCENSIONE DI UNA ZONA DI COTTURA

1. Toccare il tasto touch  per 2 secondi.

Il controllo è alimentato: gli indicatori del livello di potenza (3) mostrano 0.

2. Eseguire l'operazione successiva entro 10 secondi; altrimenti il dispositivo si spegnerà automaticamente.

- Premere il tasto (2) corrispondente alla zona di cottura. Il relativo display mostrerà uno 0 lampeggiante, a indicare che la zona è accesa.
- Impostare il livello di potenza (da 1 a 9) usando i tasti **+** e **-** (5/4). I tasti **+** e **-** presentano una funzione di ripetizione, vale a dire che tenendo premuti questi tasti si aumenta o riduce l'impostazione di un'unità ogni 0,3 secondi.

FUNZIONI

ZONA DI COTTURA A DOPPIO CIRCUITO (SOLO MODELLO FRSM 603 C TD)

La zona di cottura può essere equipaggiata con un doppio circuito, ad es. un disco centrale e un anello esterno.

È possibile utilizzare la zona centrale da sola o entrambe le zone assieme e quindi adattare la zona di cottura alle dimensioni della padella.

ACCENSIONE DI UNA ZONA DI COTTURA A DOPPIO CIRCUITO (SOLO MODELLO FRSM 603 C TD)

La relativa zona deve essere accesa.

- Selezionare il livello di potenza desiderato (da 1 a 9).
- Accendere il secondo circuito premendo il relativo tasto (6).

La spia (10) della zona selezionata si illuminerà; il secondo circuito si accende assieme al primo.

NOTA: la prima volta che il piano cottura viene collegato all'alimentazione elettrica, viene inserita la funzione KeyLock.

Premere il tasto (9) per disattivarla e iniziare a utilizzare il prodotto.

È possibile accendere solo una zona di cottura alla volta, per cui solo una zona di cottura lampeggia alla volta.

SPEGNIMENTO DI UNA ZONA DI COTTURA

La zona di cottura deve essere accesa.

Ridurre il livello di potenza a 0 premendo (4).

La zona di cottura si spegne automaticamente dopo 10 secondi.

SPEGNIMENTO RAPIDO

La zona di cottura deve essere accesa.

Premere i tasti **+** e **-** (5/4) simultaneamente e la zona di cottura verrà spenta immediatamente.

INDICATORI DI CALORE RESIDUO

Quando la zona di cottura è ancora a tal punto calda da provocare ustioni, il display corrispondente indica il simbolo **H** (calore residuo).

Il simbolo scompare solo quando la temperatura scende al di sotto di 60 °C e non c'è più alcun pericolo di ustioni.

Il display indica 0 fintanto che la temperatura rimane al di sotto di 60 °C, passando a H soltanto quando la temperatura sale al di sopra di 60 °C.

- Spegner la zona di cottura prima che la cottura sia completata per sfruttare il calore residuo e risparmiare energia.

L'indicatore del calore residuo **H** si spegnerà una volta interrotta l'alimentazione di corrente.

L'apparecchio può essere spento in qualsiasi momento premendo il tasto di accensione e spegnimento (1).

SPEGNIMENTO DEL SECONDO CIRCUITO DI UNA ZONA DI COTTURA A DOPPIO CIRCUITO (SOLO MODELLO FRSM 603 C TD)

La zona a doppio circuito deve essere accesa.

Toccare il tasto del doppio circuito (6).

La spia (10) non è più accesa e il secondo circuito si spegne.

FUNZIONE DI BLOCCO DELL'APPARECCHIO

Premendo il tasto di blocco (9), l'intero apparecchio può essere bloccato per impedire un funzionamento involontario. Esso funge anche da funzione di sicurezza per i bambini.

Se la funzione di blocco non viene disattivata prima che l'apparecchio venga spento, sarà ancora attiva quando l'apparecchio viene riacceso.

Quando la funzione di blocco è attivata, il funzionamento dei tasti non ha effetto.

SPEGNIMENTO DI SICUREZZA AUTOMATICO

Se una o più zone di cotture vengono lasciate inavvertitamente accese, il controllo le spegne automaticamente o riduce la loro potenza dopo un certo periodo di tempo.

In caso di uno spegnimento automatico, il display mostra il simbolo **H** o **Fc** lampeggiante.

Per impedire uno spegnimento automatico, semplicemente toccare il tasto di selezione della zona o i tasti **+** e **-** prima che il limite di tempo scada.

PRERISCALDAMENTO AUTOMATICO

Questa funzione semplifica il processo di cottura in quanto ovvia alla necessità di un intervento umano durante l'intero ciclo di cottura.

La zona di cottura viene prima preriscaldata alla massima potenza per rapidamente portare la zona fino alla temperatura di cottura, dopo la quale la potenza viene automaticamente ridotta al livello prestabilito (tab. 1).

LIVELLO DI POTENZA	FUNZIONE DEL PRERISCALDAMENTO AUTOMATICO
1	1' 11"
2	2' 44"
3	4' 47"
4	5' 28"
5	6' 29"
6	1' 11"
7	2' 44"
8	2' 44"
9	-

ATTIVAZIONE DELLA FUNZIONE DI PRE-RISCALDAMENTO AUTOMATICO

- Selezionare la zona di cottura premendo il tasto (2).
- Selezionare il livello di potenza 9 usando il tasto **-**. Quindi selezionare il livello 9 con un punto decimale usando il tasto **+**.
- Selezionare il livello di potenza desiderato, ad es. 6, usando il tasto **-**.
- Nella modalità di preriscaldamento automatico, il display della zona di cottura mostrerà alternativamente il livello impostato (6) con un punto decimale (13).

CAMBIO DELL'IMPOSTAZIONE DEL LIVELLO DI POTENZA DURANTE IL PRERISCALDAMENTO AUTOMATICO

La relativa zona di cottura deve essere accesa.

Il punto decimale (13) sul display corrispondente deve essere acceso.

Il valore di riscaldamento può essere aumentato solo con il tasto **+**.

Se il livello è aumentato, il nuovo tempo di preriscaldamento sarà calcolato prendendo in considerazione il tempo trascorso dalla precedente impostazione.

Esempio: il livello 1 è il primo selezionato, corrispondente a un tempo di preriscaldamento di 1' 11".

Dopo 30", il livello di potenza è aumentato a 4, il che richiede un tempo di preriscaldamento di 5' 28".

Dopo aver cambiato il livello, il preriscaldamento automatico durerà ulteriori 4'58" (5' 28" - 30 = 4'58").

DISATTIVAZIONE DELLA FUNZIONE DI PRERISCALDAMENTO AUTOMATICO

La relativa zona deve essere accesa.

Il punto decimale (13) sul display corrispondente deve essere acceso.

- Premere **-** (4) dopo che la funzione è stata attivata per almeno 10 secondi.

FUNZIONE TIMER

Questa funzione automatica ovvia alla necessità di un intervento umano durante l'intero ciclo di cottura.

La zona di cottura viene automaticamente spenta dopo il periodo impostato.

ATTIVAZIONE DELLA FUNZIONE DEL TIMER

La zona da programmare deve essere accesa.

- Selezionare un livello compreso tra 1 e 9.
- Premere il tasto del timer (7); il relativo display mostrerà 00.
- Selezionare il tempo di cottura (da 0 a 99 minuti) utilizzando i tasti **+** e **-** (5 e 4). La funzione del timer è automaticamente attivata entro pochi secondi.

La spia (11) corrispondente alla zona programmata si accende.

- Tenere premuti i tasti **+** o **-** per adeguare rapidamente il tempo di cottura.

La funzione del timer si applica a tutte le zone del piano di cottura.

CAMBIO DI UN TEMPO DI COTTURA IMPOSTATO PRECEDENTEMENTE

Il tempo di cottura programmato può essere cambiato in qualsiasi momento.

La relativa zona deve essere accesa.

Il display corrispondente lampeggia assieme al LED corrispondente al timer di zona (11).

- Premere il tasto del timer (7).
- Impostare un nuovo tempo di cottura utilizzando i tasti **+** e **-** (5 e 4).
- Tenere premuti i tasti **+** o **-** per adeguare rapidamente il tempo di cottura.

SPEGNIMENTO DELLA FUNZIONE DEL TIMER

Una volta scaduto il tempo di cottura impostato, viene emesso un segnale acustico per 2 minuti. Per interrompere il segnale, premere un tasto qualsiasi.

La zona di cottura è ora spenta.

Se si desidera interrompere il timer prima che sia scaduto il periodo programmato, la relativa zona deve essere accesa.

- Premere il tasto del timer (7).
- Azzerare il tempo premendo **-** (4).

Il timer è ora disattivato, ma la zona di cottura rimarrà accesa fintanto che non viene spenta manualmente.

SPEGNIMENTO RAPIDO

1. La relativa zona deve essere accesa.
2. Premere i tasti **+** e **-** (5 e 4) simultaneamente; la zona di cottura viene spenta immediatamente. Anche il timer sarà disattivato.

PULIZIA E MANUTENZIONE

Prima di tutto rimuovere residui di cibo e gocce di grasso dalla superficie di cottura con lo speciale raschietto (Fig. 4).

Quindi pulire con prodotti specifici per superfici di cottura in vetroceramica con della carta, quindi sciacquare con acqua e asciugare con un panno pulito.

Pezzi di pellicola di alluminio e materiale in plastica che si sono inavvertitamente fusi o residui di zucchero o di cibo ad alto contenuto saccarifero devono essere rimossi immediatamente dalla zona di cottura calda con lo speciale raschietto (Fig. 4).

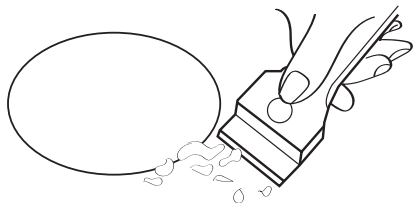


Fig. 4

Ciò per evitare possibili danni alla superficie del piano.

In nessun caso devono essere utilizzate spugne abrasive o detergenti chimici irritanti quali prodotti antimacchia.

NON USARE APPARECCHI DI PULIZIA A VAPORE.

Quando si fa uso di elementi riscaldanti, consigliamo recipienti con fondo piatto (Fig. 5) aventi lo stesso diametro o leggermente più grande rispetto alla zona calda.

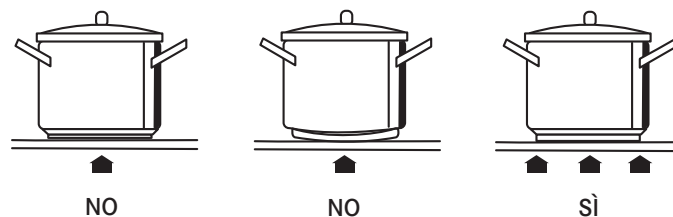


Fig. 5

- Evitare il versamento di liquido: se bolle o è riscaldato, ridurre il calore.
- Non lasciare accesi gli elementi riscaldanti senza recipienti sul piano o con pentole e padelle vuote.

Nel caso in cui ci sia anche una lieve crepatura sulla superficie di cottura, scollegare immediatamente l'alimentazione elettrica per evitare la possibilità di folgorazione.

DATI TECNICI

ELEMENTI RISCALDANTI	POTENZA NOMINALE
Resistenza a circuito singolo Ø 210 (FRSM 604 C T)	2100 W
Resistenza a circuito singolo Ø 140 (FRSM 603 C TD / 2 x FRSM 604 C T)	1200 W
Resistenza a circuito singolo Ø 180 (FRSM 603 C TD)	1700 W
Resistenza a circuito singolo Ø 180 (FRSM 604 C T)	1700 W
Resistenza a doppio circuito Ø 210/270 (FRSM 603 C TD)	1500/2400 W

ASSISTENZA

Per qualsiasi problema di funzionamento, contattare il centro di assistenza tecnica Franke.

Evitare di rivolgersi a tecnici non autorizzati.

Quando si contatta il servizio di assistenza si prega di fornire le seguenti informazioni:

- tipo di guasto
- modello dell'apparecchio (Art.)
- numero di serie (S.N.)

Queste informazioni sono riportate sulla targhetta di identificazione. La targhetta di identificazione è applicata sul fondo dell'apparecchio.

Inoltre, è necessario avere una prova di acquisto, se il periodo di garanzia non è ancora scaduto.



WWW.FRANKE.COM

© Franke Technology and Trademark Ltd., Switzerland

ÍNDICE

INFORMACIÓN DE SEGURIDAD.....	38
INSTALACIÓN	39
CONEXIÓN ELÉCTRICA	40
INFORMACIÓN GENER.....	41
USO DIARIO.....	42
FUNCIONES	42
LIMPIEZA Y MANTENIMIENTO	44
DATOS TÉCNICOS.....	44
ASISTENCIA	44

Lea detenidamente las instrucciones de funcionamiento antes de usar el producto por primera vez.


El fabricante no se hará responsable de ningún daño que pueda producirse como consecuencia de la instalación incorrecta y el uso incorrecto, inadecuado o no razonable del dispositivo.

Para garantizar un funcionamiento seguro y eficiente de este dispositivo eléctrico:

Acuda únicamente a centros de servicio técnico autorizados.

No realice modificaciones al dispositivo.


Este aparato no debe ser utilizado por personas (niños incluidos) con capacidades físicas, sensoriales o mentales reducidas, o falta de experiencia y conocimientos, a menos que estén bajo supervisión o reciban instrucción acerca del uso del aparato por parte de alguien responsable de su seguridad.


 Este aparato puede ser utilizado por niños mayores de 8 años y por personas con facultades físicas, sensoriales o mentales reducidas, o con falta de experiencia y conocimiento, siempre que sea bajo supervisión o se les haya proporcionado las instrucciones necesarias sobre el uso seguro del aparato y que hayan comprendido los peligros existentes.


No debe permitirse que los niños jueguen con el aparato.


Los niños no deben llevar a cabo las tareas de limpieza y mantenimiento sin supervisión.

Se debe supervisar a los niños para asegurarse de que no jueguen con el aparato.


 Debe ser posible desconectar el aparato de la red eléctrica desenchufándolo si el enchufe está accesible, o por medio de un interruptor de varios polos instalado antes de la toma, de conformidad con las normas de cableado; además, el aparato debe estar puesto a tierra de conformidad con la normativa nacional en materia de seguridad eléctrica.

 No utilice alargadores, tomas múltiples ni adaptadores. Los componentes eléctricos no deben ser accesibles al usuario tras la instalación. No utilice el aparato con partes del cuerpo mojadas o sin calzar. No utilizar el aparato si presenta daños en el cable de alimentación o en el enchufe, si no funciona correctamente o si ha sufrido algún tipo de daño o caída.


 Si el cable de alimentación está dañado, para evitar cualquier tipo de riesgo de descarga eléctrica, debe sustituirse por uno idéntico por el fabricante, su agente de servicio o personas igualmente cualificadas.


 **ADVERTENCIA:** El aparato y algunas de sus piezas accesibles pueden calentarse mucho durante el funcionamiento. Se debe tener precaución para evitar tocar los elementos calefactores.

- Los niños de menos de 8 años de edad deben mantenerse alejados del aparato, a menos que se encuentren bajo supervisión constante.

 **ADVERTENCIA:** Cocinar sin supervisión en una placa de cocción con grasa o aceite puede ser peligroso y provocar un incendio.

- NUNCA trate de apagar un incendio con agua; desconecte el aparato y cubra las llamas, p. ej., con una tapadera o una manta ignífuga.

 **ADVERTENCIA:** Peligro de incendio; no coloque ningún objeto en la superficie de cocción.

 Si la superficie está agrietada, apague el aparato para evitar todo riesgo de descarga eléctrica.

⚠️ ADVERTENCIA: Asegúrese de que el aparato esté apagado y desconectado del suministro eléctrico antes de realizar cualquier operación.

⚠️ Riesgo de descarga eléctrica.

No utilice bajo ninguna circunstancia equipos de limpieza con vapor.

No utilice productos abrasivos ni corrosivos, limpiadores a base de cloro ni estropajos para utensilios de cocina. Los objetos metálicos como cuchillos, tenedores, cucharas y tapaderas no deben colocarse sobre la superficie de la placa de cocción, ya que podrían calentarse.

⚠️ PRECAUCIÓN: El aparato no está previsto para su funcionamiento con un dispositivo de conmutación externo, como un temporizador o un sistema de control remoto por separado.

- Peligro de incendio: no coloque ningún objeto en la superficie de cocción.

⚠️ PRECAUCIÓN: Debe supervisarse el proceso de cocción. El proceso de cocción a corto plazo debe supervisarse de manera continuada.

INSTALACIÓN

Todas las operaciones relativas a la instalación (conexión eléctrica) deben correr a cargo por personal cualificado, de conformidad con la normativa vigente.

No mire directamente a la luz halógena.

Estas instrucciones están destinadas a un técnico cualificado, a modo de orientación para la instalación, el ajuste y el mantenimiento, de conformidad con la normativa vigente. Todas estas operaciones deben ser llevadas a cabo siempre con el aparato desconectado del sistema eléctrico.

El aparato no está diseñado para su uso con un temporizador externo o un sistema separado de control remoto.


COLOCACIÓN

El aparato debe montarse en una zona de trabajo tal y como se ilustra en la figura (Fig. 1a y Fig. 1b). Aplique la junta sellante incluida en todo el perímetro de la zona de trabajo.

ELIMINACIÓN DE ELECTRODOMÉSTICOS

Este aparato está fabricado con materiales reciclables o reutilizables. Deséchelo de conformidad con la normativa local en materia de eliminación de residuos. Para más información sobre el tratamiento, la recuperación y el reciclaje de los aparatos eléctricos domésticos, póngase en contacto con las autoridades locales, con el servicio de recogida de residuos domésticos o con el establecimiento del que adquirió el aparato. Este aparato está marcado de conformidad con la Directiva europea 2012/19/UE sobre residuos de aparatos eléctricos y electrónicos (RAEE).

Si se asegura de que este producto se elimine de forma correcta, ayudará a evitar las consecuencias negativas para el medio ambiente y la salud humana.

El símbolo  que aparece en el producto o en la documentación que lo acompaña indica que no debe tratarse como un desecho doméstico, sino que se debe llevar a un centro apropiado de recogida y reciclaje de equipos eléctricos y electrónicos.

ELIMINACIÓN DE MATERIALES DE EMBALAJE

Los diversos componentes del embalaje deben eliminarse de forma responsable y de plena conformidad con las normativas locales de las autoridades en materia de eliminación de residuos.

CONSEJOS DE AHORRO DE ENERGÍA

Aproveche al máximo el calor residual de su placa de cocción apagándola unos minutos antes de que finalice la cocción.

La base del cazo o la sartén debe cubrir por completo la zona de cocción en que esté;

un recipiente de menor tamaño que la zona de cocción supone una pérdida de energía.

Cubra los cazos y las sartenes con tapas que cierren bien al cocinar y utilice la menor cantidad posible de agua. Cocinar sin tapa aumenta notablemente el consumo de energía.

FRSM 603 C TD BK / FRSM 604 C T BK

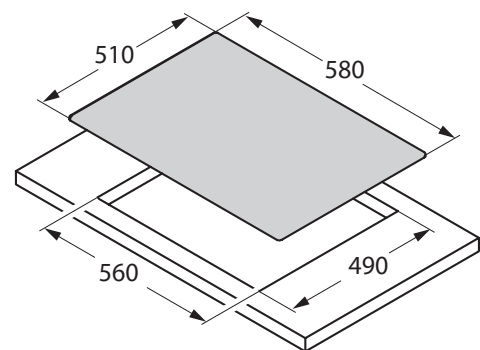


Fig. 1a

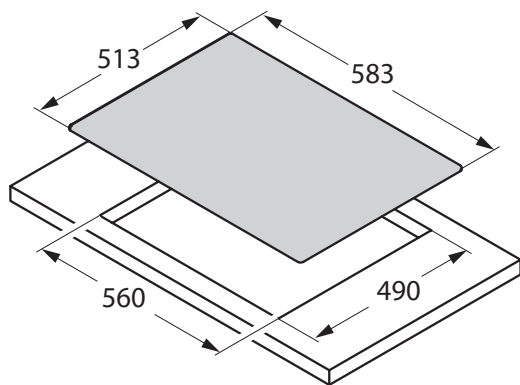


Fig. 1b

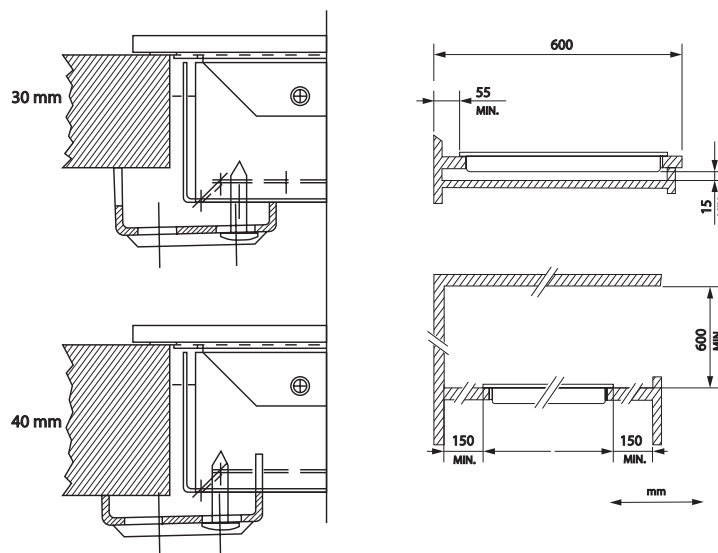


Fig. 2

CONEXIÓN ELÉCTRICA

Antes de realizar las conexiones eléctricas, asegúrese de que:

- las características de la planta se correspondan con lo que se indica en la placa de características situada en la parte inferior de la placa de cocción;
- la planta esté equipada con una conexión a tierra adecuada, según la normativa y las disposiciones legales vigentes.

La conexión a tierra es obligatoria según la legislación vigente. Si no hay un cable o un enchufe en la placa de cocción, utilice un material de absorción apropiado para la temperatura de funcionamiento, como se indica en la placa de características. El cable no debe calentarse nunca a más de 50 °C por encima de la temperatura ambiente.

Si la conexión se realiza directamente a la red eléctrica, utilice un interruptor de varios polos de tamaño apropiado para la capacidad nominal, con la correspondiente distancia, que permita desconectar por completo la alimentación eléctrica en caso de que se den condiciones de sobretensión de categoría III, de conformidad con las normas de instalación (no se debe interrumpir el cable de tierra amarillo y verde).

Debe ser posible alcanzar fácilmente el interruptor omnipolar o el enchufe en el equipo instalado.

Los fabricantes rechazan toda responsabilidad en caso de no cumplimiento con las instrucciones anteriormente descritas y en caso de que no se respetan ni se sigan las normas de prevención de accidentes.

NOTA: Asegúrese de que las características del sistema eléctrico doméstico (voltaje, potencia máxima y corriente) son compatibles con las del aparato.

EL CABLE DE ALIMENTACIÓN SOLO DEBE SER SUSTITUIDO POR UN ELECTRICISTA CUALIFICADO.

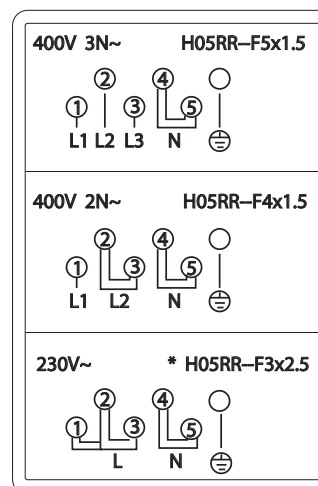
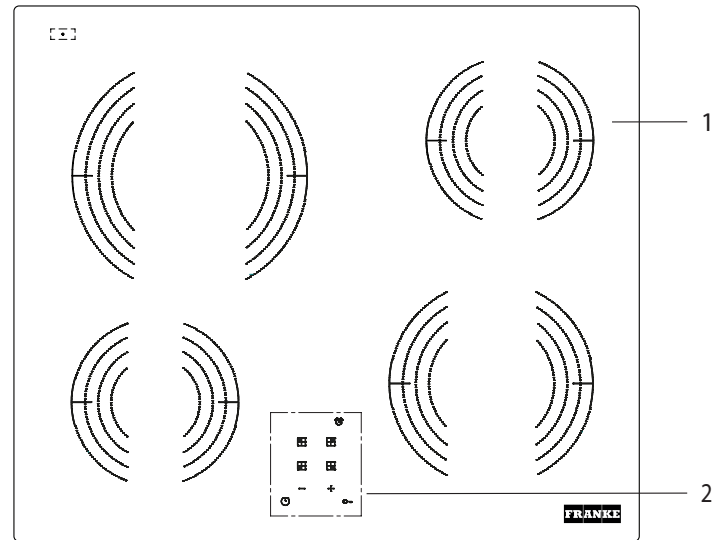
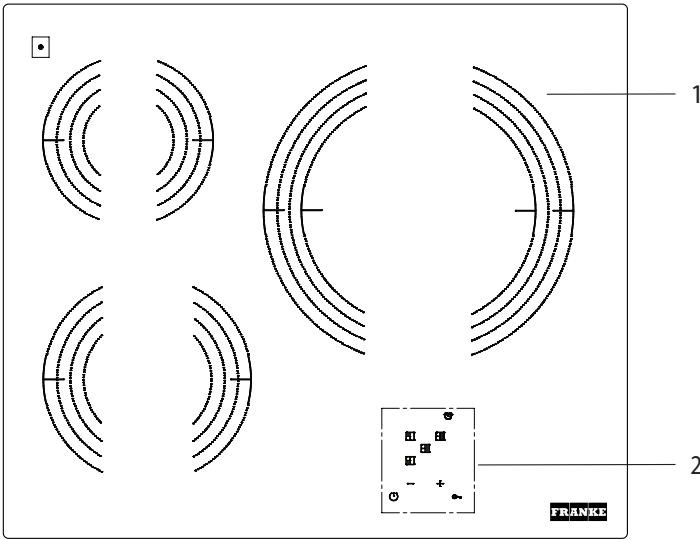


Fig. 3. Consideración del factor de simultaneidad

INFORMACIÓN GENER

FRSM 603 CTD

FRSM 604 CT

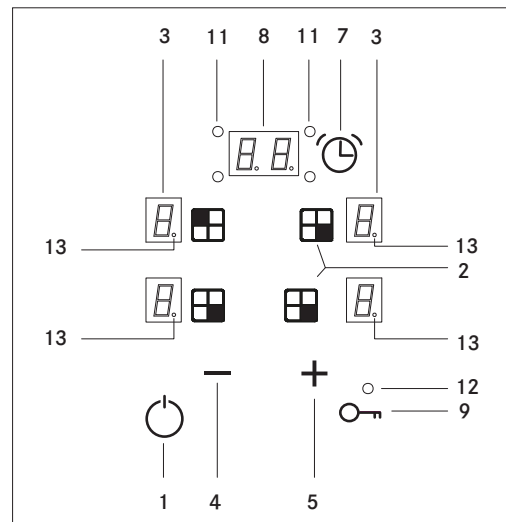
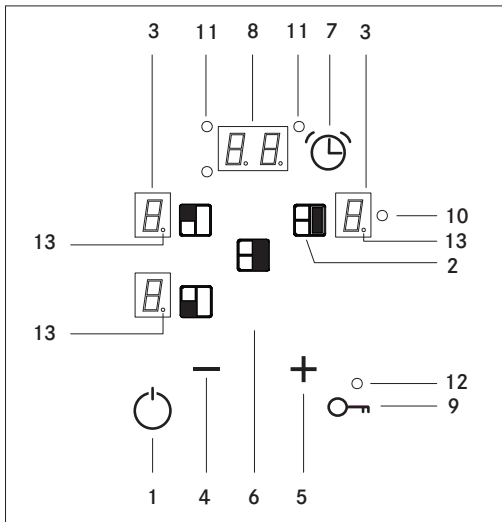


- 1. Placa de cocción
- 2. Panel de control

PANEL DE CONTROL

FRSM 603 CTD

FRSM 604 CT



- 1. Encendido/Apagado
- 2. Zona de cocción
- 3. Ajustes de pantalla
- 4. Menos
- 5. Más
- 6. Doble circuito, solo para FRSM 603 CTD
- 7. Temporizador

- 8. Pantalla del temporizador
- 9. Función de bloqueo
- 10. Luz de indicación de doble circuito
- 11. Luces de indicación de temporizador
- 12. Luz de indicación de bloqueo
- 13. Separador decimal

TECLAS TÁCTILES

Todas las operaciones pueden realizarse por medio de las teclas táctiles (sensores ópticos) situados en la parte frontal del panel de control; cada tecla tiene su propio panel indicador.


Cada actividad se confirma con una señal acústica.

USO DIARIO

PANEL DE CONTROL DE LOS ELEMENTOS DE CALENTAMIENTO

CONTROL TÁCTIL	INTENSIDAD DE CALENTAMIENTO
1	baja
2-3	suave
4	a fuego lento
5-6	media
7-8	alta
9	muy alta

ENCENDIDO DE UNA ZONA DE COCCIÓN

- Pulse la tecla táctil  durante dos segundos.
Se activan los controles: los indicadores de nivel de potencia (3) muestran 0.
- Realice la siguiente operación antes de que transcurran 10 segundos o el aparato se desactivará automáticamente.
 - Pulse la tecla (2) correspondiente a la zona de cocción. Parpadeará un 0 en el panel indicador correspondiente para mostrar que la zona está activa.
 - Ajuste el nivel de potencia (de 1 a 9) con las teclas **+** y **-** (5/4). Las teclas **+** y **-** tienen una función repetitiva: al mantenerlas pulsadas, aumentan o reducen el ajuste en una unidad cada 0,3 segundos.

FUNCIONES

ZONA DE COCCIÓN DE DOBLE CIRCUITO (SOLO EL MODELO FRSM 603 C TD)

La zona de cocción puede estar equipada con un circuito doble, es decir, un disco central y un anillo exterior.

Puede utilizar solo la zona central o ambas zonas conjuntamente para adaptar el diámetro de la zona de cocción al tamaño del recipiente.

ENCENDIDO DE UNA ZONA DE COCCIÓN DE DOBLE CIRCUITO (SOLO EL MODELO FRSM 603 C TD)

- La zona de cocción correspondiente debe estar activada.
- Seleccione el nivel de potencia deseado (de 1 a 9).
 - Pulse la tecla de circuito doble (6) para encender el segundo circuito.
- Se encenderá la luz de indicación (10) de la zona seleccionada; el segundo circuito se encenderá con el primero.

NOTA: la primera vez que se conecte la placa al suministro eléctrico, se iniciará la función KeyLock.

Pulse el botón (9) para desactivarla y comenzar a usar el producto.

Solo puede haber activada una zona de cocción cada vez, por lo que solo parpadea una dicha zona.

APAGADO DE UNA ZONA DE COCCIÓN

La zona de cocción debe estar encendida.

Pulse (4) para reducir el nivel de potencia a 0.

La zona de cocción se apagará automáticamente al cabo de 10 segundos.

APAGADO RÁPIDO

La zona de cocción debe estar encendida.

Pulse simultáneamente las teclas **+** y **-** (5/4); la zona de cocción se apagará inmediatamente.

INDICADORES DE CALOR RESIDUAL

Mientras una zona de cocción esté lo bastante caliente como para causar quemaduras, aparecerá el símbolo **H** (calor residual) en el panel indicador correspondiente.

El símbolo desaparece solo cuando la temperatura de la zona desciende por debajo de los 60 °C, lo que supone que ya no hay riesgo de sufrir quemaduras.

En el panel indicador aparece 0 siempre que la temperatura se encuentre por debajo de los 60 °C; solo cuando la temperatura sube por encima de este valor aparece la **H**.

- Se recomienda apagar la zona de cocción antes de terminar de cocinar para aprovechar el calor residual y, así, ahorrar energía.

El indicador de calor residual **H** desaparecerá si se interrumpe el suministro eléctrico.

Se puede apagar el aparato en cualquier momento pulsando la tecla de encendido (1).

APAGADO DEL SEGUNDO CIRCUITO DE UNA ZONA DE COCCIÓN DE DOBLE CIRCUITO (SOLO EL MODELO FRSM 603 C TD)

La zona de doble circuito debe estar encendida.

Toque la tecla de circuito doble (6).

Se apagará la luz de indicación (10) y se apagará el segundo circuito.

FUNCIÓN DE BLOQUEO DEL APARATO

Es posible bloquear el aparato entero para evitar su uso no intencionado; para ello, pulse la tecla de bloqueo (9). Esta función también sirve para proteger a los niños.

Si la función de bloqueo no se desactiva antes de apagar el aparato, seguirá activa la próxima vez que este se encienda.

Con la función de bloqueo activada, pulsar las teclas no tendrá ningún efecto.

APAGADO AUTOMÁTICO DE SEGURIDAD

Si se deja encendida alguna zona de cocción, el control reducirá su potencia o las apagará automáticamente al cabo de un cierto período de tiempo.

Si se produce una desconexión automática de seguridad, en la pantalla parpadeará el símbolo **H** o **Fc**.

Para evitar el apagado automático, basta con tocar la tecla de selección de zona o las teclas **+** y **-** antes de que transcurra el tiempo límite.

PRECALENTAMIENTO AUTOMÁTICO

Esta función automática simplifica la cocción, ya que prescinde de la necesidad de intervención humana.

Primero, la zona de cocción se precalienta a máxima potencia para calentarla a la temperatura de cocción; a continuación, la potencia se reduce automáticamente al nivel preajustado (pestaña 1).

NIVEL DE POTENCIA	FUNCIÓN DE PRECALENTAMIENTO AUTOMÁTICO
1	1 min 11 s
2	2 min 44 s
3	4 min 47 s
4	5 min 28 s
5	6 min 29 s
6	1 min 11 s
7	2 min 44 s
8	2 min 44 s
9	-

ACTIVACIÓN DE LA FUNCIÓN DE PRECALENTAMIENTO AUTOMÁTICO

- Pulse la tecla (2) para seleccionar la zona de cocción.
- Seleccione el nivel de potencia 9 con la tecla **-**. A continuación, con la tecla **+**, seleccione el nivel 9 con un separador decimal.
- Seleccione el nivel deseado de potencia (p. ej., el 6) con la tecla **-**.
- En el modo de precalentamiento automático, el panel indicador de la zona de cocción mostrará alternativamente el nivel ajustado (6) con un separador decimal (13).

MODIFICACIÓN DEL AJUSTE DEL NIVEL DE POTENCIA DURANTE EL PRECALENTAMIENTO AUTOMÁTICO

La zona de cocción correspondiente debe estar activada.

El separador decimal (13) debe estar encendido en el panel indicador correspondiente.

El valor de calentamiento solo se puede aumentar con la tecla **+**.

Si se aumenta el nivel, se recalculará el nuevo tiempo de calentamiento tomando en consideración el tiempo transcurrido desde el ajuste anterior.

Ejemplo: se selecciona primero el nivel 1, que se corresponde con un tiempo de calentamiento de 1 min 11 s.

Al cabo de 30 segundos, el nivel de potencia se aumenta hasta el 4, que requiere un tiempo de precalentamiento de 5 min 28 s.

Tras modificar el nivel, el tiempo de calentamiento automático será de 4 min 58 s (5 min 28 s - 30 s = 4 min 58 s).

DESACTIVACIÓN DE LA FUNCIÓN DE PRECALENTAMIENTO AUTOMÁTICO

La zona de cocción correspondiente debe estar activada.

El separador decimal (13) debe estar encendido en el panel indicador correspondiente.

- Pulse **-** (4) cuando la función haya estado activa durante al menos 10 segundos.

FUNCIÓN DE TEMPORIZADOR

Esta función automática también suprime la necesidad de intervención humana durante todo el ciclo de cocción.

La zona de cocción se desactiva automáticamente al cabo del período de tiempo configurado.

ACTIVACIÓN DE LA FUNCIÓN DEL TEMPORIZADOR

La zona que se desee programar debe estar encendida.

- Seleccione un nivel entre 1 y 9.
- Pulse la tecla del temporizador (7); aparecerá 00 en el panel indicador.
- Seleccione el tiempo de cocción (entre 0 y 99 minutos) con las teclas **+** y **-** (5 y 4). La función del temporizador se activará automáticamente al cabo de unos segundos.

Se encenderá la luz de indicación (11) correspondiente a la zona programada.

- Mantenga pulsadas las teclas **+** o **-** para ajustar rápidamente el tiempo de cocción.

La función de temporizador es aplicable a todas las zonas de la placa.

MODIFICACIÓN DE UN TIEMPO DE COCCIÓN PREVIAMENTE CONFIGURADO

Es posible cambiar el tiempo de cocción programado en cualquier momento.

La zona de cocción correspondiente debe estar activada.

El panel indicador correspondiente parpadea junto con el LED correspondiente al temporizador de la zona (11).

- Pulse la tecla del temporizador (7).
- Seleccione un nuevo tiempo de cocción con las teclas **+** y **-** (5 y 4).
- Mantenga pulsadas las teclas **+** o **-** para ajustar rápidamente el tiempo de cocción.

APAGADO DE LA FUNCIÓN DEL TEMPORIZADOR

Una vez transcurrido el tiempo de cocción configurado, se emitirá una señal audible durante dos minutos. Para interrumpir la señal, basta con pulsar cualquier tecla.

La zona de cocción quedará apagada.

Si se desea interrumpir el temporizador antes de que transcurra el período de tiempo programado, la zona correspondiente deberá estar encendida.

- Pulse la tecla del temporizador (7).
- Pulse **-** (4) para poner a cero el tiempo.

El temporizador se desactiva, pero la zona de cocción se mantiene encendida hasta que se apague manualmente.

APAGADO RÁPIDO

1. La zona de cocción correspondiente debe estar activada.
2. Pulse simultáneamente las teclas **+** y **-** (5/4); la zona de cocción se apagará inmediatamente. También se desactivará el temporizador.

LIMPIEZA Y MANTENIMIENTO

Antes que nada, retire los restos de comida y las gotas de grasa de la superficie de cocción con la rasqueta especial (fig. 4).

A continuación, limpie las superficies de cocción de vitrocerámica con productos específicos para tal fin y un paño de papel; aclare con agua y seque con un paño limpio.

Los restos de papel de aluminio, los materiales de plástico que se hayan fundido de forma no intencionada y los restos de azúcar o de alimentos con alto contenido en azúcar deben eliminarse de inmediato de las zonas calientes de cocción con la rasqueta especial (fig. 4).

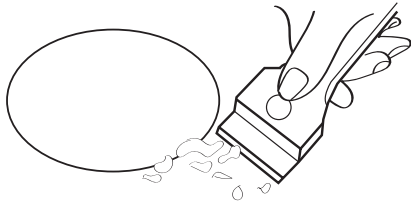


Fig. 4

Esto es imprescindible para evitar posibles daños en la superficie de la placa.

No deben utilizarse bajo ninguna circunstancia estropajos abrasivos ni detergentes químicos abrasivos, como los quitamanchas.

NO UTILIZAR LIMPIADORES AL VAPOR.

Al utilizar las placas de cocción, recomendamos utilizar recipientes de base plana (fig. 5) de diámetro similar o ligeramente superior al de la zona caliente.

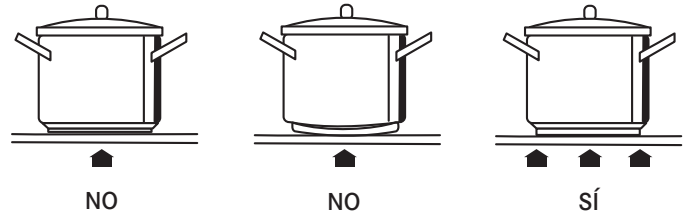


Fig. 5

- Evite derrames de líquido; si se sale un líquido hervido del recipiente, o siempre que se calienten líquidos, es recomendable reducir la intensidad del calor.
- No deje las placas de cocción encendidas sin recipientes encima, o con cazos o sartenes vacíos.

Si se detecta una grieta, por pequeña que sea, en la superficie de cocción, desconecte inmediatamente el suministro eléctrico para evitar cualquier riesgo de descarga eléctrica.

DATOS TÉCNICOS

ELEMENTOS DE CALENTAMIENTO	POTENCIA NOMINAL
Elemento radiante de circuito único Ø 210 (FRSM 604 C T)	2100 W
Elemento radiante de circuito único Ø 140 (FRSM 603 C TD / 2 x FRSM 604 C T)	1200 W
Elemento radiante de circuito único Ø 180 (FRSM 603 C TD)	1700 W
Elemento radiante de circuito único Ø 180 (FRSM 604 C T)	1700 W
Elemento radiante de doble circuito Ø 210/270 (FRSM 603 C TD)	1500/2400 W

ASISTENCIA

En caso de que surjan problemas en el funcionamiento, póngase en contacto con el Centro de Servicio Técnico de Franke.

Nunca contrate los servicios de técnicos no autorizados.

Si contacta con el servicio de asistencia técnica, proporcione la siguiente información:

- tipo de avería;
- modelo de aparato (art.);
- número de serie (S. N.).

Esta información se indica en la placa de datos. La placa de datos se encuentra en la parte inferior.

Debe contar con un comprobante de compra si todavía está dentro del período de garantía.



WWW.FRANKE.COM

© Franke Technology and Trademark Ltd., Switzerland

ÍNDICE

INFORMAÇÕES SOBRE SEGURANÇA.....	46
INSTALAÇÃO.....	47
LIGAÇÃO ELÉTRICA.....	48
VISTA GERAL.....	49
UTILIZAÇÃO DIÁRIA.....	50
FUNÇÕES.....	50
DADOS TÉCNICOS.....	52
LIMPEZA E MANUTENÇÃO.....	52
SUORTE.....	52


Leia as instruções de operação antes de utilizar o produto pela primeira vez.

O fabricante não pode ser responsabilizado por eventuais danos que possam ocorrer devido a instalação incorreta e utilização incorreta, inadequada ou não razoável do aparelho.

Para garantir a operação segura e eficiente deste aparelho elétrico:

Contacte apenas centros de assistência autorizados. Não modifique nenhuma funcionalidade do aparelho.


O aparelho não deve ser utilizado por pessoas (incluindo crianças) com capacidades físicas, sensoriais ou mentais reduzidas, ou com falta de experiência e conhecimento, a menos que recebam supervisão ou instrução.


 Este aparelho pode ser utilizado por crianças com 8 anos ou mais de idade e por pessoas com capacidades físicas, sensoriais ou mentais reduzidas, ou com falta de experiência e conhecimento, se lhes tiver sido dada supervisão ou instrução em relação à utilização segura do aparelho e compreenderem os perigos envolvidos.


Crianças não devem brincar com o aparelho.


A limpeza e a manutenção a cargo do utilizador não devem ser efetuadas por crianças sem supervisão.

As crianças devem ser supervisionadas para que não brinquem com o aparelho.


 Deve ser possível desligar o aparelho puxando a ficha se esta estiver acessível, ou através de um disjuntor multipolar instalado a montante da tomada de acordo com os regulamentos de ligação elétrica, e o aparelho deve estar ligado à terra em conformidade com as normas nacionais de segurança elétrica.

 Não utilize extensões, tomadas múltiplas ou adaptadores. Os componentes elétricos não devem estar acessíveis ao utilizador após a instalação. Não utilize o aparelho se estiver molhado ou descalço. Não utilize este aparelho se o cabo de alimentação ou a ficha estiver danificado, se não estiver a funcionar corretamente, se tiver caído ou ficado de outro modo danificado.


 Se o cabo de alimentação ficar danificado, tem de ser substituído por um idêntico pelo fabricante, pela assistência técnica ou por outra pessoa qualificada para evitar perigo - risco de choque elétrico.


 AVISO: o aparelho e as suas peças acessíveis ficam quentes durante a utilização. Deve ter-se cuidado para evitar tocar em elementos de aquecimento.


- Crianças menores de 8 anos de idade devem ser mantidas afastadas, salvo se forem continuamente supervisionadas.


 AVISO: Cozinhar sem vigilância numa placa com gordura ou óleo é perigoso e pode provocar um incêndio.

- NUNCA tente extinguir um incêndio com água; em vez disso, desligue o aparelho e, em seguida, cubra as chamas, por exemplo, com uma tampa ou uma manta de incêndio.

 AVISO: Perigo de incêndio: não guarde objetos nas superfícies de cozedura.


 Se a superfície estiver quebrada, desligue o aparelho para evitar a possibilidade de choque elétrico.

 AVISO: certifique-se de que o aparelho está desligado e separado da fonte de alimentação antes de efetuar trabalhos de manutenção.


 Risco de choque elétrico!

Nunca utilize equipamento de limpeza a vapor.

Não utilize produtos abrasivos ou corrosivos, detergentes à base de cloro ou esfregões de aço. Objetos metálicos tais como facas, garfos, colheres e tampas não devem ser pousados na superfície da placa uma vez que podem ficar quentes.

 **ATENÇÃO:** o aparelho não está concebido para ser operado através de um dispositivo de comutação externo como um temporizador ou um sistema separado controlado remotamente.

- Perigo de incêndio: não guarde objetos nas superfícies de cozedura.

 **ATENÇÃO:** o processo de cozedura tem de ser supervisionado. Um processo de cozedura breve tem de ser continuamente supervisionado.

INSTALAÇÃO

Todas as operações relativas à instalação (ligação elétrica) devem ser efetuadas por pessoal qualificado, em conformidade com os regulamentos em vigor.

Não olhe diretamente para a lâmpada de halogéneo.

Estas instruções destinam-se a um técnico qualificado, como orientação para a instalação, o ajuste e a manutenção, em conformidade com a legislação e as normas em vigor. Todas estas operações devem ser efetuadas sempre com o aparelho desligado do sistema elétrico.

O aparelho não se destina a ser utilizado com um temporizador externo ou um sistema de controlo remoto separado.

POSICIONAR

O aparelho pode ser montado numa zona de trabalho, conforme ilustrado na figura (Fig. 1a e Fig. 1b). Aplique a junta incluída em todo o perímetro da zona de trabalho.

FRSM 603 C TD BK / FRSM 604 C T BK

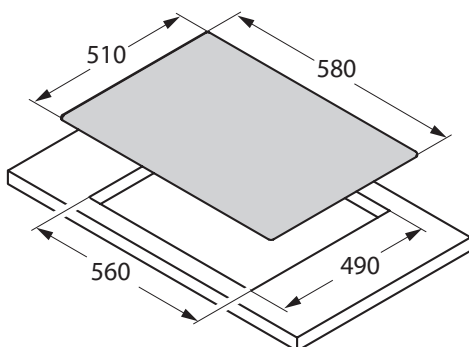



Fig. 1a

ELIMINAÇÃO DE ELETRODOMÉSTICOS

Este aparelho é fabricado com materiais recicláveis ou reutilizáveis. Elimine-o respeitando os regulamentos locais em matéria de eliminação de resíduos. Para mais informações sobre o tratamento, a valorização e a reciclagem de equipamentos elétricos domésticos, contacte as autoridades locais, o serviço de recolha de resíduos domésticos ou a loja onde comprou o aparelho. Este aparelho está marcado de acordo com a Diretiva Europeia 2012/19/UE relativa aos resíduos de equipamentos elétricos e eletrónicos (REEE).

Ao certificar-se de que este produto é eliminado corretamente está a contribuir para prevenir os impactos negativos sobre o ambiente e a saúde humana.

O símbolo  no produto, ou na documentação que o acompanha, indica que não deve ser tratado como lixo doméstico mas que deve ser encaminhado a um centro de recolho apropriado destinado à reciclagem de equipamentos elétricos e eletrónicos.

ELIMINAÇÃO DE MATERIAIS DE EMBALAGEM

Os diversos componentes da embalagem devem ser eliminados de forma responsável e em total conformidade com os regulamentos locais das autoridades em matéria de eliminação de resíduos.

DICAS PARA POUPAR ENERGIA

Aproveite ao máximo o calor residual da sua zona de cozedura desligando-a uns minutos antes de finalizar a cozedura.

O fundo da sua panela ou frigideira deve cobrir por completo a zona de cozedura;

um recipiente de menor tamanho que a zona de cozedura implicará uma perda de energia.

Cubra as suas panelas e frigideiras com tampas bem ajustadas enquanto cozinhar e utilize a menor quantidade de água possível. Cozinhar sem tampa aumenta substancialmente o consumo de energia.

FRSM 604 C T XS

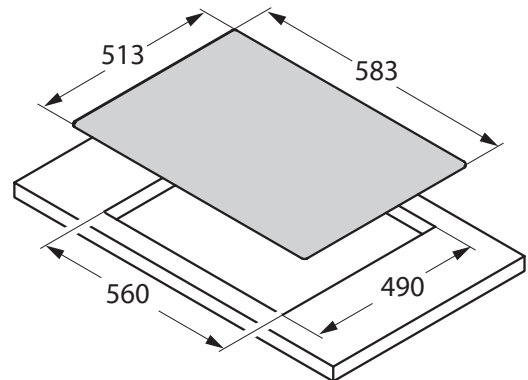


Fig. 1b

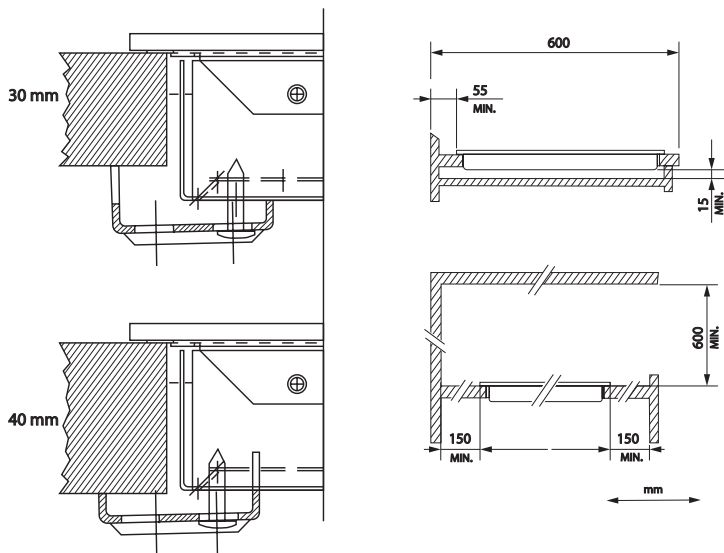


Fig. 2

LIGAÇÃO ELÉTRICA

Antes de efetuar as ligações elétricas, certifique-se de que:

- as características da instalação correspondem ao que está indicado na placa de características situada na parte inferior da placa;
- a instalação está equipada com uma ligação à terra adequada, em conformidade com as normas e a legislação em vigor.

A ligação à terra é obrigatória nos termos da lei. Se a placa não estiver equipada com um cabo ou uma ficha, utilize um material de absorção apropriado para a zona de trabalho, como indicado na placa de características. O cabo nunca deve aquecer mais do que 50 °C acima da temperatura ambiente.

Se a ligação for efetuada diretamente à rede elétrica, utilize um disjuntor multipolar de dimensão adequada à capacidade nominal, com uma distância de segurança que permita desligar por completo a alimentação elétrica sob condições de sobretensão da categoria III, em conformidade com os regulamentos de instalação (não se deve interromper o fio de terra amarelo/verde).

A ficha ou o disjuntor omnipolar deve ser facilmente acessível no aparelho instalado.

Os fabricantes rejeitam qualquer responsabilidade em caso de não cumprimento das instruções acima descritas, bem como no caso em que não se respeitam nem se seguem as normas para prevenção de acidentes.

NOTA: Certifique-se de que as características do sistema elétrico doméstico (tensão, energia máxima e corrente) são compatíveis com as do aparelho.

O CABO DE ALIMENTAÇÃO DEVE SER SUBSTITUÍDO APENAS POR UM ELETRICISTA QUALIFICADO.

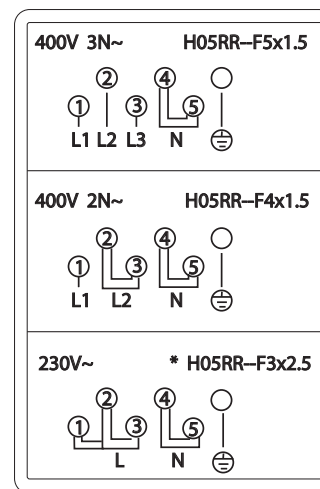
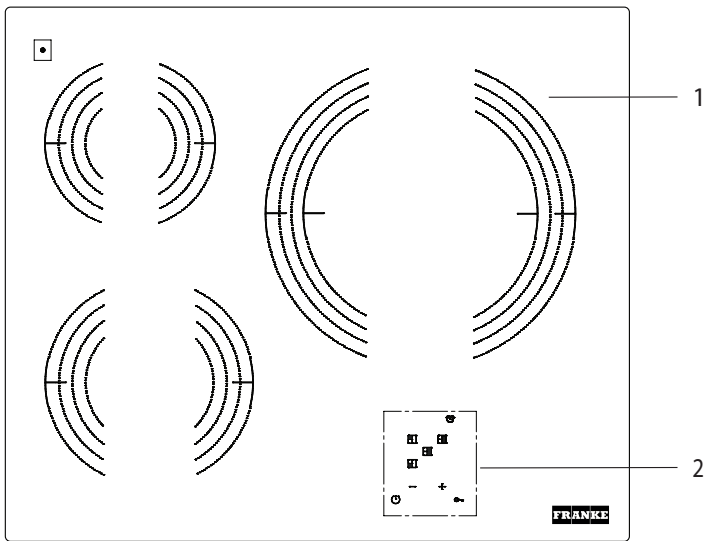


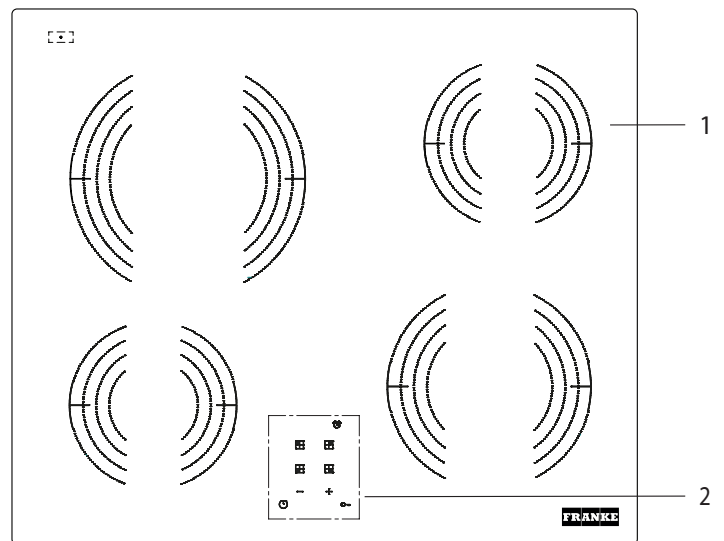
Fig. 3 Considerando o fator de contemporaneidade

VISTA GERAL

FRSM 603 C TD



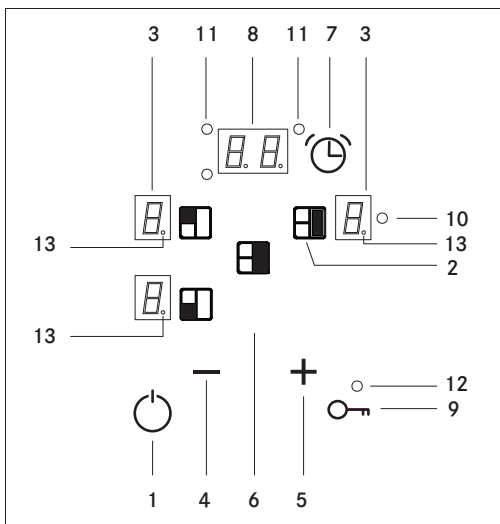
FRSM 604 C T



1. Placa
2. Painel de controlo

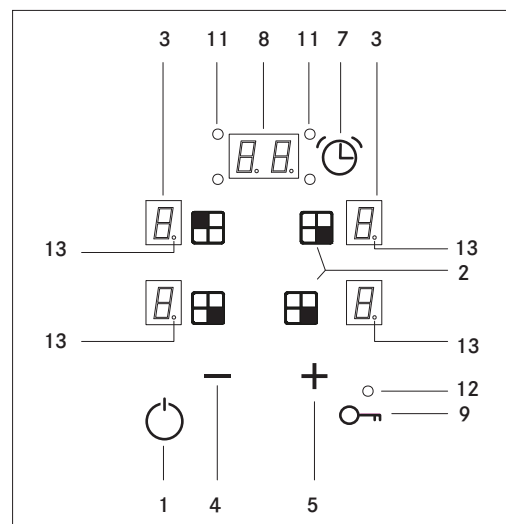
PAINEL DE CONTROLO

FRSM 603 C TD



1. Ligar/Desligar
2. Zona de cozedura
3. Indicação do ajuste
4. Menos
5. Mais
6. Circuito duplo apenas para FRSM 603 C TD
7. Temporizador

FRSM 604 C T



8. Indicação do temporizador
9. Função de bloqueio
10. Luz indicadora do circuito duplo
11. Luzes indicadoras do temporizador
12. Luz indicadora do bloqueio
13. Separador decimal

TECLAS SENSÍVEIS AO TOQUE

Todas as operações podem ser realizadas com as teclas sensíveis ao toque (sensores óticos) situadas na parte frontal do painel de controlo; cada tecla possui uma indicação correspondente.

Cada ação é confirmada por um sinal sonoro.

UTILIZAÇÃO DIÁRIA

CONTROLO TÁTIL DOS ELEMENTOS DE AQUECIMENTO

CONTROLO TÁTIL	INTENSIDADE DO AQUECIMENTO
1	fraco
2-3	suave
4	lento
5-6	médio
7-8	intenso
9	vivo

LIGAR UMA ZONA DE COZEDURA

1. Toque na tecla tátil durante 2 segundos.

O controlo está ligado: os indicadores do nível de potência (3) mostram 0.

2. Realize a próxima operação dentro de 10 segundos; caso contrário, o aparelho desligar-se-á automaticamente.

- Prima a tecla (2) que corresponde à zona de cozedura. A indicação correspondente mostrará 0 a piscar, indicando que a zona está ligada.
- Ajuste o nível de potência (1 a 9) com as teclas **+** e **-** (5/4). As teclas **+** e **-** têm uma função repetidora, ou seja, manter estas teclas premidas aumentará ou reduzirá o ajuste em uma unidade a cada 0,3 segundos.

FUNÇÕES

ZONA DE COZEDURA DE CIRCUITO DUPLO (APENAS MODELO FRSM 603 C TD)

A zona de cozedura pode estar equipada com um circuito duplo, por exemplo, um disco central e uma coroa exterior.

Pode utilizar apenas a zona central ou ambas as zonas em conjunto e, assim, adaptar a zona de cozedura ao tamanho do recipiente.

LIGAR UMA ZONA DE COZEDURA DE CIRCUITO DUPLO (APENAS MODELO FRSM 603 C TD)

A zona correspondente deve estar ligada.

- Selecione o nível de potência desejado (1 a 9).
- Ligue o segundo circuito premindo a tecla do circuito duplo (6).

A luz indicadora (10) da zona selecionada acender-se-á; o segundo circuito está ligado juntamente com o primeiro.

NOTA: A função KeyLock é ativada da primeira vez que a placa for ligada à fonte de alimentação.

Prima o botão (9) para a desativar e começar a utilizar o produto.

Apenas uma zona de cozedura pode estar ligada de cada vez, pelo que apenas uma zona da placa pisca de cada vez.

DESLIGAR UMA ZONA DE COZEDURA

A zona de cozedura deve estar ligada.

Reduza o nível de potência a 0 premindo (4).

A zona de cozedura desligar-se-á automaticamente passados 10 segundos.

DESLIGAR RAPIDAMENTE

A zona de cozedura deve estar ligada.

Prima simultaneamente as teclas **+** e **-** (5/4) e a zona desligar-se-á imediatamente.

INDICADORES DE CALOR RESIDUAL

Enquanto a zona de cozedura ainda estiver suficientemente quente para causar queimaduras, a indicação correspondente mostra o símbolo **H** (calor residual).

O símbolo só desaparece quando a temperatura descer abaixo dos 60 °C e já não houver risco de queimaduras.

A indicação mostra 0 enquanto a temperatura permanecer abaixo dos 60 °C, passado a H apenas quando a temperatura subir acima dos 60 °C.

- Desligue a zona de cozedura antes do fim da cozedura para utilizar o calor residual e poupar energia.

O indicador de calor residual **H** apagar-se-á se a fonte de alimentação for interrompida.

O aparelho poderá ser desligado em qualquer momento premindo a tecla de energia (1).

DESLIGAR O SEGUNDO CIRCUITO DE UMA ZONA DE COZEDURA DE CIRCUITO DUPLO (APENAS MODELO FRSM 603 C TD)

A zona de circuito duplo deve estar ligada.

Toque na tecla do circuito duplo (6).

A luz indicadora (10) apaga-se e o segundo circuito desliga-se.

FUNÇÃO DE BLOQUEIO DO APARELHO

Premindo a tecla de bloqueio (9) é possível bloquear a totalidade do aparelho para evitar qualquer operação involuntária. Isto serve igualmente como função de segurança para crianças.

Se a função de bloqueio não for desativada antes que o aparelho seja desligado, continuará a estar ativa da próxima vez que o aparelho for ligado.

O acionamento das teclas não terá qualquer efeito enquanto a função de bloqueio estiver ativada.

DESATIVAÇÃO AUTOMÁTICA DE SEGURANÇA

Se uma ou mais zonas de cozedura são deixadas ligadas de forma involuntária, o controlo desliga-as automaticamente ou reduz a sua potência após um determinado espaço de tempo.

Em caso de desativação automática de segurança, os símbolos **H** ou **Fc** piscam na indicação.

Para evitar a desativação automática, basta tocar na tecla de selecção da zona ou nas teclas **+** e **-** antes da expiração do limite temporal.

PRÉ-AQUECIMENTO AUTOMÁTICO

Esta função simplifica o processo de cozedura ao suprimir a necessidade de intervenção humana.

A zona de cozedura é primeiro pré-aquecida à potência máxima para que atinja a temperatura de cozedura; em seguida, a potência é automaticamente reduzida até ao nível predefinido (tab. 1).

NÍVEL DE POTÊNCIA	FUNÇÃO DE PRÉ-AQUECIMENTO AUTOMÁTICO
1	1' 11"
2	2' 44"
3	4' 47"
4	5' 28"
5	6' 29"
6	1' 11"
7	2' 44"
8	2' 44"
9	-

ATIVAR A FUNÇÃO DE PRÉ-AQUECIMENTO AUTOMÁTICO

- Selecione a zona de cozedura premindo a tecla (2).
- Selecione o nível de potência 9 através da tecla **-**. Selecione, em seguida, através da tecla **+**, o nível 9 com um separador decimal.
- Selecione o nível de potência desejado, por exemplo, 6, através da tecla **-**.
- No modo de pré-aquecimento automático, a indicação da zona de cozedura mostrará, alternadamente, o nível definido (6) com um separador decimal (13).

ALTERAÇÃO DO AJUSTE DO NÍVEL DE POTÊNCIA DURANTE O PRÉ-AQUECIMENTO AUTOMÁTICO

A zona de cozedura correspondente deve estar ligada.

O separador decimal (13) na indicação correspondente deve estar aceso.

O valor de aquecimento só pode ser aumentado com a tecla **+**.

Se o nível for aumentado, o novo tempo de pré-aquecimento será calculado tomando em consideração o tempo decorrido desde o ajuste anterior.

Exemplo: o nível 1 foi selecionado primeiro, correspondendo-lhe um tempo de pré-aquecimento de 1' 11".

Após 30 minutos, o nível de potência é aumentado para 4, que requiere um tempo de pré-aquecimento de 5' 28".

Depois da alteração do nível, o pré-aquecimento automático durará outros 4" 58" ($5' 28'' - 30'' = 4' 58''$).

DESATIVAÇÃO DA FUNÇÃO DE PRÉ-AQUECIMENTO AUTOMÁTICO

A zona correspondente deve estar ligada.

O separador decimal (13) na indicação correspondente deve estar aceso.

- Prima **-** (4) depois de a função estar ativada durante, pelo menos, 10 segundos.

FUNÇÃO DO TEMPORIZADOR

Esta função automática também suprime a necessidade de intervenção humana durante todo o ciclo de cozedura.

A zona de cozedura desliga-se automaticamente passado o espaço de tempo ajustado.

ATIVAÇÃO DA FUNÇÃO DO TEMPORIZADOR

A zona a programar deve estar ligada.

- Selecione um nível entre 1 e 9.
- Prima a tecla do temporizador (7), a indicação do temporizador mostrará 00.
- Selecione o tempo de cozedura (entre 0 e 99 minutos) através das teclas **+** e **-** (5 e 4). A função do temporizador é ativada automaticamente passados alguns segundos.

A luz indicadora (11) que corresponde à zona programada acende-se.

- Mantenha a tecla **+** ou **-** premida para rapidamente ajustar o tempo de cozedura.

A função do temporizador aplica-se a todas as zonas da placa.

ALTERAÇÃO DE UM TEMPO DE COZEDURA PREVIAMENTE DEFINIDO

O tempo de cozedura programado pode ser alterado em qualquer momento.

A zona correspondente deve estar ligada.

A indicação correspondente pisca juntamente com o LED que corresponde ao temporizador da zona (11).

- Prima a tecla do temporizador (7).
- Defina um novo tempo de cozedura através das teclas **+** e **-** (5 e 4).
- Mantenha a tecla **+** ou **-** premida para rapidamente ajustar o tempo de cozedura

DESLIGAR A FUNÇÃO DO TEMPORIZADOR

Uma vez decorrido o tempo de cozedura ajustado, soará um sinal audível durante 2 minutos. Basta premir uma qualquer tecla para interromper o sinal.

A zona de cozedura está agora desligada.

Se desejar interromper o temporizador antes que decorra o tempo programado, a zona correspondente deve estar ligada.

- Prima a tecla do temporizador (7).
- Coloque o temporizador a zero premindo **-** (4).

O temporizador está agora desativado mas a zona de cozedura permanecerá ligada até ser desligada manualmente.

DESLIGAR RAPIDAMENTE

1. A zona correspondente deve estar ligada.
2. Prima simultaneamente as teclas **+** e **-** (5 e 4); a zona de cozedura desliga-se imediatamente. O temporizador também será desativado.

DADOS TÉCNICOS

ELEMENTOS DE AQUECIMENTO	POTÊNCIA NOMINAL
elemento radiante de circuito único Ø 210 (FRSM 604 C T)	2100 W
elemento radiante de circuito único Ø 140 (FRSM 603 C TD / 2 x FRSM 604 C T)	1200 W
elemento radiante de circuito único Ø 180 (FRSM 603 C TD)	1700 W
elemento radiante de circuito único Ø 180 (FRSM 604 C T)	1700 W
elemento radiante de circuito duplo Ø 210/270 (FRSM 603 C TD)	1500/2400 W

LIMPEZA E MANUTENÇÃO

Antes de mais, retire os restos de comida e as gotas de gordura da superfície de cozedura com o raspador especial (Fig. 4).

Em seguida, limpe as superfícies de cozedura com produtos específicos para vitrocerâmica e um pano de papel; depois, enxague com água e seque com um pano limpo.

Restos de folha de alumínio e material plástico que se tenham inadvertidamente fundido, bem como restos de açúcar ou de alimentos com alto teor de açúcar, devem ser eliminados de imediato com o raspador especial das zonas de cozedura quentes (Fig. 4).

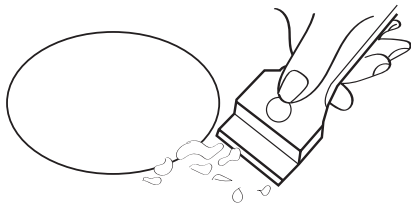


Fig. 4

Isto é imprescindível para evitar possíveis danos na superfície da placa.

Em nenhum caso devem utilizar-se esponjas abrasivas nem detergentes químicos corrosivos, como removedores de manchas.

NÃO UTILIZE APARELHOS DE LIMPEZA A VAPOR.

SUORTE

No caso de surgirem alguns problemas de funcionamento, contacte um centro de assistência técnica da Franke.

Nunca recorra aos serviços de técnicos não autorizados.

Quando contactar a assistência ao cliente, indique as seguintes informações:

- tipo de avaria
- modelo do aparelho (Art.)
- número de série (N.S.)

Ao utilizar as zonas de cozedura, recomendamos utilizar recipientes de fundo plano (Fig. 5) de diâmetro similar ou ligeiramente superior ao da zona quente.



Fig. 5

- Evite derrames de líquidos. Assim, quando a fervura tiver ocorrido, ou sempre que se aquecem líquidos, reduza a intensidade de calor.
- Não deixe as zonas de cozedura ligadas sem recipientes em cima, ou com panelas e frigideiras vazias.

Se detetar uma racha, por pequena que seja, na superfície de cozedura, desligue imediatamente a alimentação elétrica para evitar a possibilidade de choque elétrico.



WWW.FRANKE.COM

© Franke Technology and Trademark Ltd., Switzerland

ΠΙΝΑΚΑΣ ΠΕΡΙΕΧΟΜΕΝΩΝ


ΠΛΗΡΟΦΟΡΙΕΣ ΓΙΑ ΤΗΝ ΑΣΦΑΛΕΙΑ	54
ΕΓΚΑΤΑΣΤΑΣΗ	55
ΗΛΕΚΤΡΙΚΗ ΣΥΝΔΕΣΗ.....	56
ΕΠΙΣΚΟΠΗΣΗ	57
ΚΑΘΗΜΕΡΙΝΗ ΧΡΗΣΗ	58
ΛΕΙΤΟΥΡΓΙΕΣ	58
ΤΕΧΝΙΚΑ ΔΕΔΟΜΕΝΑ	60
ΚΑΘΑΡΙΣΜΟΣ ΚΑΙ ΣΥΝΤΗΡΗΣΗ.....	60
ΥΠΟΣΤΗΡΙΞΗ	60

Διαβάστε τις οδηγίες χρήσης πριν χρησιμοποιήσετε το προϊόν για πρώτη φορά.

Ο κατασκευαστής δεν μπορεί να φέρει ευθύνη για πιθανή ζημιά που μπορεί να προκληθεί λόγω εσφαλμένης εγκατάστασης και εσφαλμένης, ακατάλληλης ή παράλογης χρήσης της συσκευής. Για να διασφαλίσετε τη ασφαλή και αποτελεσματική λειτουργία αυτής της ηλεκτρικής συσκευής: Επικοινωνείτε μόνο με εξουσιοδοτημένα κέντρα σέρβις.


Μην τροποποιείτε κανένα χαρακτηριστικό της συσκευής.


Η συσκευή δεν προορίζεται για χρήση από άτομα (συμπεριλαμβανομένων παιδιών) με μειωμένες σωματικές, αισθητηριακές ή νοητικές ικανότητες ή με έλλειψη πείρας και γνώσης, εκτός εάν επιβλέπονται ή έχουν λάβει οδηγίες.


 Η συσκευή αυτή μπορεί να χρησιμοποιηθεί από παιδιά ηλικίας 8 ετών και άνω και άτομα με μειωμένες σωματικές, αισθητηριακές ή διανοητικές ικανότητες ή έλλειψη πείρας και γνώσης, εφόσον βρίσκονται υπό επιτήρηση ή έχουν λάβει οδηγίες σχετικά με την ασφαλή χρήση της συσκευής και κατανοούν τους κινδύνους που συνεπάγεται.


Τα παιδιά απαγορεύεται να παίζουν με τη συσκευή. Οι εργασίες καθαρισμού και συντήρησης από τον χρήστη δεν πρέπει να εκτελούνται από παιδιά χωρίς επιτήρηση.

Τα παιδιά πρέπει να βρίσκονται υπό επιτήρηση ώστε να μην παίζουν με τη συσκευή.


 Πρέπει να είναι δυνατή η αποσύνδεση της συσκευής από την τροφοδοσία μέσω αποσύνδεσης της από την πρίζα, εάν είναι προσβάσιμο το βύσμα, ή με έναν πολυπολικό διακόπτη εγκατεστημένο πριν από την πρίζα σύμφωνα με τους κανόνες καλωδίωσης και η συσκευή πρέπει να είναι γειωμένη σύμφωνα με τα εθνικά πρότυπα για την ηλεκτρική ασφάλεια.

 Μη χρησιμοποιείτε καλώδια επέκτασης, πολύπριζα ή προσαρμογείς. Τα ηλεκτρικά εξαρτήματα δεν πρέπει να είναι προσβάσιμα από τον χρήστη μετά την εγκατάσταση. Μη χρησιμοποιείτε τη συσκευή όταν είστε βρεγμένοι ή ξυπόλητοι. Μη χρησιμοποιείτε αυτήν τη συσκευή εάν έχει φθαρμένο καλώδιο τροφοδοσίας ή βύσμα, εάν δεν λειτουργεί σωστά ή εάν έχει υποστεί ζημιά ή έχει πέσει.


 Αν το καλώδιο τροφοδοσίας υποστεί ζημιά, πρέπει να αντικατασταθεί με πανομοιότυπο καλώδιο από τον κατασκευαστή, από τον τεχνικό σέρβις του ή από άλλα παρόμοια καταρτισμένα άτομα, προς αποφυγή του κινδύνου ηλεκτροπληξίας.


 ΠΡΟΕΙΔΟΠΟΙΗΣΗ: Η συσκευή και ορισμένα από τα προσβάσιμα σημεία της μπορεί να ζεσταθούν πολύ κατά τη χρήση. Θα πρέπει να προσέχετε και να αποφεύγετε να αγγίζετε τα θερμαντικά στοιχεία.

- Κρατήστε τα παιδιά ηλικίας κάτω των 8 ετών μακριά από τη συσκευή εκτός εάν επιτηρούνται διαρκώς.

 ΠΡΟΕΙΔΟΠΟΙΗΣΗ: Ανεπίβλεπτο μαγείρεμα σε εστία με λίπη ή λάδι μπορεί να γίνει επικίνδυνο και να προκαλέσει πυρκαγιά.

- ΠΟΤΕ μην προσπαθήσετε να σβήσετε τη φωτιά με νερό, αλλά απενεργοποιήστε τη συσκευή και στη συνέχεια καλύψτε τις φλόγες π.χ. με καπάκι ή πυρίμαχη κουβέρτα.

 ΠΡΟΕΙΔΟΠΟΙΗΣΗ: Κίνδυνος πυρκαγιάς: Μην αποθηκεύετε αντικείμενα στις επιφάνειες μαγειρέματος.

 Αν η επιφάνεια είναι ραγισμένη, απενεργοποιήστε τη συσκευή προς αποφυγή πιθανότητας ηλεκτροπληξίας.

ΠΡΟΕΙΔΟΠΟΙΗΣΗ: Πριν εκτελέσετε οποιαδήποτε εργασία συντήρησης, βεβαιωθείτε ότι η συσκευή είναι απενεργοποιημένη και αποσυνδεδεμένη από την παροχή ρεύματος.

Κίνδυνος ηλεκτροπληξίας!

Μη χρησιμοποιείτε ποτέ εξοπλισμό καθαρισμού με ατμό.

Μη χρησιμοποιείτε λειαντικά ή διαβρωτικά προϊόντα, καθαριστικά με βάση το χλώριο ή καθαριστικά ταψιών. Μεταλλικά αντικείμενα όπως μαχαίρια, πιρούνια, κουτάλια και καπάκια δεν πρέπει να τοποθετούνται στην επιφάνεια των εστιών διότι μπορούν να υπερθερμανθούν.

ΠΡΟΣΟΧΗ: η συσκευή δεν προορίζεται για χειρισμό μέσω εξωτερικής συσκευής μεταγωγής, όπως χρονοδιακόπτης ή χωριστό τηλεχειριζόμενο σύστημα.

- **Κίνδυνος πυρκαγιάς:** Μην αποθηκεύετε αντικείμενα στις επιφάνειες μαγειρέματος.

ΠΡΟΣΟΧΗ: Η διαδικασία μαγειρέματος πρέπει να επιτηρείται. Μια βραχυπρόθεσμη διαδικασία μαγειρέματος πρέπει να επιτηρείται αδιάλειπτα.

ΕΓΚΑΤΑΣΤΑΣΗ

Όλες οι εργασίες σε σχέση με την εγκατάσταση (ηλεκτρική σύνδεση) θα πρέπει να εκτελούνται από εξειδικευμένο προσωπικό σύμφωνα με τους ισχύοντες κανόνες.

Μην κοιτάτε τη λάμπα αλογόνου.

Αυτές οι οδηγίες απευθύνονται στον εξειδικευμένο τεχνικό, ως οδηγός εγκατάστασης, ρύθμισης και συντήρησης, σύμφωνα με τους ισχύοντες νόμους και πρότυπα. Οποιαδήποτε από αυτές τις λειτουργίες πρέπει να εκτελείται πάντα όταν η συσκευή έχει αποσυνδεθεί από το ηλεκτρικό σύστημα.

Η συσκευή δεν προορίζεται για χρήση με εξωτερικό χρονοδιακόπτη ή χωριστό σύστημα τηλεχειρισμού.


ΤΟΠΟΘΕΤΗΣΗ

Η συσκευή μπορεί να τοποθετηθεί σε περιοχή εργασίας όπως φαίνεται στην εικόνα (Εικ. 1a και Εικ. 1b). Εφαρμόστε το παρεχόμενο στεγανοποιητικό σε όλη την περίμετρο της περιοχής εργασίας.

ΑΠΟΡΡΙΨΗ ΟΙΚΙΑΚΩΝ ΣΥΣΚΕΥΩΝ

Αυτή η συσκευή είναι κατασκευασμένη με ανακυκλώσιμα ή επαναχρησιμοποιήσιμα υλικά. Απορρίψτε τη σύμφωνα με τους τοπικούς κανονισμούς για τη διάθεση των απορριμμάτων. Για περισσότερες πληροφορίες σχετικά με την επεξεργασία, την ανάκτηση και την ανακύκλωση οικιακών ηλεκτρικών συσκευών, επικοινωνήστε με την τοπική αρχή, την υπηρεσία συλλογής οικιακών απορριμμάτων ή το κατάστημα όπου αγοράσατε τη συσκευή. Αυτή η συσκευή φέρει σήμανση σύμφωνα με την ευρωπαϊκή οδηγία 2012/19/ΕΕ για τα απόβλητα ηλεκτρικού και ηλεκτρονικού εξοπλισμού (ΑΗΗΕ).

Διασφαλίζοντας τη σωστή απόρριψη αυτού του προϊόντος, θα βοηθήσετε στην αποφυγή αρνητικών συνεπειών για το περιβάλλον και την ανθρώπινη υγεία.

Το σύμβολο  στο προϊόν ή στη συνοδευτική τεκμηρίωση υποδεικνύει ότι δεν θα πρέπει να αντιμετωπιστεί ως οικιακό απόβλητο, αλλά θα πρέπει να μεταφερθεί σε κατάλληλο κέντρο συλλογής για την ανακύκλωση ηλεκτρικού και ηλεκτρονικού εξοπλισμού.

ΑΠΟΡΡΙΨΗ ΥΛΙΚΩΝ ΣΥΣΚΕΥΑΣΙΑΣ

Τα διάφορα μέρη της συσκευασίας πρέπει να απορρίπτονται υπεύθυνα και σε πλήρη συμμόρφωση με τους κανονισμούς των τοπικών αρχών οι οποίοι διέπουν τη διάθεση των απορριμμάτων.

ΣΥΜΒΟΥΛΕΣ ΓΙΑ ΤΗΝ ΕΞΟΙΚΟΝΟΜΗΣΗ ΕΝΕΡΓΕΙΑΣ

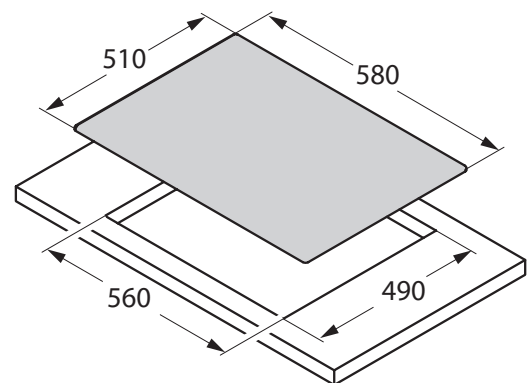
Για να αξιοποιήσετε στο έπακρο την υπολειπόμενη θερμότητα της εστίας σας, απενεργοποιήστε τη λίγα λεπτά πριν τελειώσετε το μαγείρεμα.

Η βάση της κατσαρόλας ή του τηγανιού σας πρέπει να καλύπτει πλήρως την εστία.

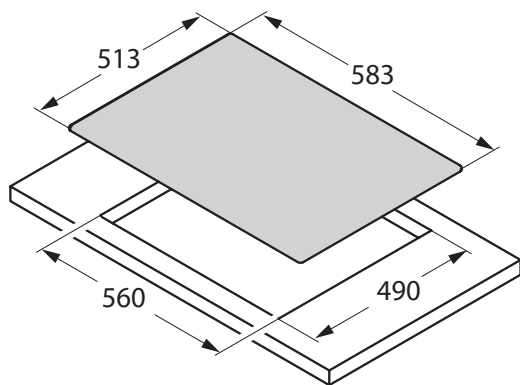
Αν το σκεύος είναι μικρότερο από την εστία, θα προκληθεί σπατάλη ενέργειας.

Καλύπτετε τις κατσαρόλες και τα τηγάνια σας με καπάκια που εφαρμόζουν καλά κατά το μαγείρεμα και χρησιμοποιείτε όσο το δυνατόν λιγότερο νερό. Το μαγείρεμα χωρίς καπάκι αυξάνει σημαντικά την κατανάλωση ενέργειας.

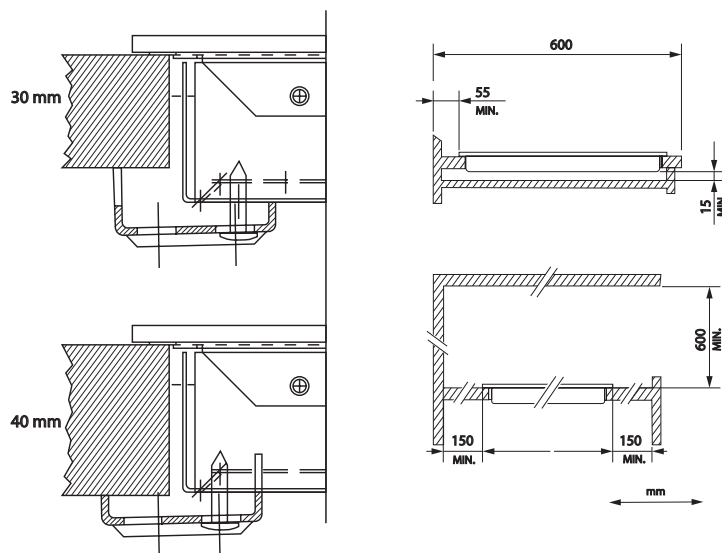
FRSM 603 C TD BK / FRSM 604 C T BK



Εικ. 1a



Εικ. 1b



Εικ. 2

ΗΛΕΚΤΡΙΚΗ ΣΥΝΔΕΣΗ

Πριν πραγματοποιήσετε την ηλεκτρική σύνδεση, βεβαιωθείτε ότι:

- τα χαρακτηριστικά της εγκατάστασης είναι τέτοια ώστε να ακολουθούν αυτό που υποδεικνύεται στην πινακίδα τεχνικών χαρακτηριστικών που βρίσκεται στο κάτω μέρος της εστίας μαγειρέματος.
- ότι η εγκατάσταση διαθέτει αποτελεσματική σύνδεση γείωσης, σύμφωνα με τα ισχύοντα πρότυπα και νομοθετικές διατάξεις.

Η σύνδεση γείωσης είναι υποχρεωτική σύμφωνα με τη νομοθεσία. Εάν δεν υπάρχει καλώδιο και/ή βύσμα στην εστία μαγειρέματος, χρησιμοποιήστε επίσης απορροφητικό υλικό κατάλληλο για τη θερμοκρασία εργασίας, όπως υποδεικνύεται στην πινακίδα τεχνικών χαρακτηριστικών. Σε καμία περίπτωση το καλώδιο δεν πρέπει να φτάσει σε θερμοκρασία μεγαλύτερη από 50°C από τη θερμοκρασία περιβάλλοντος.

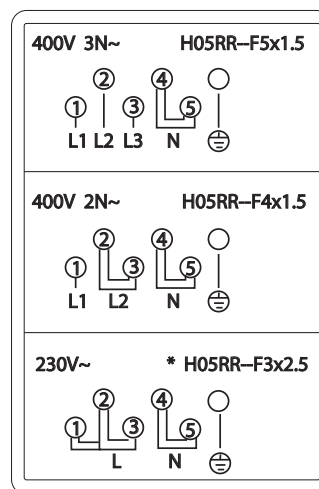
Εάν συνδέσετε απευθείας στο ηλεκτρικό δίκτυο, τοποθετήστε έναν πολυπολικό διακόπτη κατάλληλου μεγέθους για την ονομαστική χωρητικότητα με απόσταση που να αποσυνδέει πλήρως τον αγωγό ρεύματος σε συνθήκες υπέρτασης κατηγορίας III, σύμφωνα με τους κανόνες εγκατάστασης (το κίτρινο/πράσινο καλώδιο γείωσης δεν πρέπει να διακόπτεται).

Το βύσμα ή ο πολυπολικός διακόπτης πρέπει να είναι εύκολα προσβάσιμα στον εγκατεστημένο εξοπλισμό.

Οι κατασκευαστές αποποιούνται κάθε ευθύνη σε περίπτωση μη συμμόρφωσης με όσα περιγράφονται παραπάνω και μη σεβασμού και μη τήρησης των κανόνων για την πρόληψη των ατυχημάτων.

ΣΗΜΕΙΩΣΗ: Βεβαιωθείτε ότι τα χαρακτηριστικά του οικιακού ηλεκτρικού συστήματος (τάση, μέγιστη ισχύς και ρεύμα) είναι συμβατά με τα χαρακτηριστικά της συσκευής.

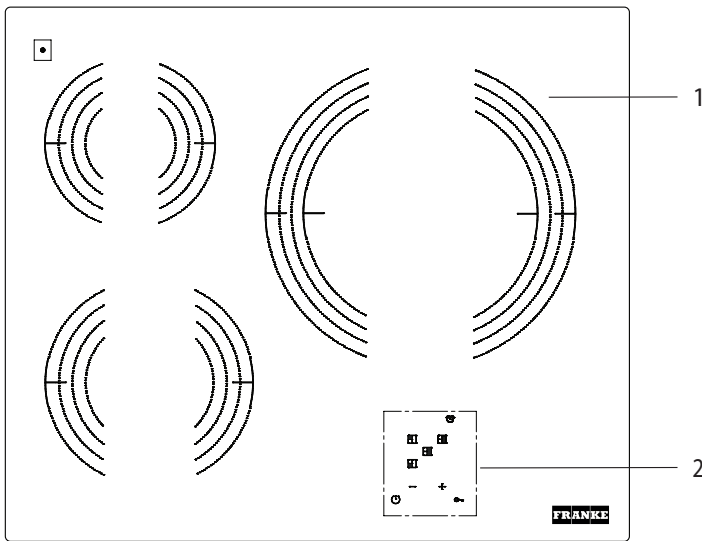
ΤΟ ΚΑΛΩΔΙΟ ΤΡΟΦΟΔΟΣΙΑΣ ΠΡΕΠΕΙ ΝΑ ΑΝΤΙΚΑΤΑΣΤΑΘΕΙ ΜΟΝΟ ΑΠΟ ΕΙΔΙΚΕΥΜΕΝΟ ΗΛΕΚΤΡΟΛΟΓΟ.



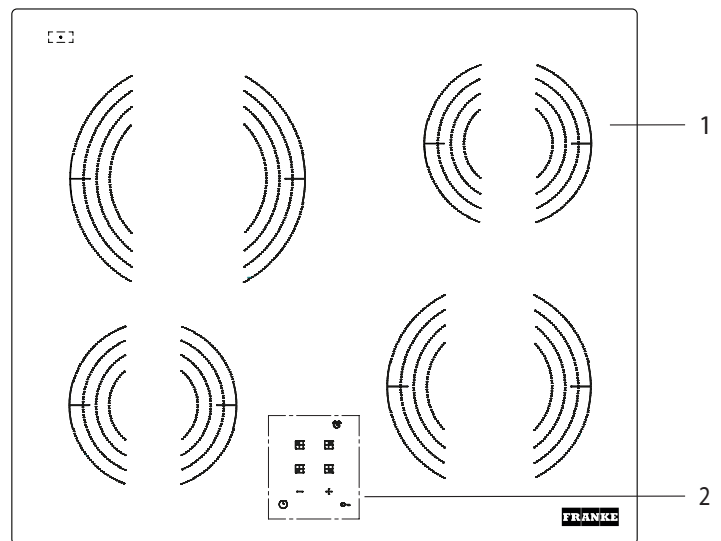
Εικ. 3 Λαμβάνεται υπόψη ο παράγοντας της συγχρονικότητας

ΕΠΙΣΚΟΠΗΣΗ

FRSM 603 C TD



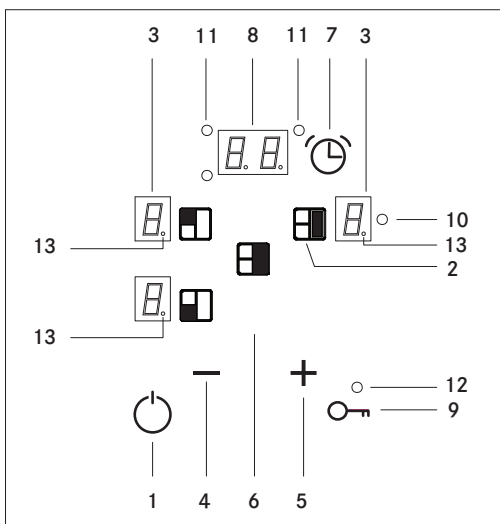
FRSM 604 C T



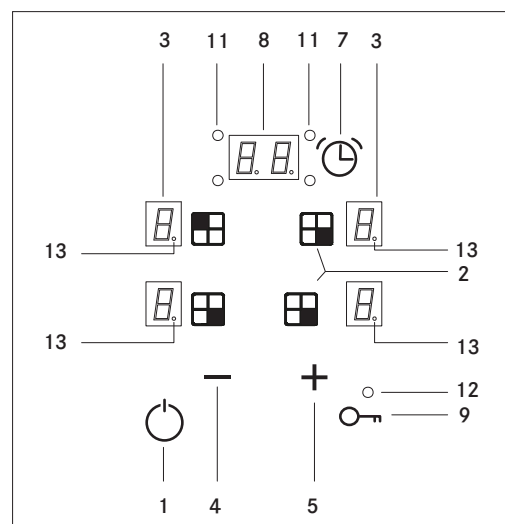
1. Πλάκα μαγειρέματος
2. Πίνακας ελέγχου

ΠΙΝΑΚΑΣ ΕΛΕΓΧΟΥ

FRSM 603 C TD



FRSM 604 C T



1. Ενεργοποίηση/Απενεργοποίηση
2. Ζώνη μαγειρέματος
3. Οθόνη ρύθμισης
4. Μείον
5. Συν
6. Διπλό κύκλωμα μόνο για το FRSM 603 C TD
7. Χρονόμετρο

8. Οθόνη χρονόμετρου
9. Λειτουργία κλειδώματος
10. LED διπλού κυκλώματος
11. Φώτα ένδειξης χρονόμετρου
12. LED κυκλώματος
13. Υποδιαστολή

ΠΛΗΚΤΡΑ ΑΦΗΣ

Όλες οι λειτουργίες μπορούν να εκτελεστούν με τα πλήκτρα αφής (οπτικούς αισθητήρες) που βρίσκονται στην μπροστινή όψη του πίνακα ελέγχου. Κάθε πλήκτρο αντιστοιχεί σε μια οθόνη.

Κάθε δραστηριότητα επιβεβαιώνεται με έναν ήχο «μπιπ».

ΣΗΜΕΙΩΣΗ: Την πρώτη φορά που θα συνδεθεί η εστία στην τροφοδοσία, θα ενεργοποιηθεί η λειτουργία KeyLock.


Πατήστε το κουμπί (9) για να την απενεργοποιήσετε και να αρχίσετε να χρησιμοποιείτε το προϊόν.

ΚΑΘΗΜΕΡΙΝΗ ΧΡΗΣΗ

ΘΕΡΜΑΝΤΙΚΑ ΣΤΟΙΧΕΙΑ ΜΕ ΧΕΙΡΙΣΤΗΡΙΟ ΑΦΗΣ

ΧΕΙΡΙΣΤΗΡΙΟ ΑΦΗΣ	ΕΝΤΑΣΗ ΘΕΡΜΟΤΗΤΑΣ
1	Αδύναμη
2-3	Ήπια
4	Αργή
5-6	Μέση
7-8	Δυνατή
9	Εξαιρετικά δυνατή

ΑΠΕΝΕΡΓΟΠΟΙΗΣΗ ΖΩΝΗΣ ΜΑΓΕΙΡΕΜΑΤΟΣ

1. Αγγίξτε το πλήκτρο αφής  για 2 δευτερόλεπτα. Το χειριστήριο ενεργοποιείται: οι ενδείξεις βαθμίδας ισχύος (3) δείχνουν 0.

2. Εκτελέστε τον επόμενο χειρισμό εντός 10 δευτερολέπτων, ειδάλλως η συσκευή θα απενεργοποιηθεί αυτόματα.

- Πατήστε το πλήκτρο (2) που αντιστοιχεί στη ζώνη μαγειρέματος. Η σχετική οθόνη θα εμφανίσει το 0 που αναβοσβήνει για να υποδείξει ότι η ζώνη είναι ενεργοποιημένη.
- Επιλέξτε βαθμίδα ισχύος (1 έως 9) με τα πλήκτρα **+** και **-** (5/4). Τα πλήκτρα **+** και **-** και έχουν λειτουργία επαναλήπτη, δηλαδή αν κρατηθούν πατημένα αυτά τα πλήκτρα αυξάνεται ή μειώνεται η ρύθμιση κατά μία μονάδα κάθε 0,3 δευτερόλεπτα.

Μόνο μία ζώνη μαγειρέματος μπορεί να ενεργοποιείται κάθε φορά, επομένως μόνο μία ζώνη εστίας αναβοσβήνει κάθε φορά.

ΑΠΕΝΕΡΓΟΠΟΙΗΣΗ ΖΩΝΗΣ ΜΑΓΕΙΡΕΜΑΤΟΣ

Η ζώνη μαγειρέματος πρέπει να είναι ενεργοποιημένη.

Μειώστε τη βαθμίδα ισχύος στο 0 πατώντας το (4).

Η ζώνη μαγειρέματος απενεργοποιείται αυτόματα ύστερα από 10 δευτερόλεπτα.

ΓΡΗΓΟΡΗ ΑΠΕΝΕΡΓΟΠΟΙΗΣΗ

Η ζώνη μαγειρέματος πρέπει να είναι ενεργοποιημένη.

Πατήστε ταυτόχρονα τα πλήκτρα **+** και **-** (5/4) και η ζώνη θα απενεργοποιηθεί αμέσως.

ΕΝΔΕΙΞΕΙΣ ΠΑΡΑΜΕΝΟΥΣΑΣ ΘΕΡΜΟΤΗΤΑΣ

Ενώ η ζώνη μαγειρέματος είναι ακόμα αρκετά ζεστή ώστε να προκαλέσει εγκαύματα, στην αντίστοιχη οθόνη εμφανίζεται το σύμβολο **H** (παραμένουσα θερμότητα).

Το σύμβολο σβήνει μόνο όταν η θερμοκρασία πέσει κάτω από τους 60 °C και δεν υπάρχει πλέον κίνδυνος εγκαύματος.

Η οθόνη δείχνει 0 για όσο χρόνο η θερμοκρασία παραμένει κάτω από τους 60 °C και αλλάζει σε H μόνο όταν η θερμοκρασία ανεβεί πάνω από 60 °C.

- Απενεργοποιήστε τη ζώνη μαγειρέματος πριν ολοκληρωθεί το μαγείρεμα, προκειμένου να χρησιμοποιήσετε την παραμένουσα θερμότητα για εξοικονόμηση ενέργειας.

Η ένδειξη παραμένουσας θερμότητας **H** θα σβήσει εάν διακοπεί η τροφοδοσία.

Η συσκευή μπορεί να απενεργοποιηθεί ανά πάσα στιγμή μέσω του πλήκτρου τροφοδοσίας (1).

ΛΕΙΤΟΥΡΓΙΕΣ

ΖΩΝΗ ΜΑΓΕΙΡΕΜΑΤΟΣ ΔΙΠΛΟΥ ΚΥΚΛΩΜΑΤΟΣ (ΜΟΝΟ ΜΟΝΤΕΛΟ FRSM 603 C TD)

Η ζώνη μαγειρέματος μπορεί να είναι εξοπλισμένη με διπλό κύκλωμα, π.χ. έναν κεντρικό δίσκο και έναν εξωτερικό δακτύλιο.

Μπορείτε να χρησιμοποιήσετε είτε την κεντρική ζώνη μόνη της είτε και τις δύο ζώνες μαζί κι έτσι να προσαρμόσετε την περιοχή μαγειρέματος ώστε να ταιριάζει στο μέγεθος της κατσαρόλας.

ΕΝΕΡΓΟΠΟΙΗΣΗ ΔΙΠΛΟΥ ΚΥΚΛΩΜΑΤΟΣ ΖΩΝΗΣ ΜΑΓΕΙΡΕΜΑΤΟΣ (ΜΟΝΟ ΜΟΝΤΕΛΟ FRSM 603 C TD)

Η σχετική ζώνη πρέπει να είναι ενεργοποιημένη.

- Επιλέξτε την επιθυμητή βαθμίδα ισχύος (1 έως 9).
- Ενεργοποιήστε το δεύτερο κύκλωμα πατώντας το πλήκτρο διπλού κυκλώματος (6).

Η ενδεικτική λυχνία (10) της επιλεγμένης ζώνης θα ανάψει. Το δεύτερο κύκλωμα ανάβει μαζί με το πρώτο.

ΑΠΕΝΕΡΓΟΠΟΙΗΣΗ ΤΟΥ ΔΕΥΤΕΡΟΥ ΚΥΚΛΩΜΑΤΟΣ ΖΩΝΗΣ ΜΑΓΕΙΡΕΜΑΤΟΣ ΔΙΠΛΟΥ ΚΥΚΛΩΜΑΤΟΣ (ΜΟΝΟ ΜΟΝΤΕΛΟ FRSM 603 C TD)

Η ζώνη διπλού κυκλώματος πρέπει να είναι ενεργοποιημένη.

Αγγίξτε το πλήκτρο διπλού κυκλώματος (6).

Η ενδεικτική λυχνία (10) σβήνει και το δεύτερο κύκλωμα απενεργοποιείται.

ΛΕΙΤΟΥΡΓΙΑ ΚΛΕΙΔΩΜΑΤΟΣ ΣΥΣΚΕΥΗΣ

Ολόκληρη η συσκευή μπορεί να κλειδωθεί για την αποτροπή του ακούσιου χειρισμού, με πάτημα του πλήκτρου κλειδώματος (9). Αυτό χρησιμεύει επίσης ως λειτουργία ασφάλειας παιδιών.

Εάν η λειτουργία κλειδώματος δεν απενεργοποιηθεί πριν απενεργοποιηθεί η συσκευή, θα είναι και πάλι ενεργή κατά την επόμενη ενεργοποίηση της συσκευής.

Για όσο χρόνο είναι ενεργοποιημένη η λειτουργία κλειδώματος, ο χειρισμός των πλήκτρων δεν θα έχει κανένα αποτέλεσμα.

ΑΥΤΟΜΑΤΗ ΒΑΛΒΙΔΑ ΑΣΦΑΛΕΙΑΣ ΑΠΕΝΕΡΓΟΠΟΙΗΜΕΝΗ

Εάν μία ή περισσότερες περιοχές μαγειρέματος παραμείνουν κατά λάθος ενεργοποιημένες, το χειριστήριο τις απενεργοποιεί αυτόματα ή μειώνει την ισχύ τους ύστερα από ένα ορισμένο χρονικό διάστημα.

Σε περίπτωση αυτόματης απενεργοποίησης ασφαλείας, στην οθόνη εμφανίζεται το σύμβολο **H** ή **Fc** που αναβοσβήνει.

Για να αποτρέψετε την αυτόματη απενεργοποίηση, απλώς αγγίξτε το πλήκτρο επιλογής ζώνης ή τα πλήκτρα **+** και **-** πριν λήξει το χρονικό όριο.

ΑΥΤΟΜΑΤΗ ΠΡΟΘΕΡΜΑΝΣΗ

Αυτή η λειτουργία απλουστεύει επίσης τη διαδικασία μαγειρέματος, αφού εξαλείφει την ανάγκη ανθρώπινης παρέμβασης.

Η ζώνη μαγειρέματος πρώτα προθερμαίνεται στη μέγιστη ισχύ για να ανέβει γρήγορα η ζώνη στη θερμοκρασία μαγειρέματος και στη συνέχεια η ισχύς μειώνεται αυτόματα στην προκαθορισμένη βαθμίδα (Πίν. 1).

ΒΑΘΜΙΔΑ ΙΣΧΥΟΣ	ΛΕΙΤΟΥΡΓΙΑ ΑΥΤΟΜΑΤΗΣ ΠΡΟΘΕΡΜΑΝΣΗΣ
1	1' 11"
2	2' 44"
3	4' 47"
4	5' 28"
5	6' 29"
6	1' 11"
7	2' 44"
8	2' 44"
9	-

ΕΝΕΡΓΟΠΟΙΗΣΗ ΤΗΣ ΛΕΙΤΟΥΡΓΙΑΣ ΑΥΤΟΜΑΤΗΣ ΠΡΟΘΕΡΜΑΝΣΗΣ

- Επιλέξτε τη ζώνη μαγειρέματος πατώντας το πλήκτρο (2).
- Επιλέξτε βαθμίδα ισχύος 9 με το πλήκτρο **-**. Στη συνέχεια επιλέξτε τη βαθμίδα 9 με υποδιαστολή, με το πλήκτρο **+**.
- Επιλέξτε την επιθυμητή βαθμίδα ισχύος, π.χ. 6, με το πλήκτρο **-**.
- Στη λειτουργία αυτόματης προθέρμανσης, η οθόνη της ζώνης μαγειρέματος εμφανίζει εναλλάξ τη ρυθμισμένη βαθμίδα (6) με υποδιαστολή (13).

ΑΛΛΑΓΗ ΤΗΣ ΡΥΘΜΙΣΗΣ ΒΑΘΜΙΔΑΣ ΙΣΧΥΟΣ ΚΑΤΑ ΤΗΝ ΑΥΤΟΜΑΤΗ ΠΡΟΘΕΡΜΑΝΣΗ

Η σχετική ζώνη μαγειρέματος πρέπει να είναι ενεργοποιημένη.

Η υποδιαστολή (13) στην αντίστοιχη οθόνη πρέπει να είναι αναμμένη.

Η τιμή θέρμανσης μπορεί να αυξηθεί μόνο με το πλήκτρο **+**.

Εάν η βαθμίδα αυξηθεί, ο νέος χρόνος προθέρμανσης θα υπολογιστεί αφού ληφθεί υπόψη ο χρόνος που έχει παρέλθει από την προηγούμενη ρύθμιση.

Παράδειγμα: Η βαθμίδα 1 είναι η πρώτη επιλεγμένη που αντιστοιχεί σε χρόνο προθέρμανσης 1' 11".

Ύστερα από 30", η βαθμίδα ισχύος αυξάνεται στο 4, πράγμα που απαιτεί χρόνο προθέρμανσης 5' 28".

Μετά την αλλαγή της βαθμίδας, η αυτόματη προθέρμανση θα διαρκέσει ακόμη για 4' 58" (5' 28" - 30 = 4' 58").

ΑΠΕΝΕΡΓΟΠΟΙΗΣΗ ΤΗΣ ΛΕΙΤΟΥΡΓΙΑΣ ΑΥΤΟΜΑΤΗΣ ΠΡΟΘΕΡΜΑΝΣΗΣ

Η σχετική ζώνη πρέπει να είναι ενεργοποιημένη.

Η υποδιαστολή (13) στην αντίστοιχη οθόνη πρέπει να είναι αναμμένη.

- Πατήστε το **-** (4) αφού πρώτα ενεργοποιηθεί η λειτουργία για τουλάχιστον 10 δευτερόλεπτα.

ΛΕΙΤΟΥΡΓΙΑ ΧΡΟΝΟΜΕΤΡΟΥ

Αυτή η αυτόματη λειτουργία εξαλείφει επίσης την ανάγκη ανθρώπινης παρέμβασης καθ' όλη τη διάρκεια του κύκλου μαγειρέματος.

Αφού παρέλθει ο χρόνος που έχει ρυθμιστεί στο χρονόμετρο, η περιοχή μαγειρέματος απενεργοποιείται αυτόματα.

ΕΝΕΡΓΟΠΟΙΗΣΗ ΤΗΣ ΛΕΙΤΟΥΡΓΙΑΣ ΧΡΟΝΟΜΕΤΡΟΥ

Η ζώνη που θα προγραμματιστεί πρέπει να είναι ενεργοποιημένη.

- Επιλέξτε μια βαθμίδα ισχύος μεταξύ 1 και 9.
- Πατήστε το πλήκτρο χρονόμετρου (7), η οθόνη του χρονόμετρου θα εμφανίσει 00.
- Επιλέξτε τον χρόνο μαγειρέματος (μεταξύ 0 και 99 λεπτών) με τα πλήκτρα **+** και **-** (5 και 4). Η λειτουργία χρονόμετρου θα ενεργοποιηθεί αυτόματα σε λίγα δευτερόλεπτα.

Η ενδεικτική λυχνία (11) που αντιστοιχεί στην προγραμματισμένη ζώνη ανάβει.

- Κρατήστε πατημένα τα πλήκτρα **+** ή **-** για να προσαρμόσετε γρήγορα τον χρόνο μαγειρέματος.

Η λειτουργία χρονόμετρου ισχύει για όλες τις ζώνες εστιών.

ΑΛΛΑΓΗ ΠΡΟΡΥΘΜΙΣΜΕΝΟΥ ΧΡΟΝΟΥ ΜΑΓΕΙΡΕΜΑΤΟΣ

Ο προγραμματισμένος χρόνος μαγειρέματος μπορεί να μεταβληθεί ανά πάσα στιγμή.

Η σχετική ζώνη πρέπει να είναι ενεργοποιημένη.

Η αντίστοιχη οθόνη αναβοσβήνει μαζί με το LED που αντιστοιχεί στο χρονόμετρο ζώνης (11).

- Πατήστε το πλήκτρο χρονόμετρου (7).
- Ρυθμίστε νέο χρόνο μαγειρέματος με τα πλήκτρα **+** και **-** (5 και 4).
- Κρατήστε πατημένα τα πλήκτρα **+** ή **-** για να προσαρμόσετε γρήγορα τον χρόνο μαγειρέματος

ΑΠΕΝΕΡΓΟΠΟΙΗΣΗ ΤΗΣ ΛΕΙΤΟΥΡΓΙΑΣ ΧΡΟΝΟΜΕΤΡΟΥ

Όταν παρέλθει ο ρυθμισμένος χρόνος μαγειρέματος, εκπέμπεται ηχητικό σήμα για 2 λεπτά. Για σίγαση του σήματος, απλά πατήστε οποιοδήποτε πλήκτρο.

Τώρα η ζώνη μαγειρέματος είναι απενεργοποιημένη.

Εάν θέλετε να διακόψετε το χρονόμετρο πριν παρέλθει η προγραμματισμένη χρονική περίοδος, η σχετική ζώνη πρέπει να είναι ενεργοποιημένη.

- Πατήστε το πλήκτρο χρονόμετρου (7).
- Μηδενίστε τον χρόνο πατώντας το **-** (4).

Το χρονόμετρο τώρα είναι απενεργοποιημένο, αλλά η ζώνη μαγειρέματος θα παραμείνει ενεργοποιημένη μέχρι να απενεργοποιηθεί χειροκίνητα.

ΓΡΗΓΟΡΗ ΑΠΕΝΕΡΓΟΠΟΙΗΣΗ

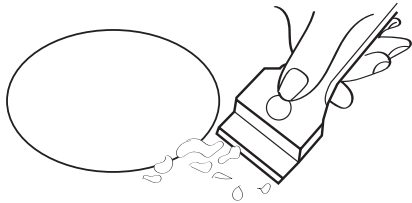
1. Η σχετική ζώνη πρέπει να είναι ενεργοποιημένη.
2. Πατήστε ταυτόχρονα τα πλήκτρα **+** και **-** (5 και 4). Η ζώνη μαγειρέματος απενεργοποιείται αμέσως. Θα απενεργοποιηθεί και το χρονόμετρο.

ΚΑΘΑΡΙΣΜΟΣ ΚΑΙ ΣΥΝΤΗΡΗΣΗ

Πρώτα από όλα αφαιρέστε με την ειδική ξύστρα τα μεμονωμένα κομμάτια φαγητού και τις σταγόνες λίπους από την επιφάνεια μαγειρέματος (Εικ. 4).

Στη συνέχεια, καθαρίστε με χαρτοπετσέτα με ειδικά προϊόντα για υαλοκεραμικές επιφάνειες μαγειρέματος, μετά ξεπλύνετε με νερό και στεγνώστε με ένα καθαρό πανί.

Κομμάτια αλουμινοχαρτου και πλαστικού υλικού που έχουν λιώσει κατά λάθος ή υπολείμματα ζάχαρης ή τροφίμων με υψηλή περιεκτικότητα σε σάκχαρα πρέπει να αφαιρούνται αμέσως από την καυτή επιφάνεια μαγειρέματος με την ειδική ξύστρα (Εικ. 4).



Εικ. 4

Αυτό γίνεται για την αποτροπή κάθε πιθανής ζημιάς στην άνω επιφάνεια.

Σε καμία περίπτωση δεν πρέπει να χρησιμοποιούνται λειαντικά σφουγγάρια ή ερεθιστικά χημικά απορρυπαντικά, όπως καθαριστικά λεκέδων.

ΜΗ ΧΡΗΣΙΜΟΠΟΙΕΙΤΕ ΑΤΜΟΚΑΘΑΡΙΣΤΕΣ.

ΤΕΧΝΙΚΑ ΔΕΔΟΜΕΝΑ

ΘΕΡΜΑΝΤΙΚΑ ΣΤΟΙΧΕΙΑ	ΟΝΟΜΑΣΤΙΚΗ ΙΣΧΥΣ
μονό επαγωγικό κύκλωμα Ø 210 (FRSM 604 C T)	2100 W
μονό επαγωγικό κύκλωμα Ø 140 (FRSM 603 C TD / 2 x FRSM 604 C T)	1200 W
μονό επαγωγικό κύκλωμα Ø 180 (FRSM 603 C TD)	1700 W
μονό επαγωγικό κύκλωμα Ø 180 (FRSM 604 C T)	1700 W
διπλό επαγωγικό κύκλωμα Ø 210/270 (FRSM 603 C TD)	1500/2400 W

ΥΠΟΣΤΗΡΙΞΗ

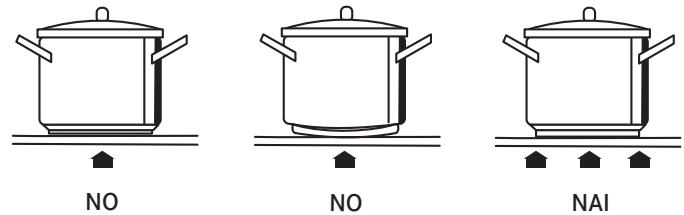
Σε περίπτωση προβλημάτων λειτουργίας, επικοινωνήστε με ένα Κέντρο Τεχνικής Εξυπηρέτησης της Franke.

Πότε μην αποδέχεστε τις υπηρεσίες μη εξουσιοδοτημένων τεχνικών.

Όταν επικοινωνείτε με το τμήμα τεχνικής εξυπηρέτησης πελατών, παρακαλούμε να παρέχετε τις ακόλουθες πληροφορίες:

- είδος σφάλματος
- μοντέλο συσκευής (Art.)
- σειριακό αριθμό (S.N.)

Όταν χρησιμοποιούνται θερμαντικά στοιχεία, συνιστούμε σκεύη με επίπεδο πυθμένα (Εικ. 5) που έχουν διάμετρο ίδια ή ελαφρώς υψηλότερη από εκείνη της καυτής περιοχής.



Εικ. 5

- Αποφεύγετε την υπερχειλίση υγρών, επομένως, όταν παρουσιαστεί βρασμός ή σε κάθε περίπτωση όταν θερμαίνεται υγρό, μειώστε την παροχή θερμότητας.
- Μην αφήνετε τα θερμαντικά στοιχεία αναμμένα χωρίς σκεύη στο επάνω μέρος ή με κενές κατσαρόλες και τηγάνια.

Εάν υπάρχει έστω και μια μικρή ρωγμή στην επιφάνεια μαγειρέματος, αποσυνδέστε αμέσως την παροχή ρεύματος για να αποτρέψετε την πιθανότητα ηλεκτροπληξίας.



WWW.FRANKE.COM

© Franke Technology and Trademark Ltd., Switzerland

OBSAH

BEZPEČNOSTNÍ INFORMACE	62
MONTÁŽ.....	63
ELEKTRICKÉ ZAPOJENÍ.....	64
PŘEHLED.....	65
DENNÍ POUŽITÍ	66
FUNKCE.....	66
ČIŠTĚNÍ A ÚDRŽBA.....	68
TECHNICKÉ ÚDAJE	68
PODPORA	68


Před prvním použitím produktu si přečtěte návod k obsluze.

Výrobce nemůže nést odpovědnost za případné škody, k nimž může dojít v důsledku nesprávné montáže a nesprávného, nevhodného nebo nepřiměřeného používání tohoto zařízení.

V zájmu zajištění bezpečného a efektivního provozu tohoto elektrického zařízení:

Kontaktujte pouze autorizovaná servisní střediska. Neupravujte žádné vlastnosti tohoto zařízení.


Tento spotřebič nesmějí používat osoby (včetně dětí) se sníženými fyzickými, smyslovými nebo duševními schopnostmi nebo s nedostatkem zkušeností a znalostí, pokud nejsou pod dohledem nebo pokud jim nebyly poskytnuty pokyny týkající se obsluhy spotřebiče.


 Tento spotřebič smějí používat děti ve věku od 8 let a osoby s omezenými fyzickými, smyslovými nebo duševními schopnostmi či s nedostatečnými zkušenostmi nebo znalostmi pouze za předpokladu, že jsou pod dohledem nebo byly poučeny o bezpečném používání spotřebiče a chápou související rizika.

Děti by si neměly se spotřebičem hrát.


Nedovolte dětem, aby bez dohledu prováděly čištění a běžnou údržbu spotřebiče.


Děti by měly být pod dozorem, aby se zabránilo tomu, že si budou se spotřebičem hrát.

 Spotřebič musí být vždy možné odpojit od napájení vytažením, je-li zástrčka přístupná, nebo vypnutím vícepólovým spínačem instalovaným před zásuvkou v souladu s instalačními předpisy a spotřebič musí být uzemněn v souladu s vnitrostátními elektrickými bezpečnostními normami.


 Nepoužívejte prodlužovací kabely, vícenásobné zásuvky nebo adaptéry. Elektrické součásti nesmí být po instalaci přístupné uživateli. Nepoužívejte spotřebič, máte-li mokré ruce nebo

nejste obuti. Tento spotřebič nepoužívejte, má-li poškozený napájecí kabel nebo zástrčku, nefunguje správně nebo byl poškozen nebo upuštěn na zem.


 Je-li napájecí kabel poškozený, musí jej výrobce, autorizovaný servis nebo kvalifikovaný servisní technik nahradit identickým typem, aby se předešlo riziku úrazu elektrickým proudem.


 **VÝSTRAHA:** Spotřebič a jeho přístupné části se během používání zahřívají. Dávejte pozor, abyste se nedotkli topných článků.


• Děti mladší 8 let by měly být udržovány z dosahu spotřebiče, nejsou-li pod stálým dohledem.


 **VÝSTRAHA:** Příprava pokrmů s tukem nebo olejem na varné desce bez dozoru může být nebezpečná a vést ke vzniku požáru.

• NIKDY se nepokoušejte uhasit oheň vodou, ale vypněte spotřebič a zakryjte plamen např. pokličkou nebo hasicí rouškou.

 **VÝSTRAHA:** Nebezpečí požáru: Neskladujte předměty na varném povrchu.


 Pokud je povrch prasklý, vypněte spotřebič, abyste předešli případnému úrazu elektrickým proudem.

 **VÝSTRAHA:** Před zahájením údržby zajistěte, aby byl spotřebič vypnutý a odpojený od napájení.

 **Nebezpečí úrazu elektrickým proudem!**

Nikdy nepoužívejte zařízení pro parní čištění.

Nepoužívejte abrazivní nebo korozivní produkty, čisticí prostředky na bázi chlóru nebo prostředky pro drhnutí pánví. Na povrch varné desky se nesmí pokládat kovové předměty, například nože, vidličky, lžice a poklice, protože by se mohly silně ohřát.

 **POZOR:** Spotřebič není určen k obsluze prostřednictvím externího spínacího zařízení, jako např. časovače, nebo samostatného systému dálkového ovládání.

- Nebezpečí požáru: Neskladujte předměty na varném povrchu.




POZOR: Na průběh vaření je potřeba dohlížet. Krátkodobé vaření vyžaduje nepřetržitý dozor.

LIKVIDACE DOMÁCÍCH SPOTŘEBIČŮ

Tento spotřebič se vyrábí s použitím recyklovatelných nebo znovu použitelných materiálů. Likvidujte jej v souladu s místními předpisy pro likvidaci odpadů. Pro další informace o manipulaci, regeneraci a recyklaci domácích elektrických spotřebičů se obraťte na místní obecní úřad, zařízení pro sběr domovního odpadu nebo obchod, ve kterém jste spotřebič zakoupili. Tento spotřebič je označen v souladu s evropskou směrnicí 2012/19/EU o odpadních elektrických a elektronických zařízeních (OEEZ).

Zajištěním řádné likvidace tohoto výrobku pomáháte zabránit škodlivým důsledkům pro životní prostředí a lidské zdraví.

Tento symbol  na produktu nebo v přiložené dokumentaci znamená, že se s ním nesmí zacházet jako s domovním odpadem, ale musí být dopraven do příslušného sběrného střediska pro recyklaci elektrického a elektronického zařízení.

LIKVIDACE OBALOVÉHO MATERIÁLU

Různé části balení je třeba odpovědně zlikvidovat, a to v souladu s místními předpisy pro likvidaci odpadu.

TIPY PRO ÚSPORU ENERGIE

Využijte maximálně zbytkové teplo varné desky jejím vypnutím několik minut před dokončením vaření.

Základna hrnce nebo pánve by měla zakrývat celou varnou desku.

Nádoba, která je menší než varná deska, způsobuje plýtvání energií.

Hrnce a pánve při vaření zakryjte těsnými poklicemi a používejte co nejmenší množství vody. Vaření s odkrytou poklicí velmi zvyšuje spotřebu energie.

MONTÁŽ

Všechny operace související s montáží (elektrické připojení) musí provádět školený personál v souladu s platnými předpisy.

Nedívejte se na halogenové světlo.

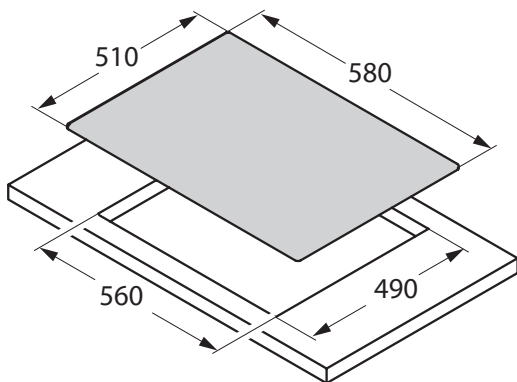
Tento návod je určen pro kvalifikované techniky jako pokyny k montáži, seřízení a údržbě v souladu s platnými předpisy a normami. Veškeré tyto operace musí být prováděny po odpojení spotřebiče od elektrické sítě.

Spotřebič není určen k použití s externím časovačem nebo samostatným systémem dálkového ovládání.

UMÍSTĚNÍ

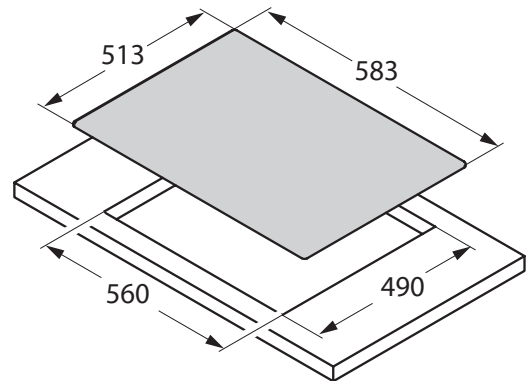
Spotřebič lze namontovat do pracovní oblasti podle provedení na obrázku (obr. 1a a obr. 1b). Použijte dodané těsnění pro celý obvod pracovní plochy.

FRSM 603 C TD BK / FRSM 604 C T BK

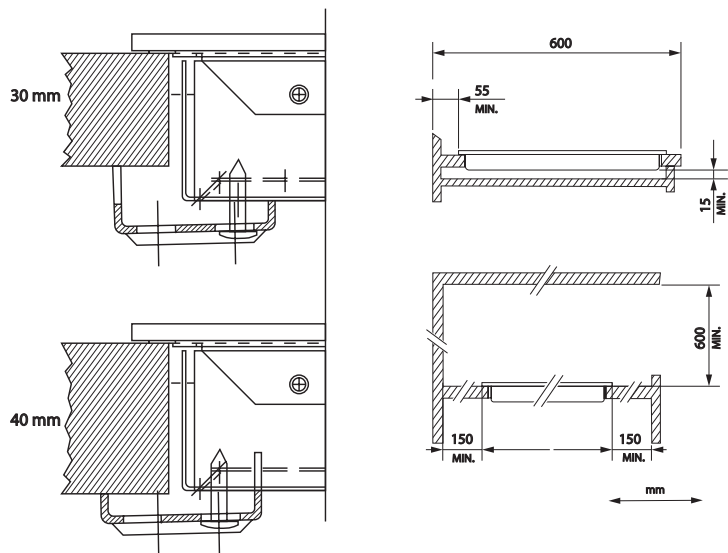


Obr. 1a

FRSM 604 C T XS



Obr. 1b



Obr. 2

ELEKTRICKÉ ZAPOJENÍ

Před provedením elektrického zapojení zajistěte následující:

- charakteristiky zařízení odpovídají údajům na výrobním štítku umístěném v dolní části pracovní plochy;
- zařízení je vybaveno účinným uzemněním podle platných norem a zákonných předpisů.

Uzemnění je povinné na základě předpisů. Nemá-li zařízení kabel a/nebo zástrčku, použijte rovněž vhodný absorpční materiál pro pracovní teplotu podle údajů na výrobním štítku. Za žádných okolností nesmí kabel dosáhnout teploty nad 50 °C prostředí.

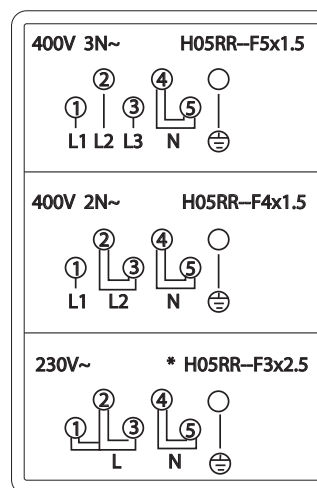
Při připojení přímo k elektrické síti použijte vícepólový spínač vhodné velikosti pro jmenovitou kapacitu se vzdáleností kontaktů, která kompletně odpojí napájecí vedení za podmínek přepětí kategorie III v souladu s montážními předpisy (žlutý/zelený zemnicí vodič nesmí být přerušen).

Zajistěte volný přístup k zástrčce nebo vícepólovému spínači na instalovaném zařízení.

Výrobci vylučují jakoukoli odpovědnost v případě nedodržení a nerespektování výše uvedených pokynů a norem pro předcházení úrazům.

POZNÁMKA: Ujistěte se, že parametry domácího elektrického systému (napětí, maximální výkon a hodnota proudu) jsou kompatibilní s parametry spotřebiče.

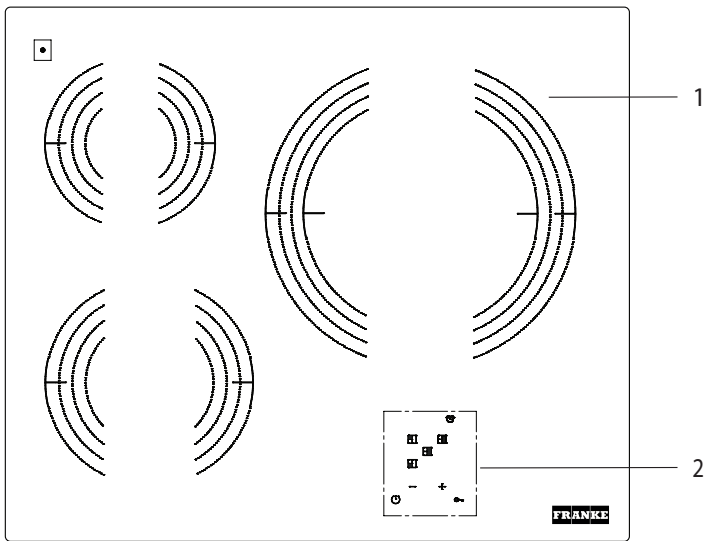
NAPÁJECÍ KABEL MUSÍ VYMĚNIT KVALIFIKOVANÝ TECHNIK.



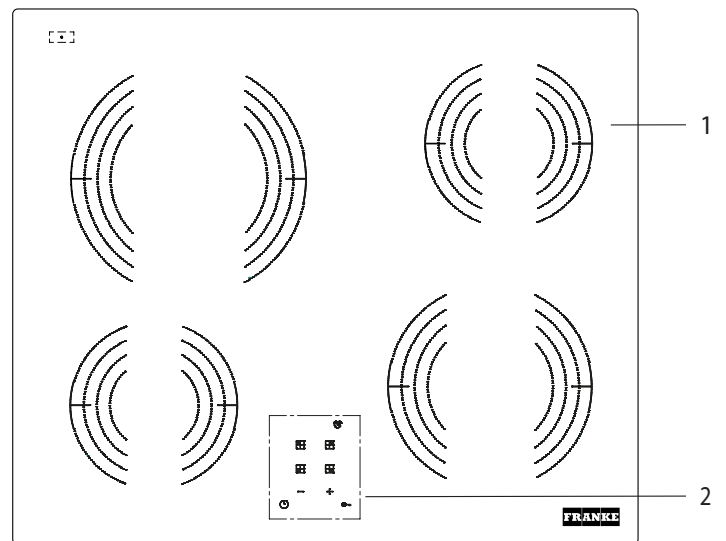
Obr. 3 Posouzení faktoru souběžnosti

PŘEHLED

FRSM 603 C TD



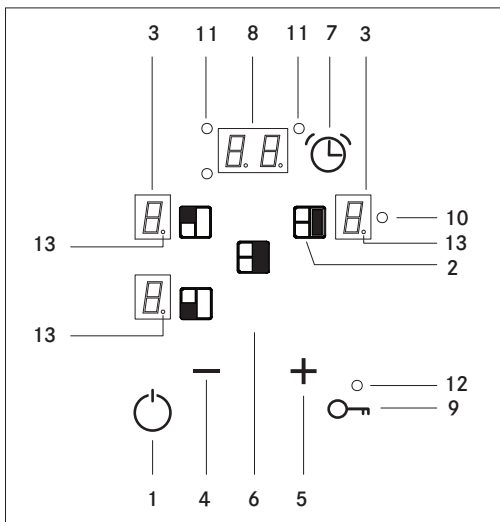
FRSM 604 C T



1. Varná deska
2. Ovládací panel

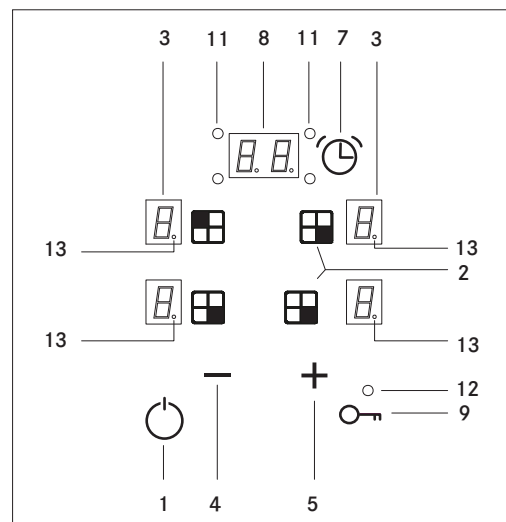
OVLÁDACÍ PANEĽ

FRSM 603 C TD



1. Napájení ZAP/napájení VYP
2. Varná zóna
3. Nastavení displeje
4. Minus
5. Plus
6. Dvojitý okruh pouze pro FRSM 603 C TD
7. Časovač

FRSM 604 C T



8. Displej časovače
9. Funkce zámku
10. Kontrolka dvojitého obvodu
11. Kontrolky časovače
12. Kontrolka zámku
13. Desetinná čárka

DOTYKOVÁ TLAČÍTKA

Všechny operace lze provádět pomocí dotykových tlačítek (optické snímače) umístěných na přední části ovládacího panelu; každé tlačítko má příslušný displej.


Každá činnost je potvrzena pípnutím.

DENNÍ POUŽITÍ

TOPNÉ ČLÁNKY DOTYKOVÉHO OVLÁDÁNÍ

DOTYKOVÉ OVLÁDÁNÍ	INTENZITA TEPLA
1	slabá
2-3	mírná
4	pomalá
5-6	střední
7-8	silná
9	jas

ZAPNUTÍ VARNÉ ZÓNY

- Stisknete dotykové tlačítko  na 2 sekundy. Řízení je zapnuté: ukazatele úrovně výkonu (3) mají hodnotu 0.
- Další operaci proveďte do 10 sekund, jinak se zařízení automaticky vypne.
 - Stisknete tlačítko (2) odpovídající varné zóně. Na příslušném displeji bliká 0 signalizující zapnutí zóny.
 - Pomocí tlačítek **+** a **-** (5/4) nastavte úroveň výkonu (1 až 9). Tlačítka **+** a **-** mají funkci opakování, tj. podržením těchto tlačítek zvýšíte nebo snížíte nastavení o jednu jednotku každé 0,3 sekundy.

FUNKCE

VARNÁ ZÓNA S DVOJITÝM OKRUHEM (POUZE MODEL FRSM 603 C TD)

Varná zóna může být vybavena dvojitým okruhem, např. středovým kotoučem a vnějším prstencem.

Můžete používat buď středovou zónu samotnou, nebo obě zóny současně, a přizpůsobit tak varnou zónu velikosti nádoby.

ZAPNUTÍ VARNÉ ZÓNY S DVOJITÝM OKRUHEM (POUZE MODEL FRSM 603 C TD)

Příslušná zóna musí být zapnutá.

- Zvolte požadovanou úroveň výkonu (1 až 9).
- Druhý okruh zapnete stisknutím tlačítka dvojitého okruhu (6).

Rozsvítí se kontrolka (10) zvolené zóny, druhý okruh se zapne současně s prvním.

VYPNUTÍ DRUHÉHO OKRUHU VARNÉ ZÓNY S DVOJITÝM OKRUHEM (POUZE MODEL FRSM 603 C TD)

Zóna dvojitého obvodu musí být zapnutá.

Stisknete tlačítko dvojitého okruhu (6).

Kontrolka (10) zhasne a druhý okruh se vypne.

POZNÁMKA: Při prvním připojení varné desky k napájení je aktivována funkce zámku tlačítek.

Stisknutím tlačítka (9) ji deaktivujete a začnete používat výrobek.

V daném okamžiku lze zapnout vždy jen jednu varnou zónu, tj. bliká vždy pouze jedna varná zóna.

VYPNUTÍ VARNÉ ZÓNY

Varná zóna musí být zapnutá.

Snižte úroveň výkonu na 0 stisknutím (4).

Varná zóna se po 10 sekundách automaticky vypne.

RYCHLÉ VYPNUTÍ

Varná zóna musí být zapnutá.

Stisknete současně tlačítka **+** a **-** (5/4) a zóna se automaticky vypne.

UKAZATELE ZBYTKOVÉHO TEPLA

Dokud je varná zóna natolik horká, že by způsobila popáleniny, je na příslušném displeji zobrazen symbol **H** (zbytkové teplo).

Symbol zmizí pouze v případě, že teplota poklesne pod 60 °C a riziko popálení již nehrozí.

Je-li teplota nižší než 60 °C, je na displeji hodnota 0, a na písmeno **H** se přepne, pokud teplota stoupne nad 60 °C.

- Vypněte varnou zónu před dokončením vaření, abyste využili zbytkové teplo a ušetřili energii.

Ukazatel zbytkového tepla **H** zmizí při přerušení napájení.

Spotřebič lze kdykoli vypnout stisknutím tlačítka napájení (1).

FUNKCE UZAMČENÍ SPOTŘEBIČE

Celý spotřebič lze uzamknout, aby nemohlo dojít k nežádoucímu spuštění stisknutím tlačítka zámku (9). Funkce rovněž slouží jako bezpečnostní dětský zámek.

Není-li funkce zámku deaktivována před vypnutím spotřebiče, bude při příštím zapnutí spotřebiče stále aktivní.

Při aktivaci funkce zámku nemají tlačítka žádnou účinnost.

AUTOMATICKÉ BEZPEČNOSTNÍ VYPNUTÍ

Jsou-li jedna nebo více varných zón neúmyslně ponechány zapnuté, řízení je po uplynutí určitého času automaticky vypne nebo sníží jejich výkon.

V případě automatického bezpečnostního vypnutí se na displeji zobrazí symbol **H** nebo blikající **Fc**.

Aby nedošlo k automatickému vypnutí, jednoduše se před uplynutím časového limitu dotkněte tlačítka pro výběr zóny nebo tlačítek **+** a **-**.

AUTOMATICKÉ PŘEDEHŘÍVÁNÍ

Tato funkce zjednodušuje průběh vaření, protože nepotřebuje lidský zásah.

Varná zóna je nejprve předehřáta na maximální výkon, aby byla zóna rychle přivedena na varnou teplotu, a potom je výkon automaticky snížen na přednastavenou úroveň (tab. 1).

STUPEŇ VÝKONU	FUNKCE AUTOMATICKÉHO PŘEDEHŘÍVÁNÍ
1	1' 11"
2	2' 44"
3	4' 47"
4	5' 28"
5	6' 29"
6	1' 11"
7	2' 44"
8	2' 44"
9	-

AKTIVACE FUNKCE AUTOMATICKÉHO PŘEDEHŘÍVÁNÍ

- Zvolte varnou zónu stisknutím tlačítka (2).
- Zvolte úroveň výkonu 9 pomocí tlačítka **—**. Potom zvolte úroveň 9 s desetinnou čárkou pomocí tlačítka **+**.
- Zvolte požadovanou úroveň výkonu, např. 6, pomocí tlačítka **—**.
- V režimu automatického předehřívání displej varné zóny střídavě zobrazuje nastavenou úroveň (6) s desetinnou čárkou (13).

ZMĚNA NASTAVENÍ ÚROVNĚ VÝKONU BĚHEM AUTOMATICKÉHO PŘEDEHŘÍVÁNÍ

Příslušná varná zóna musí být zapnutá.

Desetinná čárka (13) na příslušném displeji musí být rozsvícená.

Hodnotu ohřevu lze zvýšit pouze tlačítkem **+**.

Při zvýšení úrovně se vypočítá nový čas předehřívání s ohledem na čas uplynulý od předchozího nastavení.

Příklad: Úroveň 1 je první zvolená, což odpovídá času předehřívání 1' 11".

Za 30" se úroveň výkonu zvýší na 4, což vyžaduje čas předehřívání 5' 28".

Po změně úrovně bude automatické předehřívání pokračovat dalších 4'58" (5' 28" - 30 = 4'58").

DEAKTIVACE FUNKCE AUTOMATICKÉHO PŘEDEHŘÍVÁNÍ

Příslušná zóna musí být zapnutá.

Desetinná čárka (13) na příslušném displeji musí svítit.

- Poté, co byla funkce aktivní alespoň po dobu 10 sekund, stiskněte **—** (4).

FUNKCE ČASOVAČE

Automatická funkce rovněž vylučuje nutnost lidského zásahu během celé doby vaření.

Po uplynutí nastaveného časového intervalu se varná plocha automaticky vypne.

AKTIVACE FUNKCE ČASOVAČE

Programovaná zóna musí být zapnutá.

- Zvolte úroveň od 1 do 9.
- Stiskněte tlačítko časovače (7) a na displeji časovače se zobrazí 00.
- Zvolte dobu vaření (od 0 do 99 minut) pomocí tlačítek **+** a **—** (5 a 4). Funkce časovače se automaticky aktivuje za několik sekund.

Rozsvítí se kontrolka (11) příslušné programované zóny.

- Podržte stisknutá tlačítka **+** nebo **—** pro rychlé nastavení doby vaření.

Funkce časovače platí pro všechny varné zóny.

ZMĚNA DŘÍVE NASTAVENÉHO ČASU VAŘENÍ

Programovaný čas vaření lze kdykoli změnit.

Příslušná zóna musí být zapnutá.

Příslušný displej bliká společně s kontrolkou odpovídající časovači zóny (11).

- Stiskněte tlačítko časovače (7).
- Nastavte novou dobu vaření pomocí tlačítek **+** a **—** (5 a 4).
- Podržte stisknutá tlačítka **+** nebo **—** pro rychlé nastavení doby vaření.

VYPNUTÍ FUNKCE ČASOVAČE

Po uplynutí nastaveného času zní po dobu dvou minut akustický signál. Pro jeho přerušování stiskněte jakékoli tlačítko.

Varná zóna je nyní vypnutá.

Chcete-li přerušit časovač před uplynutím naprogramované doby, musí být příslušná zóna zapnutá.

- Stiskněte tlačítko časovače (7).
- Čas vynulujete stisknutím **—** (4).

Časovač je nyní deaktivovaný, ale varná zóna zůstává zapnutá až do ručního vypnutí.

RYCHLÉ VYPNUTÍ

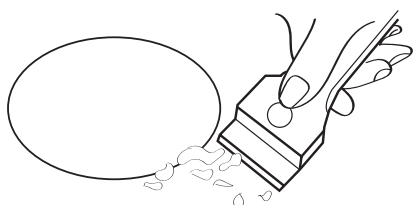
1. Příslušná zóna musí být zapnutá.
2. Stiskněte současně tlačítka **+** a **—** (5 a 4); varná zóna se okamžitě vypne. Časovač bude rovněž deaktivován.

ČIŠTĚNÍ A ÚDRŽBA

Nejprve speciální škrabkou (obr. 4) odstraňte z varné plochy připečené zbytky pokrmů a kapky tuku.

Potom vyčistěte speciálními přípravky pro sklokeramické varné plochy papírovým ubrouskem, opláchněte vodou a osušte čistým hadrem.

Kousky hliníkové fólie a plastových materiálů, které se nedopatřením roztavily, či zbytky cukru nebo pokrmů s vysokým obsahem cukru je třeba z horké varné plochy odstranit okamžitě speciální škrabkou (obr. 4).



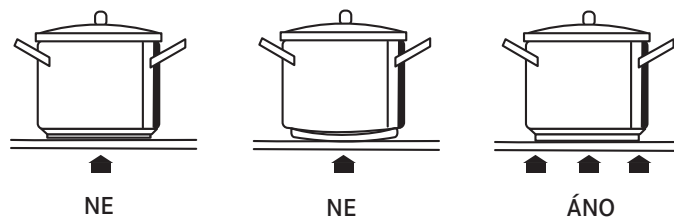
Obr. 4

Zabráníte tak možnému poškození plochy horní části.

Za žádných okolností nepoužívejte pro odstraňování skvrn abrazivní houbičky nebo narušující chemické čisticí prostředky.

NEPOUŽÍVEJTE PARNÍ ČISTIČE.

Používáte-li topné články, doporučujeme nádoby s plochým dnem (obr. 5), které mají stejný nebo mírně větší průměr než varná plocha.



Obr. 5

- Zabraňte přetečení tekutiny, proto při dosažení varu nebo v každém případě při zahřátí tekutiny snižte přívod tepla.
- Nenechávejte topné články na horní části zapnuté bez nádob nebo s prázdnými hrnci a pánvemi.

Objeví-li se i jen nepatrná prasklina varné plochy, okamžitě vypněte napájení, aby nedošlo k úrazu elektrickým proudem.

TECHNICKÉ ÚDAJE

TOPNÉ ČLÁNKY	JMENOVITÝ VÝKON
jednoduchý okruh sálavý Ø 210 (FRSM 604 C T)	2 100 W
jednoduchý okruh sálavý Ø 140 (FRSM 603 C TD / 2 x FRSM 604 C T)	1 200 W
jednoduchý okruh sálavý Ø 180 (FRSM 603 C TD)	1 700 W
jednoduchý okruh sálavý Ø 180 (FRSM 604 C T)	1 700 W
dvojitý okruh sálavý Ø 210/270 (FRSM 603 C TD)	1 500/2 400 W

PODPORA

V případě jakýchkoli provozních problémů se obraťte na servisní středisko společnosti Franke.

Nikdy nevyužívejte služby neautorizovaných techniků.

Při kontaktování zákaznického servisu uveďte následující informace:

- typ závady
- model spotřebiče (Art.)
- sériové číslo (S.N.)

Tyto informace jsou uvedeny na typovém štítku. Typový štítek je upevněn na spodní straně.

Pokud se na spotřebič vztahuje stále záruční doba, musíte také předložit nákupní doklad.



WWW.FRANKE.COM

© Franke Technology and Trademark Ltd., Switzerland

SPIS TREŚCI

UWAGI DOTYCZĄCE BEZPIECZEŃSTWA.....	70
MONTAŻ.....	71
PODŁĄCZENIE DO SIECI ELEKTRYCZNEJ.....	72
PRZEGLĄD.....	73
CODZIENNE UŻYTKOWANIE.....	74
FUNKCJE.....	74
CZYSZCZENIE I KONSERWACJA.....	76
DANE TECHNICZNE.....	76
WSPARCIE TECHNICZNE.....	76

Przed pierwszym użyciem produktu należy zapoznać się z instrukcją obsługi.


Producent nie ponosi odpowiedzialności za ewentualne uszkodzenia wynikające z nieprawidłowego montażu lub niewłaściwego i niezgodnego z przeznaczeniem użytkowania urządzenia.

W celu zapewnienia bezpiecznej i sprawnej pracy urządzenia elektrycznego:

Kontaktować się wyłącznie z autoryzowanymi serwisami.


Nie modyfikować w żaden sposób urządzenia.

Urządzenie nie może być używane przez osoby (w tym dzieci) o ograniczonych zdolnościach fizycznych, sensorycznych lub umysłowych, lub osoby nie posiadające doświadczenia i wiedzy, o ile nie są one nadzorowane lub nie udzielono im instruktażu.


 Urządzenie może być używane przez dzieci w wieku od 8 lat oraz osoby o ograniczonych zdolnościach ruchowych, postrzegania lub umysłowych, a także osoby nieposiadające odpowiedniej wiedzy i doświadczenia, o ile osoba odpowiedzialna za ich bezpieczeństwo udzieliła im odpowiedniego instruktażu z zakresu bezpiecznej obsługi urządzenia i rozumieją związane z tym zagrożenia.


Urządzenie nie może być używane do zabawy przez dzieci.


Czyszczenie i konserwacja nie może być wykonywana przez dziecko bez nadzoru opiekuna. Należy zwracać uwagę na dzieci, aby nie bawiły się urządzeniem.

 Należy zapewnić możliwość odłączenia urządzenia od zasilania poprzez wyjęcie wtyczki, jeżeli jest ona dostępna, lub poprzez wielobiegunowy wyłącznik zainstalowany przed gniazdem zgodnie z zasadami okablowania.


Urządzenie należy uziemić zgodnie z krajowymi normami bezpieczeństwa elektrycznego.

 Nie należy używać przedłużaczy, gniazdek wielokrotnych ani adapterów. Po zakończeniu montażu podzespoły elektryczne nie mogą być dostępne dla użytkownika. Użytkownik nie powinien używać urządzenia, jeśli jest mokry lub na boso. Nie należy używać tego urządzenia, jeśli ma ono uszkodzony kabel zasilający lub wtyczkę, jeśli nie działa ono prawidłowo, jeśli zostało uszkodzone lub upuszczone.


 Jeśli przewód zasilający jest uszkodzony, musi zostać wymieniony na identyczny przez producenta, jego przedstawiciela serwisowego lub osoby o podobnych kwalifikacjach, aby uniknąć zagrożenia – ryzyka porażenia prądem.


 **OSTRZEŻENIE:** Urządzenie i jego dostępne części nagrzewają się podczas użytkowania. Należy uważać, aby nie dotykać elementów grzejnych.


- Dzieci poniżej 8 roku życia powinny być trzymane z dala, o ile nie znajdują się pod stałym nadzorem.


 **OSTRZEŻENIE:** Pozostawianie bez nadzoru żywności gotowanej na płycie przy użyciu tłuszczu lub oleju jest niebezpieczne i może prowadzić do pożaru.

- NIGDY nie próbować gasić ognia wodą, lecz wyłączyć urządzenie, a następnie przykryć płomień np. pokrywką lub kocem gaśniczym.

 **OSTRZEŻENIE:** Niebezpieczeństwo pożaru: nie należy przechowywać przedmiotów na powierzchniach do gotowania.


 W przypadku pęknięcia powierzchni należy wyłączyć urządzenie, aby zapobiec niebezpieczeństwu porażenia prądem.

 **OSTRZEŻENIE:** Przed wykonaniem jakichkolwiek czynności konserwacyjnych należy upewnić się, że urządzenie jest wyłączone i odłączone od zasilania.


 Ryzyko porażenia prądem!

Nigdy nie używać urządzeń do czyszczenia parą.

Nie używać produktów ściernych lub żrących, środków czyszczących na bazie chloru ani zmywaków do patelni. Metalowe przedmioty, takie jak noże, widelce, łyżki i pokrywki nie powinny być umieszczane na powierzchni płyty kuchennej, ponieważ mogą się nagrzewać.

 **UWAGA:** urządzenie nie jest przeznaczone do obsługi za pomocą zewnętrznego urządzenia przełączającego, takiego jak wyłącznik czasowy lub oddzielny system zdalnego sterowania.

- Niebezpieczeństwo pożaru: Nie należy przechowywać przedmiotów na powierzchniach do gotowania.

 **UWAGA:** Proces gotowania powinien odbywać się pod nadzorem. Krótkotrwały proces gotowania powinien być nadzorowany przez cały czas.

MONTAŻ

Wszystkie czynności związane z montażem (podłączenie elektryczne) powinny być wykonywane przez wykwalifikowany personel zgodnie z obowiązującymi przepisami.

Nie należy wpatrywać się w lampę halogenową.


Niniejsza instrukcja jest przeznaczona dla wykwalifikowanego technika, jako przewodnik do montażu, regulacji i konserwacji, zgodnie z obowiązującymi przepisami i normami. Każdą z tych czynności należy wykonywać zawsze po odłączeniu urządzenia od instalacji elektrycznej.

Urządzenie nie jest przeznaczone do użytku z zewnętrznym wyłącznikiem czasowym lub oddzielnym systemem zdalnego sterowania.

UTYLIZACJA URZĄDZEŃ GOSPODARSTWA DOMOWEGO

To urządzenie zostało wyprodukowane z materiałów nadających się do recyklingu lub ponownego wykorzystania. Utylizować zgodnie z lokalnymi przepisami dotyczącymi utylizacji odpadów. W celu uzyskania dalszych informacji na temat przetwarzania, odzysku i recyklingu domowych urządzeń elektrycznych należy skontaktować się z lokalnymi władzami, przedsiębiorstwem zajmującym się zbiorczą odpadów domowych lub sklepem, w którym zakupiono urządzenie. Niniejsze urządzenie jest oznaczone zgodnie z Dyrektywą Europejską 2012/19/UE, Zużyty sprzęt elektryczny i elektroniczny (WEEE).

Zapewniając prawidłową utylizację tego produktu, pomożesz zapobiec negatywnym skutkom dla środowiska i zdrowia ludzi.

Symbol  na produkcie lub na dołączonej dokumentacji oznacza, że urządzenia tego nie należy traktować jako odpadu domowego, lecz należy je oddać do odpowiedniego punktu zbiórki w celu recyklingu sprzętu elektrycznego i elektronicznego.

UTYLIZACJA OPAKOWAŃ

Poszczególne części opakowania należy utylizować w sposób odpowiedzialny i w pełni zgodny z przepisami władz lokalnych w zakresie utylizacji odpadów.

WSKAZÓWKI DOTYCZĄCE OSZCZĘDZANIA ENERGII

Wykorzystaj w pełni ciepło resztkowe pola grzejnego, wyłączając je na kilka minut przed zakończeniem gotowania.

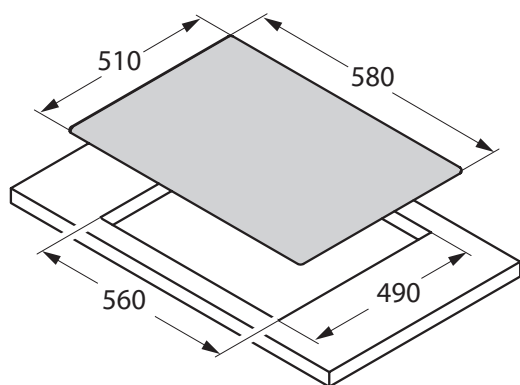
Dno garnka lub patelni powinno całkowicie przykrywać pole grzejne;

Pojemnik, który jest mniejszy niż pole grzejne spowoduje marnowanie energii.

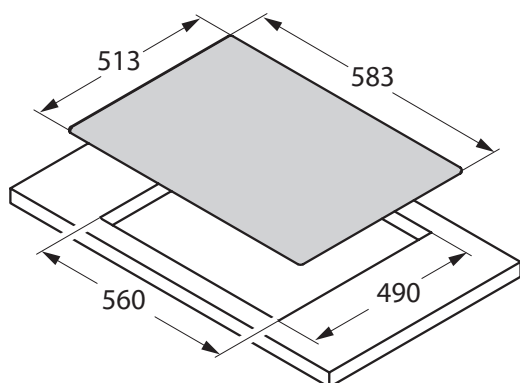
Podczas gotowania przykrywaj garnki i patelnie szczelnymi pokrywkami i należy używać jak najmniejszej ilości wody. Gotowanie ze zdjętą pokrywą znacznie zwiększa zużycie energii.

USTAWIANIE

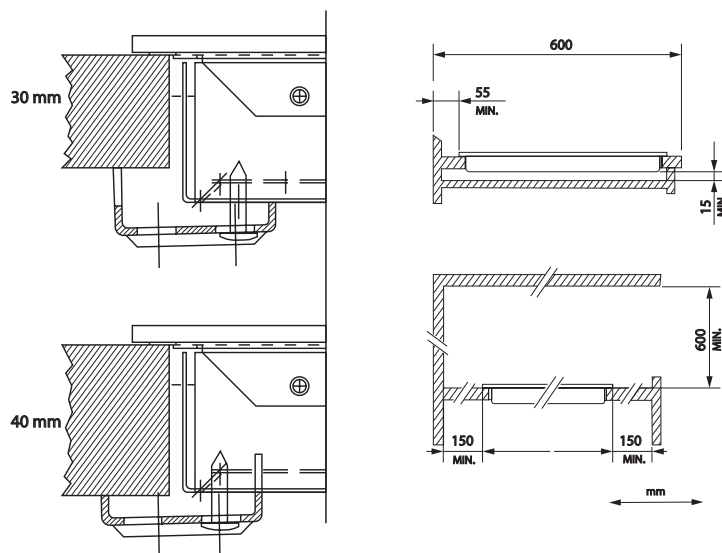
Urządzenie może być zamontowane w obszarze roboczym, jak pokazano na rysunku (rys. 1a i rys. 1b). Nałożyć dostarczoną uszczelkę na całym obwodzie obszaru roboczego.



Rys. 1a



Rys. 1b



Rys. 2

PODŁĄCZENIE DO SIECI ELEKTRYCZNEJ

Przed wykonaniem podłączenia do sieci elektrycznej należy upewnić się, że:

- charakterystyka instalacji powinna być zgodna ze wskazaniami umieszczonymi na tabliczce znamionowej znajdującej się w dolnej części płyty kuchennej;
- instalacja jest wyposażona w sprawne uziemienie, zgodnie z obowiązującymi normami i przepisami prawa.

Przyłącze uziemienia jest obowiązkowe zgodnie z przepisami prawa. Jeżeli na płycie kuchennej nie ma kabla i/lub wtyczki, należy użyć odpowiedniego materiału absorpcyjnego również dla temperatury roboczej, zgodnie z danymi na tabliczce znamionowej. W żadnym wypadku kabel nie może osiągnąć temperatury wyższej niż 50°C od temperatury otoczenia.

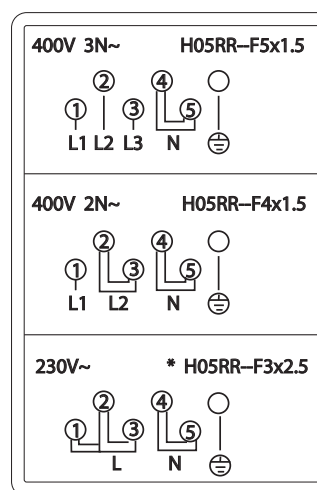
W przypadku bezpośredniego podłączenia do sieci zasilającej należy zamontować wyłącznik wielobiegunowy o odpowiedniej wielkości dla mocy znamionowej z odstępem, który całkowicie odłącza linię zasilającą w warunkach przepięcia kategorii III, zgodnie z zasadami instalacji (nie wolno przerywać żółto-zielonego przewodu uziemiającego).

Wtyczka lub przełącznik omnipolarny muszą być łatwo dostępne na zamontowanym urządzeniu.

Producenci zrzekają się wszelkiej odpowiedzialności w przypadku nieprzestrzegania powyższych zasad oraz nieprzestrzegania norm zapobiegania wypadkom.

UWAGA: Upewnić się, że specyfikacja domowej sieci elektrycznej (napięcie, maksymalna moc i natężenie prądu) jest zgodna ze specyfikacją urządzenia.

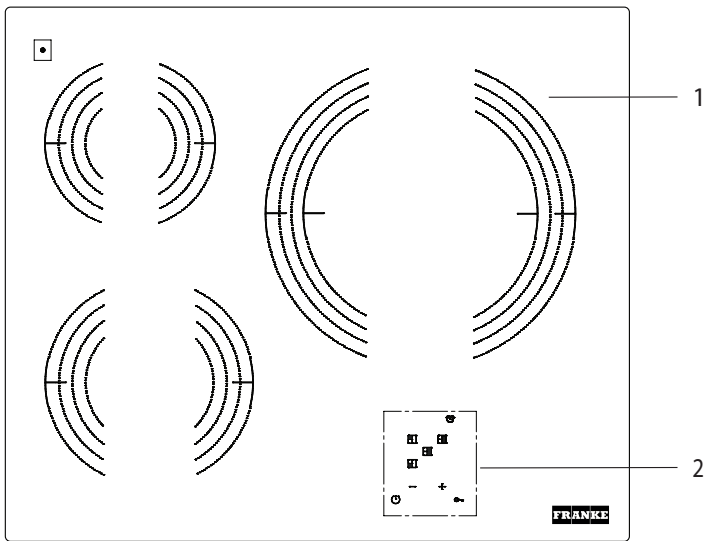
KABEL ZASILAJĄCY POWINIEN BYĆ WYMIENIANY WYŁĄCZNIE PRZEZ WYKWALIFIKOWANEGO ELEKTRYKA.



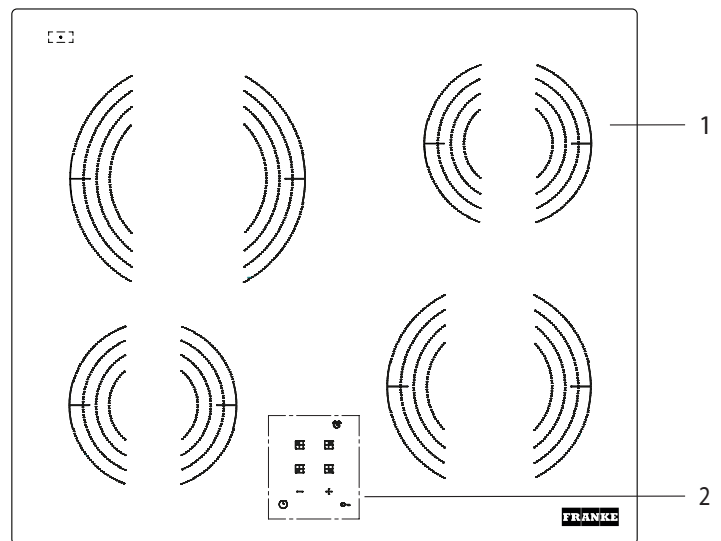
Rys. 3 Uwzględnienie czynnika jednoczesności

PRZEGLĄD

FRSM 603 C TD



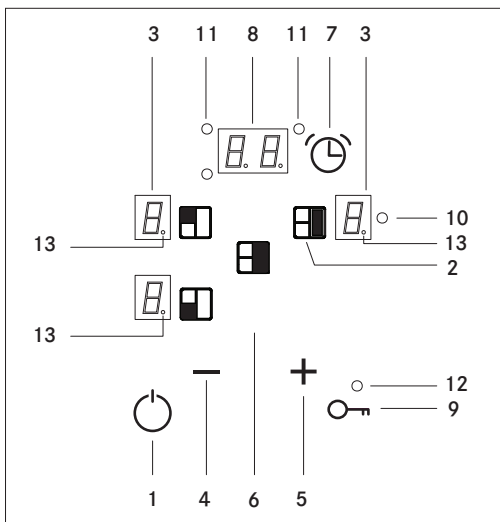
FRSM 604 C T



1. Płyta kuchenna
2. Panel sterowania

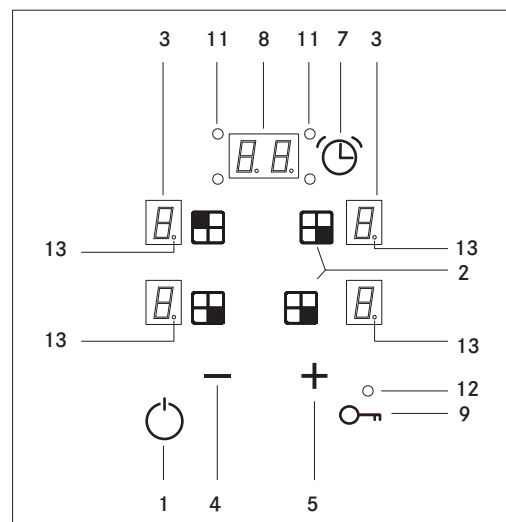
PANEL STEROWANIA

FRSM 603 C TD



1. Przycisk włączania zasilania/wyłączania zasilania
2. Pole grzejne
3. Wyświetlacz ustawień
4. Minus
5. Plus
6. Obwód podwójny wyłącznie dla FRSM 603 C TD
7. Minutnik

FRSM 604 C T



8. Wyświetlacz minutnika
9. Funkcja blokady
10. Dwuobwodowa lampka kontrolna
11. Lampki kontrolne minutnika
12. Lampka kontrolna blokady
13. Punkt dziesiętny

PRZYCISKI DOTYKOWE

Wszystkie czynności można wykonywać za pomocą przycisków dotykowych (czujników optycznych) umieszczonych z przodu panelu sterowania; każdy przycisk ma odpowiadający mu wyświetlacz.

Każda czynność jest potwierdzana sygnałem dźwiękowym.

UWAGA: po pierwszym podłączeniu płyty do zasilania zostanie włączona funkcja blokady przycisków.



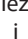

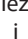
Nacisnąć przycisk (9), aby ją dezaktywować i rozpocząć korzystanie z produktu.

CODZIENNE UŻYTKOWANIE

GRZAŁKI STEROWANE DOTYKOWO

STEROWANIE DOTYKOWE	INTENSYWNOŚĆ CIEPŁA
1	słaba
2-3	delikatna
4	powolna
5-6	średnia
7-8	silna
9	jasna

WŁĄCZANIE POLA GRZEJNEGO



- Przytrzymać przycisk dotykowy  przez 2 sekundy. Sterownik jest włączony: wskaźniki poziomu mocy (3) pokazują 0.
- Wykonać następną operację w ciągu 10 sekund, w przeciwnym razie urządzenie wyłączy się automatycznie.
 - Nacisnąć przycisk (2) odpowiadający polu grzejnemu. Na wyświetlaczu pojawi się migające 0, oznaczające, że pole grzejne jest włączone.
 - Należy ustawić poziom mocy (od 1 do 9) za pomocą przycisków  i  (5/4). Przyciski  i  mają funkcję powtarzania, tzn. przytrzymanie tych przycisków powoduje zwiększenie lub zmniejszenie nastawy o jedną jednostkę co 0,3 sekundy.

W tym samym czasie może być włączone tylko jedno pole grzejne, a więc w danym momencie miga tylko jedno pole grzejne.

WYŁĄCZANIE POLA GRZEJNEGO

Pole grzejne musi być włączone.
Zmniejszyć poziom mocy do 0, naciskając przycisk (4).
Po 10 sekundach pole grzejne wyłączy się automatycznie.

SZYBKIE WYŁĄCZENIE

Pole grzejne musi być włączone.
Nacisnąć jednocześnie przyciski  i  (5/4), a pole zostanie natychmiast wyłączone.

WSKAŹNIKI CIEPŁA RESZTKOWEGO

Jeśli pole grzejne będzie jeszcze wystarczająco gorące, aby spowodować poparzenia, na odpowiednim wyświetlaczu pojawi się symbol **H** (ciepło resztkowe).

Symbol ten zniknie dopiero wtedy, gdy temperatura spadnie poniżej 60°C i nie będzie już ryzyka poparzenia.

Wyświetlacz będzie pokazywać 0 tak długo, jak długo temperatura będzie pozostawać poniżej 60° C, a przełączy się na **H** dopiero, gdy temperatura wzrośnie powyżej 60° C.

- Wyłączyć pole grzejne przed zakończeniem gotowania, aby wykorzystać ciepło resztkowe do zaoszczędzenia energii.

Wskaźnik ciepła resztkowego **H** zgaśnie, jeśli nastąpi przerwa w zasilaniu.

Urządzenie można wyłączyć w dowolnym momencie, naciskając przycisk zasilania (1).

FUNKCJE

POLE GRZEJNE DWUOBWODOWE (TYLKO MODEL FRSM 603 C TD)

Pole grzejne może być wyposażone w podwójny obwód, np. tarczę środkową i pierścień obwodowy.

Można używać tylko pola środkowego lub obu pól łącznie i w ten sposób dostosować powierzchnię gotowania do wielkości garnka.

WŁĄCZANIE POLA GRZEJNEGO DWUOBWODOWEGO (TYLKO MODEL FRSM 603 C TD)

- Odpowiednie pole grzejne musi być włączone.
- Wybrać żądany poziom mocy (od 1 do 9).
 - Włączyć drugi obwód, naciskając przycisk podwójnego obwodu (6).
- Lampka kontrolna (10) wybranego pola zaświeci się. Drugi obwód zostanie włączony razem z pierwszym.

WYŁĄCZANIE DRUGIEGO OBWODU W POLU GRZEJNYM DWUOBWODOWYM (TYLKO MODEL FRSM 603 C TD)

Pole dwuobwodowe musi być włączone.
Dotknąć przycisku obwodu podwójnego (6).
Lampka kontrolna (10) zgaśnie, a drugi obwód zostanie wyłączony.

FUNKCJA BLOKADY URZĄDZENIA

Całe urządzenie można zablokować, aby zapobiec jego przypadkowemu uruchomieniu, naciskając przycisk blokady (9). Pełni to również funkcję zabezpieczenia przed dziećmi.

Jeżeli funkcja blokady nie zostanie wyłączona przed wyłączeniem urządzenia, będzie ona nadal aktywna po następnym włączeniu urządzenia.

Gdy funkcja blokady jest włączona, korzystanie z przycisków nie przynosi żadnych rezultatów.

AUTOMATYCZNE WYŁĄCZANIE BEZPIECZEŃSTWA

Jeśli jedno lub więcej pól grzejnych zostanie przypadkowo pozostawionych włączonych, sterowanie automatycznie wyłącza je lub zmniejsza ich moc po upływie określonego czasu.

W przypadku automatycznego wyłączenia bezpieczeństwa na wyświetlaczu pojawia się migający symbol **H** lub **Fc**.

Aby zapobiec automatycznemu wyłączeniu, wystarczy dotknąć przycisku wyboru pola lub przycisków **+** i **-** przed upływem limitu czasu.

AUTOMATYCZNE PODGRZEWANIE WSTĘPNE

Funkcja ta upraszcza proces gotowania, ponieważ eliminuje konieczność interwencji człowieka.

Pole grzejne jest najpierw podgrzewane z maksymalną mocą, aby szybko doprowadzić pole grzejne do temperatury gotowania, po czym moc jest automatycznie zmniejszana do ustawionego poziomu (Tab. 1).

POZIOM MOCY	FUNKCJA AUTOMATYCZNEGO PODGRZEWANIA WSTĘPNEGO
1	1' 11"
2	2' 44"
3	4' 47"
4	5' 28"
5	6' 29"
6	1' 11"
7	2' 44"
8	2' 44"
9	-

WYŁĄCZANIE FUNKCJI AUTOMATYCZNEGO PODGRZEWANIA

- Wybrać pole grzejne, naciskając przycisk (2).
- Wybrać poziom mocy 9 za pomocą przycisku **-**. Następnie należy wybrać poziom 9 z kropką dziesiętną, używając przycisku **+**.
- Wybrać żądany poziom mocy, np. 6, za pomocą przycisku **-**.
- W trybie automatycznego podgrzewania wstępnego wyświetlacz pola grzejnego będzie na przemian pokazywał ustawiony poziom (6) z kropką dziesiętną (13).

ZMIANA USTAWIENIA POZIOMU MOCY PODCZAS AUTOMATYCZNEGO PODGRZEWANIA WSTĘPNEGO

Musi być włączone odpowiednie pole grzejne.

Punkt dziesiętny (13) musi być podświetlony na odpowiednim wyświetlaczu.

Wartość grzewczą można zwiększyć wyłącznie za pomocą przycisku **+**.

Jeśli poziom zostanie zwiększony, nowy czas nagrzewania zostanie obliczony z uwzględnieniem czasu, jaki upłynął od poprzedniego ustawienia.

Przykład: Poziom 1 to pierwszy wybrany poziom, odpowiadający czasowi podgrzewania 1' 11".

Po 30" poziom mocy jest zwiększany do 4, co wymaga czasu nagrzewania wynoszącego 5' 28".

Po zmianie poziomu automatyczne podgrzewanie będzie trwało jeszcze 4'58" (5'28" - 30 = 4'58").

WYŁĄCZANIE FUNKCJI AUTOMATYCZNEGO PODGRZEWANIA WSTĘPNEGO

Odpowiednie pole grzejne musi być włączone.

Punkt dziesiętny (13) na odpowiednim wyświetlaczu musi być podświetlony.

- Po aktywowaniu funkcji na co najmniej 10 sekund. nacisnąć przycisk **-** (4).

MINUTNIK

Ta automatyczna funkcja eliminuje również potrzebę interwencji człowieka podczas całego cyklu gotowania.

Pole grzejne jest automatycznie wyłączone po upływie ustawionego czasu.

AKTYWACJA FUNKCJI MINUTNIKA

Pole, które ma zostać zaprogramowane, musi być włączone.

- Wybrać poziom od 1 do 9.
- Nacisnąć przycisk minutnika (7), na wyświetlaczu minutnika pojawi się 00.
- Wybrać czas gotowania (od 0 do 99 minut) za pomocą przycisków **+** i **-** (5 i 4). Funkcja minutnika zostaje automatycznie włączona w ciągu kilku sekund.

Zapali się lampka kontrolna (11) odpowiadająca zaprogramowanemu polu.

- Przytrzymać wciśnięte przyciski **+** lub **-**, aby szybko dostosować czas gotowania.

Funkcja minutnika ma zastosowanie do wszystkich pól płyty kuchennej.

ZMIANA POPRZEDNIO USTAWIONEGO CZASU GOTOWANIA

Zaprogramowany czas gotowania można zmienić w dowolnym momencie.

Odpowiednie pole grzejne musi być włączone.

Odpowiedni wyświetlacz miga razem z diodą LED odpowiadającą przekaźnikowi czasowemu strefy (11).

- Nacisnąć przycisk minutnika (7).
- Ustawić nowy czas gotowania za pomocą przycisków **+** i **-** (5 i 4).
- Przytrzymać wciśnięte przyciski **+** lub **-**, aby szybko dostosować czas gotowania

WYŁĄCZANIE MINUTNIKA

Po upływie ustawionego czasu gotowania przez 2 minuty emitowany będzie sygnał dźwiękowy. Aby przerwać sygnał należy po prostu nacisnąć dowolny przycisk.

Pole grzejne jest teraz wyłączone.

Aby przerwać działanie minutnika przed upływem zaprogramowanego czasu, musi być włączone odpowiednie pole grzejne.

- Nacisnąć przycisk minutnika (7).
- Wyzerować czas, naciskając przycisk **-** (4).

Minutnik jest teraz wyłączony, ale pole grzejne pozostanie włączone, dopóki nie zostanie wyłączone ręcznie.

SZYBKIE WYŁĄCZENIE

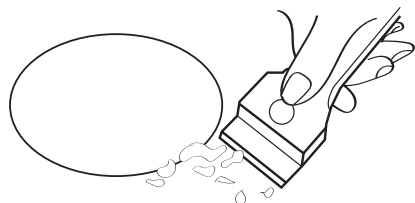
- Odpowiednie pole grzejne musi być włączone.
- Nacisnąć jednocześnie przyciski **+** i **-** (5 i 4). Pole grzejne zostanie natychmiast wyłączone. Wyłączony zostanie także minutnik.

CZYSZCZENIE I KONSERWACJA

W pierwszej kolejności należy usunąć resztki jedzenia i krople tłuszczu z powierzchni gotowania za pomocą specjalnego skrobaka (rys. 4).

Następnie czyścić specjalnymi produktami do szkło-ceramicznych powierzchni kuchennych za pomocą papierowego ręcznika, następnie spłukać wodą i osuszyć czystą ściereczką.

Kawałki folii aluminiowej i tworzywa sztucznego, które przypadkowo uległy stopieniu, resztki cukru lub wysoko scukrzzone potrawy należy natychmiast usunąć z gorącego obszaru gotowania za pomocą specjalnego skrobaka (rys. 4).



Rys. 4

Ma to na celu uniknięcie ewentualnych uszkodzeń powierzchni blatu.

W żadnym wypadku nie należy używać gąbek ściernych ani drażniących detergentów chemicznych, takich jak środki do usuwania plam.

NIE NALEŻY UŻYWAĆ URZĄDZEŃ DO CZYSZCZENIA PARĄ.

W przypadku stosowania elementów grzejnych zalecane są naczynia z płaskim dnem (rys. 5) o średnicy takiej samej lub nieco większej niż średnica pola grzejnego.



Rys. 5

- Unikać przelewania się cieczy, dlatego w przypadku wrzenia lub w każdym przypadku, gdy ciecz jest podgrzewana, zmniejszyć dopływ ciepła.
- Nie pozostawiać włączonych elementów grzewczych bez pojemników na górze lub z pustymi garnkami i patelniami.

Jeśli na powierzchni grzejnej pojawi się nawet niewielkie pęknięcie, należy natychmiast odłączyć zasilanie, aby uniknąć możliwości porażenia prądem.

DANE TECHNICZNE

GRZAŁKI	MOC NOMINALNA
promiennik jednoobwodowy Ø 210 (FRSM 604 C T)	2100 W
promiennik jednoobwodowy Ø 140 (FRSM 603 C TD / 2 x FRSM 604 C T)	1200 W
promiennik jednoobwodowy Ø 180 (FRSM 603 C TD)	1700 W
promiennik jednoobwodowy Ø 180 (FRSM 604 C T)	1700 W
promiennik dwuobwodowy Ø 210/270 (FRSM 603 C TD)	1500/2400 W

WSPARCIE TECHNICZNE

W przypadku jakichkolwiek problemów z działaniem urządzenia należy skontaktować się z Centrum Obsługi Technicznej Franke.

Nigdy nie należy korzystać z usług nieautoryzowanych techników.

Kontaktując się z serwisem, podać następujące informacje:

- Rodzaj usterki
- Model urządzenia (art.)
- Numer seryjny (SN)

Ta informacja znajduje się na tabliczce znamionowej. Tabliczka umieszczona jest na boku produktu.

Na potrzeby gwarancji należy zachować dowód zakupu.



WWW.FRANKE.COM

© Franke Technology and Trademark Ltd., Switzerland

CUPRINS

INFORMAȚII PRIVIND SIGURANȚA.....	78
INSTALAREA.....	79
RACORDAREA ELECTRICĂ.....	80
PREZENTARE GENERALĂ.....	81
UTILIZAREA ZILNICĂ.....	82
FUNCȚIILE.....	82
CURĂȚAREA ȘI ÎNTREȚINEREA.....	84
DATE TEHNICE.....	84
ASISTENȚA.....	84

Citiți instrucțiunile de utilizare înainte de a utiliza pentru prima dată produsul.


Producătorul nu este răspunzător pentru posibilele defecțiuni cauzate de instalarea incorectă și de utilizarea incorectă, necorespunzător sau nerezonabilă a aparatului.

Pentru a asigura operarea eficientă și în siguranță a acestui aparat electric:

Contactați numai centrele de service autorizate.

Nu modificați niciuna dintre dotările acestui aparat.


Acest aparat nu este destinat utilizării de către persoane (inclusiv copii) cu capacități fizice, senzoriale sau mintale reduse sau care nu au experiență sau cunoștințele necesare decât dacă sunt supravegheate sau au fost instruite.


 Acest aparat poate fi utilizat de copiii cu vârsta de peste 8 ani și de persoanele cu capacități fizice, senzoriale sau mintale reduse sau lipsite de experiență și de cunoștințe cu condiția asigurării supravegherii sau instruirii acestora referitor la utilizarea în siguranță a aparatului și dacă aceștia înțeleg pericolele la care se expun.


Copiii nu trebuie să se joace cu aparatul.


Curățarea și întreținerea nu trebuie efectuate de copii dacă aceștia nu sunt supravegheați.

Copiii trebuie supravegheați pentru a exista siguranța că aceștia nu se joacă cu aparatul.


 Trebuie să existe posibilitatea de deconectare a aparatului de la sursa de alimentare electrică prin scoaterea ștecherului din priză dacă acesta este accesibil sau prin intermediul unui comutator multipolar instalat în amonte de priză conform regulilor de cablare, iar aparatul trebuie să fie împământat în conformitate cu standardele naționale de siguranță electrică.

 Nu utilizați cabluri prelungitoare, prize multiple sau adaptoare. După instalare, componentele electrice nu trebuie să fie accesibile pentru utilizator. Nu utilizați aparatul dacă sunteți ud sau desculț. Nu utilizați acest aparat dacă cablul de alimentare electrică sau ștecherul acestuia este deteriorat, dacă nu funcționează corespunzător sau dacă a fost deteriorat sau scăpat pe jos.


 În cazul în care cablul de alimentare electrică este deteriorat, acesta trebuie înlocuit cu unul identic de către producător, tehnicianul de service al acestuia sau de persoane calificate similar, pentru a preveni producerea oricărui accident - există riscul de electrocutare.


 AVERTISMENT: Aparatul și părțile sale accesibile ale acestuia se înfierbântă în timpul utilizării acestuia. Aveți grijă să evitați atingerea rezistențelor.

- Nu permiteți accesul la aparat copiilor cu vârsta mai mică de 8 ani, cu excepția cazului în care aceștia sunt supravegheați în mod constant.

 AVERTISMENT: Prepararea nesupravegheată pe plită a alimentelor care conțin grăsime sau ulei poate fi periculoasă și poate provoca izbucnirea unui incendiu.

- În cazul izbucnirii unui incendiu, NU încercați NICIODATĂ să-l stingeți cu apă, ci opriți aparatul și acoperiți flacăra, de exemplu, cu un capac sau cu o pătură ignifugă.

 AVERTISMENT: Pericol de incendiu: nu depozitați alimente pe suprafețele de gătit.

 Dacă suprafața este crăpată, opriți aparatul pentru a evita posibilitatea de electrocutare.

AVERTISMENT: Asigurați-vă că aparatul este oprit și deconectați-l de la sursa de alimentare cu energie electrică înainte de efectuarea oricărei lucrări de întreținere.

Pericol de electrocutare!

Nu curățați niciodată plita utilizând aparate de curățare cu aburi.

Nu utilizați pe plită produse abrazive sau corozive, agenți de curățare pe bază de clor sau bureți abrazivi pentru curățarea vaselor. Nu așezați pe suprafața plitei obiecte metalice precum cuțite, furculițe, linguri și capace, deoarece acestea se pot înfierbânta.

ATENȚIE: Aparatul nu este destinat acționării prin intermediul unui dispozitiv de comutare extern, precum un temporizator sau un sistem de comandă de la distanță separat.

- Pericol de incendiu: Nu depozitați articole pe suprafețele de gătit.

ATENȚIE: Procesul de preparare termică trebuie supravegheat. Un proces scurt de preparare termică trebuie supravegheat în permanență.

INSTALAREA

Toate operațiunile de instalare (racordul electric) trebuie să fie efectuate de personal calificat în conformitate cu regulamentele aflate în vigoare. Nu priviți direct spre lampa cu halogen.

Aceste instrucțiuni sunt destinate tehnicienilor calificați, ca ghid de instalare, reglare și întreținere, în conformitate cu legile și standardele aflate în vigoare. Toate aceste operațiuni trebuie să fie efectuate întotdeauna cu aparatul deconectat de la sistemul electric.

Aparatul nu este destinat utilizării cu un temporizator extern sau cu un sistem de comandă de la distanță separat.


POZIȚIONAREA

Aparatul poate fi montat într-o zonă de lucru, conform ilustrației din figură (Fig. 1a și Fig. 1b). Aplicați garnitura de etanșare furnizată peste întregul perimetru al zonei de lucru.

ELIMINAREA APARATELOR ELECTROCASNICE

Acest aparat a fost fabricat din materiale reciclabile sau reutilizabile. Eliminați aparatul în conformitate cu regulamentele locale privind eliminarea deșeurilor. Pentru informații suplimentare privind tratarea, recuperarea și reciclarea aparatelor electrocasnice electrice, contactați autoritatea locală responsabilă, serviciul de colectare a echipamentelor electrocasnice sau magazinul de la care ați achiziționat aparatul. Acest aparat este marcat în conformitate cu Directiva europeană 2012/19/UE privind deșeurile de echipamente electrice și electronice (DEEE).

Prin asigurarea eliminării corecte a acestui produs, veți contribui la prevenția consecințelor negative asupra mediului și sănătății umane.

Simbolul  existent pe produs sau în documentația însoțitoare indică faptul că acesta nu trebuie tratat ca deșeu menajer, ci că trebuie predat la un centru de colectare corespunzător pentru reciclarea echipamentelor electrice și electronice.

ELIMINAREA MATERIALELOR DE AMBALARE

Diversele componente ale ambalajului trebuie eliminate în mod ecologic și în delință conformitate cu regulamentele autorităților locale privind eliminarea deșeurilor.

RECOMANDĂRI PRIVIND ECONOMISIREA ENERGIEI

Utilizați la maximum de căltura reziduală a plitei oprind-o cu câteva minute înainte de finalizarea procesului de preparare.

Baza oalei sau cratiței trebuie să acopere complet zona de gătit; un vas cu baza mai mică decât suprafața plitei poate cauza pierderi de energie.

În timpul gătitului, acoperiți oalele și cratițele cu capace cu închidere etanșă și utilizați cantități de apă cât mai mici posibil. Prepararea într-un vas fără capac crește semnificativ consumul energetic.

FRSM 603 C TD BK / FRSM 604 C T BK

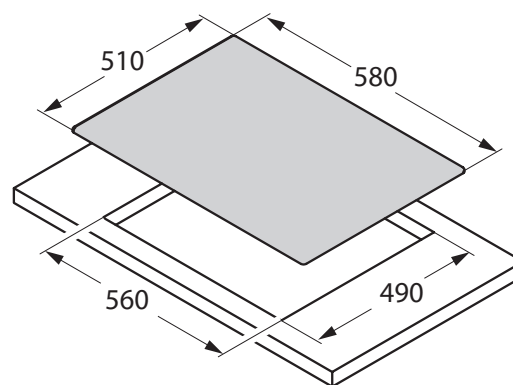


Fig. 1a

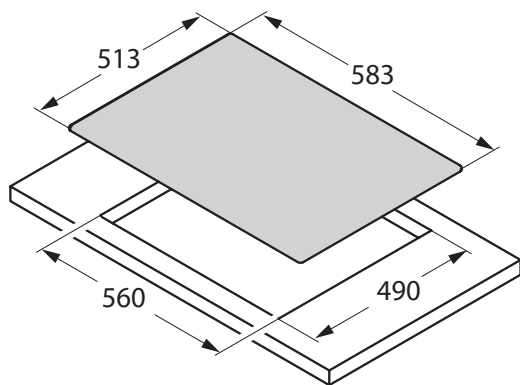


Fig. 1b

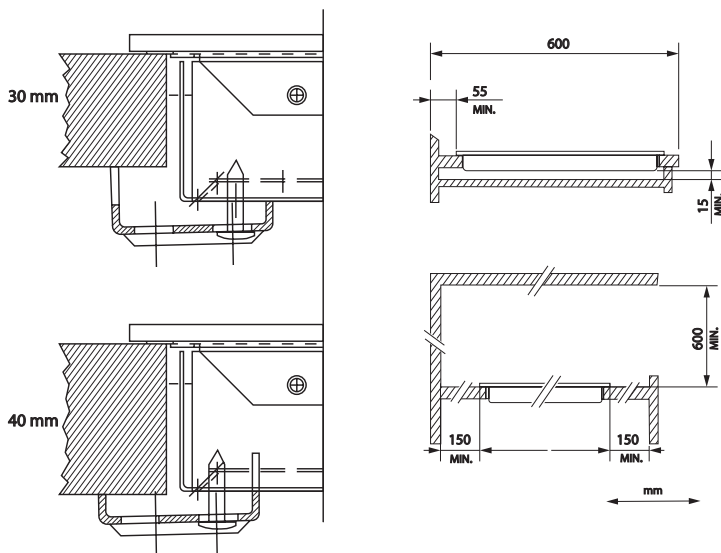


Fig. 2

RACORDAREA ELECTRICĂ

Înainte de efectuarea racordării electrice, asigurați-vă că:

- caracteristicile instalației coincid cu cele menționate pe plăcuța cu date tehnice din partea inferioară a zonei de lucru;
- instalația este montată cu o conexiune de împământare eficientă, conform standardelor și prevederilor legale aflate în vigoare.

Conexiunea de împământare este obligatorie prin lege. Dacă echipamentul nu este prevăzut cu un cablu și/sau ștecher, utilizați și un material de absorbție adecvat pentru temperatura de lucru, conform indicațiilor de pe plăcuța cu date tehnice. Cablul nu trebuie în niciun caz să atingă o temperatură cu 50 °C mai mare decât temperatura ambiantă.

În cazul conectării directe la o priză de alimentare cu energie electrică, montați un comutator multipolar cu o dimensiune corespunzătoare pentru capacitatea nominală, cu o distanță care să deconecteze complet linia electrică aflată sub tensiune în condiții din categoria III, conform regulilor de instalare (conductorul galben/verde de împământare nu trebuie să fie întrerupt).

Ștecherul sau comutatorul omipolar trebuie să fie ușor accesibil la echipamentul instalat.

Producătorii nu își asumă nicio răspundere în cazul nerespectării specificațiilor de mai sus și a normelor de prevenție a accidentelor.

NOTĂ: Asigurați-vă că caracteristicile sistemului electric al locuinței (tensiunea, nivelul maxim pentru curent și putere) sunt compatibile cu cele ale aparatului.

CABLUL DE ALIMENTARE CU ENERGIE ELECTRICĂ TREBUIE ÎNLOCUIT NUMAI DE UN ELECTRICIAN CALIFICAT.

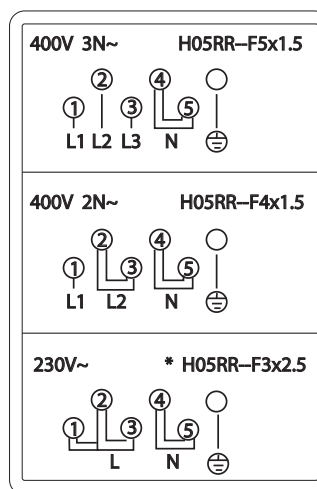
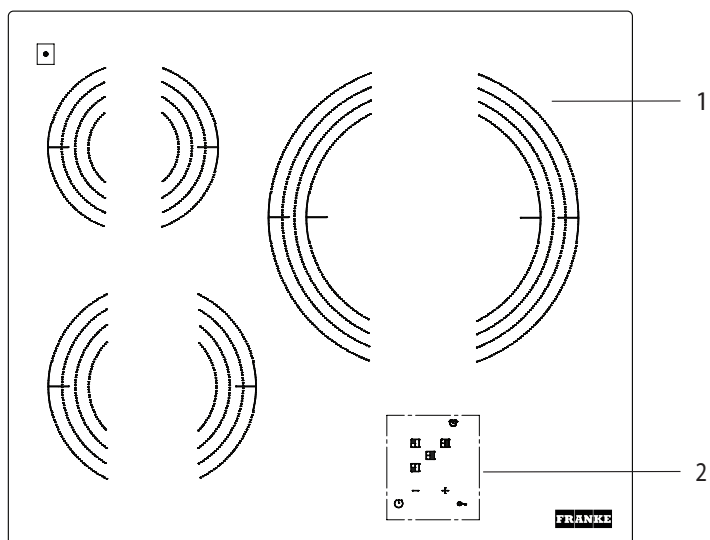


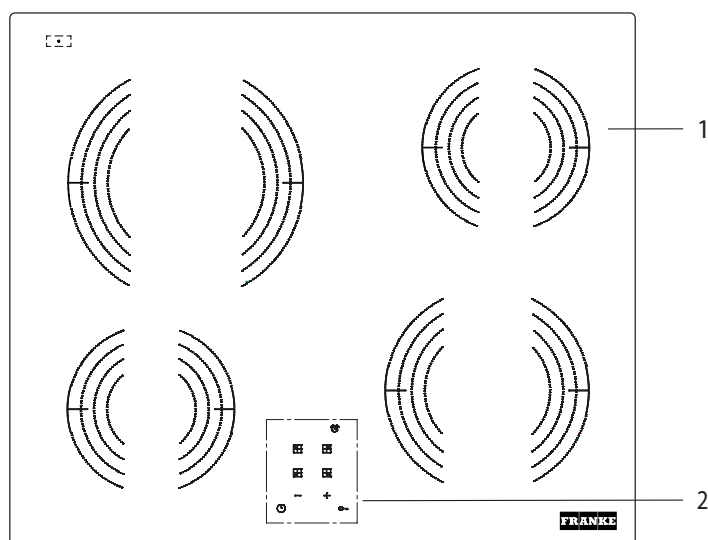
Fig. 3 Luând în considerare factorul de actualitate

PREZENTARE GENERALĂ

FRSM 603 C TD



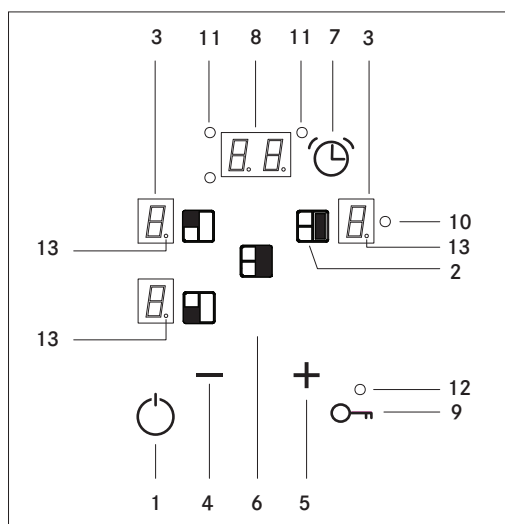
FRSM 604 C T



1. Plită
2. Panou de comandă

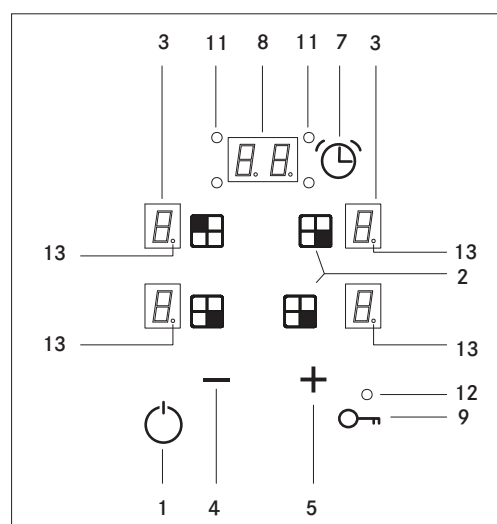
PANOU DE COMANDĂ

FRSM 603 C TD



1. Tastă de PORNIRE/OPRIRE
2. Zonă de gătit
3. Afişaj cu setări
4. Minus
5. Plus
6. Circuit dublu numai pentru FRSM 603 C TD
7. Temporizator

FRSM 604 C T



8. Afişajul temporizatorului
9. Funcție de blocare
10. Lampă indicatoare a circuitului dublu
11. Lămpile indicatoare ale temporizatorului
12. Lampă indicatoare a blocării
13. Punct zecimal

TASTE TACTILE


Toate operațiunile pot fi efectuate cu ajutorul tastelor tactile (senzorilor optici) de pe partea frontală a panoului de comandă; fiecare tastă are un afișaj corespunzător.

UTILIZAREA ZILNICĂ

REZISTENȚE CU COMANDĂ TACTILĂ

COMANDĂ TACTILĂ	INTENSITATE CĂLDURĂ
1	slabă
2-3	delicată
4	lentă
5-6	medie
7-8	puternică
9	intensivă

ACTIVAREA UNEI ZONE DE GĂTIT

- Atingeți tasta tactilă  timp de 2 secunde. Comanda este activată: indicatorii nivelului de putere (3) prezintă 0.
- Efectuați următoarea operațiune în decurs de 10 secunde, în caz contrar, aparatul se va opri automat.
 - Apăsați tasta (2) corespunzătoare zonei de gătit. Afișajul corespunzător va afișa intermitent 0, indicând faptul că zona este activată.
 - Setați nivelul puterii (de la 1 până la 9) utilizând tastele **+** și **-** (5/4). Tastele **+** și **-** au o funcție de repetor, adică prin menținerea apăsată a acestor taste, setarea va fi crescută sau redusă cu câte o unitate la fiecare 0,3 secunde.

FUNȚIILE

ZONA DE GĂTIT CU CIRCUIT DUBLU (NUMAI LA MODELUL FRSM 603 C TD)

Zona de gătit poate fi dotată cu un circuit dublu, de exemplu, cu un disc central și un inel exterior.

Puteți utiliza zona centrală sau ambele zone împreună, adaptând astfel zona de gătit la dimensiunea vasului de gătit.

ACTIVAREA UNEI ZONE DE GĂTIT CU CIRCUIT DUBLU (NUMAI LA MODELUL FRSM 603 C TD)

- Zona de gătit corespunzătoare trebuie să fie activată.
- Selectați nivelul de putere dorit (de la 1 până la 9).
 - Activați al doilea circuit apăsând tasta pentru circuitul dublu (6).
- Lampa indicatoare (10) a zonei selectate se va aprinde; al doilea circuit este activat împreună cu primul circuit.

Fiecare activitate este confirmată prin emiterea unui semnal sonor.
NOTĂ: Funcția KeyLock este activată la prima conectare a plitei la rețeaua de alimentare cu energie electrică.
Pentru a o dezactiva și a începe utilizarea produsului, apăsați tasta (9).

Zonele de gătit pot fi activate doar pe rând, deci zonele de gătit ale plitei nu se aprind intermitent simultan.

DEZACTIVAREA UNEI ZONE DE GĂTIT

Zona de gătit trebuie să fie activată.
Reduceți nivelul de putere la 0 apăsând (4).
După 10 secunde, zona de gătit se va dezactiva automat.

DEZACTIVAREA RAPIDĂ

Zona de gătit trebuie să fie activată.
Apăsați simultan tastele **+** și **-** (5/4), iar zona de gătit se va dezactiva imediat.

INDICATOARELE DE CĂLDURĂ REZIDUALĂ

Cât timp zona de gătit este suficient de fierbinte pentru a putea provoca arsuri, pe afișajul corespunzător este afișat simbolul **H** (căldură reziduală). Simbolul dispare numai atunci când temperatura scade sub 60 °C și nu mai există riscul de arsuri.

Pe afișaj apare 0 atât timp cât temperatura este de sub 60 °C, iar simbolul **H** este afișat numai atunci când temperatura crește la o valoare de peste 60 °C.

- Dezactivați zona de gătit înainte de finalizarea procesului de preparare pentru a utiliza căldura reziduală și a economisi energie.

Dacă alimentarea electrică este întreruptă, indicatorul **H** al căldurii reziduale se dezactivează.

Aparatul poate fi oprit în orice moment prin apăsarea tastei de pornire/oprire (1).

DEZACTIVAREA CELUI DE-AL DOILEA CIRCUIT AL ZONEI DE GĂTIT CU CIRCUIT DUBLU (NUMAI LA MODELUL FRSM 603 C TD)

Zona cu circuit dublu trebuie să fie activată.
Atingeți tasta pentru circuitul dublu (6).
Lampa indicatoare (10) se stinge, iar al doilea circuit este dezactivat.

FUNȚIA DE BLOCARE A APARATULUI

Prin apăsarea tastei de blocare (9), aparatul poate fi blocat complet pentru a se preveni acțiunea accidentală a acestuia. Aceasta este de asemenea o funcție de protecție împotriva accesului copiilor.

Dacă funcția de blocare nu este dezactivată înainte de dezactivarea aparatului, aceasta va fi în continuare activă la următoarea pornire a aparatului.

În timp ce funcția de blocare este activată, acțiunea tastelor nu va avea niciun efect.

DEZACTIVAREA AUTOMATĂ DE SIGURANȚĂ

Dacă una sau mai multe zone de gătit sunt lăsate activate în mod accidental, această funcție de comandă le dezactivează automat sau reduce puterea acestora după o anumită perioadă de timp.

În cazul unei opriri automate de siguranță, pe afișaj este prezentat intermitent simbolul **H** sau **Fc**.

Pentru a preveni oprirea automată, doar atingeți tasta de selectare a zonei de gătit sau tastele **+** și **-** înainte de expirarea limitei de timp.

PREÎNCĂLZIREA AUTOMATĂ

Această funcție simplifică procesul de preparare deoarece elimină necesitatea intervenției factorului uman.

Zona de gătit este mai întâi preîncălzită la puterea maximă pentru a atinge rapid temperatura de preparare, după care puterea este redusă automat la nivelul presetat (tab. 1).

NIVEL DE PUTERE	FUNCȚIE DE PREÎNCĂLZIREA AUTOMATĂ
1	1' 11"
2	2' 44"
3	4' 47"
4	5' 28"
5	6' 29"
6	1' 11"
7	2' 44"
8	2' 44"
9	-

ACTIVAREA FUNCȚIEI DE PREÎNCĂLZIRE AUTOMATĂ

- Selectați zona de gătit apăsând tasta (2).
- Selectați nivelul de putere 9 utilizând tasta **-**. Apoi selectați nivelul 9 cu un punct zecimal utilizând tasta **+**.
- Selectați nivelul de putere dorit, de exemplu 6, utilizând tasta **-**.
- În modul de preîncălzire automată, afișajul zonei de gătit va prezenta alternativ nivelul setat (6) cu un punct zecimal (13).

SCHIMBAREA SETĂRII NIVELULUI DE PUTERE ÎN TIMPUL PREÎNCĂLZIRII AUTOMATE

Zona de gătit corespunzătoare trebuie să fie activată.

Punctul zecimal (13) de pe afișajul corespunzător trebuie să fie aprins.

Valoarea de încălzire poate fi crescută numai cu ajutorul tastei **+**.

Nivelul este crescut, iar noua durată de preîncălzire va fi calculată ținându-se cont de durata de timp scursă de la efectuarea setării anterioare.

Exemplu: Nivelul 1 este primul selectat, corespunzând unei durate de preîncălzire de 1' 11".

După 30", nivelul de putere este crescut la 4, necesitând o durată de preîncălzire de 5' 28".

După schimbarea nivelului, preîncălzirea automată va mai dura încă 4'58" (5' 28" - 30 = 4'58").

DEZACTIVAREA FUNCȚIEI DE PREÎNCĂLZIRE AUTOMATĂ

Zona de gătit corespunzătoare trebuie să fie activată.

Punctul zecimal (13) de pe afișajul corespunzător trebuie să fie aprins.

- Apăsați **-** (4) la cel puțin 10 secunde de la activarea funcției.

FUNCȚIA TEMPORIZATORULUI

Această funcție automată elimină, de asemenea, necesitatea intervenției factorului uman pe parcursul întregului ciclu de gătit.

Zona de gătit este dezactivată automat după expirarea duratei de timp setate.

ACTIVAREA FUNCȚIEI TEMPORIZATORULUI

Zona de gătit care urmează să fie programată trebuie să fie activată.

- Selectați un nivel de la 1 până la 9.
- Apăsați tasta temporizatorului (7), iar pe afișajul temporizatorului va apărea 00.
- Selectați durata de preparare (de la 0 până la 99 de minute) utilizând tastele **+** și **-** (5 și 4). Funcția temporizatorului este activată automat în decurs de câteva secunde.

Lampa indicatoare (11) corespunzătoare zonei programate se aprinde.

- Mențineți apăsată tasta **+** sau **-** pentru a regla rapid durata de preparare.

Funcția temporizatorului este disponibilă pentru toate zonele de gătit ale plitei.

MODIFICAREA UNEI DURATE DE PREPARARE SETATE ANTERIOR

Durata de preparare programată poate fi modificată în orice moment.

Zona de gătit corespunzătoare trebuie să fie activată.

Afișajul corespunzător se aprinde intermitent împreună cu LED-ul corespunzător temporizatorului zonei de gătit respective (11).

- Apăsați tasta temporizatorului (7).
- Setati o nouă durată de preparare cu ajutorul tastelor **+** și **-** (5 și 4).
- Mențineți apăsată tasta **+** sau **-** pentru a regla rapid durata de preparare

DEZACTIVAREA FUNCȚIEI TEMPORIZATORULUI

Când timpul setat expiră, este emis un semnal acustic timp de 2 minute. Pentru a întrerupe semnalul acustic, doar apăsați una dintre taste.

Zona de gătit este acum dezactivată.

Dacă doriți să întrerupeți temporizatorul înainte de expirarea duratei de timp programate, zona de gătit corespunzătoare trebuie să fie activată.

- Apăsați tasta temporizatorului (7).
- Reduceți durata la zero apăsând tasta **-** (4).

Temporizatorul este acum dezactivat, însă zona de gătit va rămâne activată până când va fi dezactivată manual.

DEZACTIVAREA RAPIDĂ

1. Zona de gătit corespunzătoare trebuie să fie activată.
2. Apăsați simultan tastele **+** și **-** (5 și 4); zona de gătit este dezactivată imediat. Temporizatorul va fi de asemenea dezactivat.

CURĂȚAREA ȘI ÎNTREȚINEREA

Mai întâi, îndepărtați resturile alimentare și stropii de grăsime de pe suprafața plitei utilizând racleta specială (Fig. 4).

Apoi curățați cu produse speciale pentru plite vitroceramice și cu un prosop de hârtie, apoi clătiți cu apă și uscați cu o lavetă uscată.

Bucățiile de folie de aluminiu și materialele plastice care s-au topit accidental, reziduurile de zahăr sau alimentele foarte zaharose trebuie îndepărtate imediat de pe zona de gătit fierbinte cu ajutorul racletei speciale (Fig. 4).

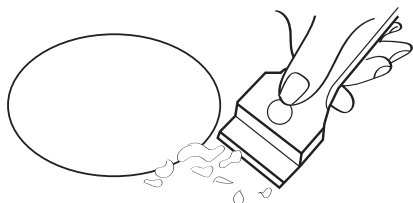


Fig. 4

Astfel se evită posibilitatea deteriorare a suprafeței superioare.

Nu utilizați niciodată bureți abrazivi sau detergenți chimici agresivi pentru a îndepărta petele.

NU UTILIZAȚI APARATE DE CURĂȚARE CU ABURI.

Dacă doriți să utilizați rezistențe, este recomandat să utilizați vase cu baza plată (Fig. 5) care au același diametru sau un diametru puțin mai mare decât cel al zonei de gătit.

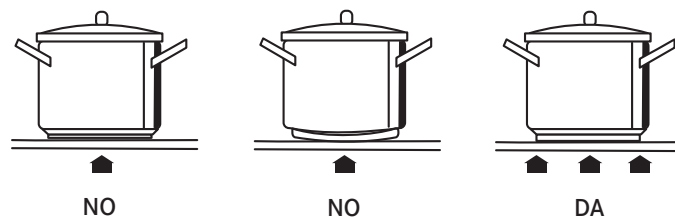


Fig. 5

- Evitați revărsarea de lichid; în acest scop, în cazul fierberii sau încălzirii de orice fel a lichidelor, reduceți intensitatea căldurii.
- Nu lăsați rezistențele activate fără vase așezate pe acestea sau cu oale și cratițe goale așezate deasupra.

Dacă suprafața plitei prezintă chiar și o crăpătură minoră, deconectați imediat alimentarea electrică pentru a evita posibilitatea de electrocutare.

DATE TEHNICE

REZISTENȚE	PUTERE NOMINALĂ
rezistență radiantă, cu circuit simplu și diametrul de 210 (FRSM 604 C T)	2100 W
rezistență radiantă, cu circuit simplu și diametrul de 140 (FRSM 603 C TD/2 x FRSM 604 C T)	1200 W
rezistență radiantă, cu circuit simplu și diametrul de 180 (FRSM 603 C TD)	1700 W
rezistență radiantă, cu circuit simplu și diametrul de 180 (FRSM 604 C T)	1700 W
rezistență radiantă, cu circuit dublu și diametrul de 210/270 (FRSM 603 C TD)	1500/2400 W

ASISTENȚA

În cazul oricăror altor probleme de funcționare, contactați centrul de service Franke.

Nu apelați niciodată la serviciile unor tehnicieni neautorizați.

Atunci când contactați serviciul de asistență pentru clienți, vă rugăm să furnizați următoarele informații:

- tipul de defecțiune
- modelul aparatului (Art.)
- numărul de serie (N.S.)

Aceste informații sunt specificate pe plăcuța cu date tehnice. Plăcuța cu date tehnice se află pe partea inferioară a aparatului.

De asemenea, trebuie să dețineți dovada cumpărării dacă aparatul se află în perioada de garanție.



WWW.FRANKE.COM

© Franke Technology and Trademark Ltd., Switzerland

OBSAH

BEZPEČNOSTNÉ INFORMÁCIE	86
INŠTALÁCIA	87
ELEKTRICKÉ PRIPOJENIE.....	88
PREHĽAD	89
KAŽDODENNÉ POUŽÍVANIE	90
FUNKCIE.....	90
ČISTENIE A ÚDRŽBA.....	92
TECHNICKÉ ÚDAJE	92
PODPORA	92

Pred prvým použitím produktu si prečítajte prevádzkové pokyny.


Výrobca nemôže byť braný na zodpovednosť za prípadné škody ku ktorým dôjde v dôsledku nesprávnej inštalácie a nesprávneho, nevhodného alebo neprimeraného použitia zariadenia.

Zabezpečenie efektívnej a bezpečnej prevádzky tohto elektrického zariadenia:

Kontaktujte iba autorizované strediská zákazníckeho servisu.

Neupravujte žiadne funkcie zariadenia.


Spotrebič nesmú používať osoby (vrátane detí) so zníženými fyzickými, zmyslovými alebo mentálnymi schopnosťami alebo nedostatočnými skúsenosťami a vedomosťami, pokiaľ nie sú pod dozorom alebo neboli poučené.


 Spotrebič môžu používať deti od 8 rokov, osoby s obmedzenými fyzickými, senzorickými alebo duševnými schopnosťami alebo s obmedzenými skúsenosťami alebo vedomosťami môžu toto zariadenie používať pod dozorom alebo ak sa im poskytnú pokyny týkajúce sa bezpečného používania spotrebiča a ak rozumejú súvisiacim rizikám.


Deti sa nesmú hrať so zariadením.


Čistenie a používateľskú údržbu nesmú vykonávať deti bez dozoru.

V rámci dohľadu nad deťmi treba zabezpečiť, aby sa so spotrebičom nehrali.


 Spotrebič sa musí dať odpojiť od elektrickej siete vytiahnutím zástrčky zo zásuvky, ak je zástrčka prístupná, alebo viacpólovým vypínačom nainštalovaným pred zásuvkou v súlade s pravidlami elektroinštalácie a spotrebič musí byť uzemnený v súlade s vnútroštátnymi normami elektrickej bezpečnosti.

 Nepoužívajte predlžovačky ani viacnásobné zásuvky či adaptéry. Elektrické komponenty nesmú byť po inštalácii prístupné používateľovi. Nepoužívajte zariadenie, keď ste mokří alebo stojíte naboso. Tento spotrebič nepoužívajte, ak má poškodený napájací kábel alebo zástrčku, ak nefunguje správne alebo ak bol poškodený alebo spadol.


 Aby sa predišlo rizikám, musí poškodený napájací kábel za rovnaký vymeniť výrobca, jeho servisný zástupca alebo osoba s podobnými kvalifikáciami - nebezpečenstvo zásahu elektrickým prúdom.


 POZOR: Spotrebič a niektoré jeho prístupné časti sa pri používaní môžu zahriať na veľmi vysokú teplotu. Treba dávať pozor, aby ste sa nedotkli ohrievacích prvkov.

- Deti do 8 rokov treba držať ďalej, pokiaľ nie sú pod stálym dohľadom.

 POZOR: Varenie s olejom alebo tukom na varnej ploche bez dohľadu môže byť nebezpečné a mať za následok požiar.

- NIKDY sa nepokúšajte uhasiť oheň vodou, ale vypnite spotrebič a potom plameň zakryte napr. poklopom alebo protipožiarnou prikrývkou.

 POZOR: Nebezpečenstvo požiaru: na varných plochách neskladujte predmety.

 Ak je povrch prasknutý, spotrebič odpojte od napájania, aby nemohlo dôjsť k zásahu elektrickým prúdom v prípade varných dosiek zo sklokeramiky alebo podobného materiálu, ktoré chránia časti pod napätím.

! POZOR: Pred vykonaním akejkoľvek údržby sa uistite, že je spotrebič vypnutý a odpojený od elektrickej siete.

! Riziko úrazu elektrickým prúdom!

Nikdy nepoužívajte parné čistiace zariadenie.

Nepoužívajte abrazívne alebo korozívne prostriedky, čistiace prostriedky na báze chlóru ani prostriedky na čistenie panvíc. Kovové predmety, ako sú nože, vidličky, lyžice a pokrievky sa nesmú klásať na varnú plochu, pretože by sa mohli veľmi zahriať.

! POZOR: spotrebič nie je určený na prevádzku pomocou externého spínacieho zariadenia, ako je časovač, alebo samostatného diaľkovo ovládaného systému.

- Nebezpečenstvo požiaru: na varných plochách neskladujte predmety.

! POZOR: Proces varenia musí prebiehať pod dohľadom. Na krátky proces varenia treba dohliadať bez prerušenia.

INŠTALÁCIA

Všetky činnosti súvisiace s inštaláciou (elektrické pripojenie) by mal vykonávať kvalifikovaný personál v súlade s platnými predpismi.

Nepozerajte sa na halógenovú lampu.

Tento návod je určený pre kvalifikovaných technikov ako návod na inštaláciu, nastavenie a údržbu v súlade s platnými zákonmi a normami. Všetky tieto operácie sa musia vykonávať vždy po odpojení spotrebiča od elektrickej siete.

Spotrebič nie je určený na použitie s externým časovačom alebo samostatným systémom diaľkového ovládania.


UMIESTNENIE

Spotrebič je možné namontovať do pracovného priestoru, ako je znázornené na obrázku (obr. 1a a obr. 1b). Dodané tesnenie naneste po celom obvode pracovnej plochy.

LIKVIDÁCIA SPOTREBIČOV V DOMÁCNOSTI

Tento spotrebič je vyrobený z recyklovateľných alebo opätovne použiteľných materiálov. Zlikvidujte ho v súlade s miestnymi predpismi o likvidácii odpadu. Ďalšie informácie o spracovaní, zhodnocovaní a recyklácii domácich elektrospotrebičov získate na miestnom úrade, v službe zberu domového odpadu alebo v obchode, kde ste spotrebič zakúpili. Tento spotrebič je označený v súlade s európskou smernicou 2012/19/EÚ o odpade z elektrických a elektronických zariadení (OEEZ).

Správnou likvidáciou tohto výrobku pomôžete zabrániť negatívnym dôsledkom pre životné prostredie a ľudské zdravie.

Symbol  na výrobku alebo v sprievodnej dokumentácii označuje, že by sa s ním nemalo zaobchádzať ako s domácim odpadom, ale musí sa odovzdať do príslušného zberného strediska na recykláciu elektrických a elektronických zariadení.

LIKVIDÁCIA OBALOVÝCH MATERIÁLOV

Jednotlivé časti obalu musia byť zlikvidované zodpovedne a v plnom súlade s predpismi miestnych orgánov upravujúcimi likvidáciu odpadu

TIPY NA ÚSPORU ENERGIE

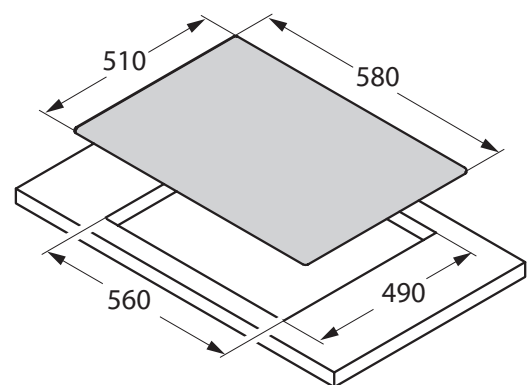
Využite zvyškové teplo varnej dosky tak, že ju vypnete niekoľko minút pred ukončením varenia.

Dno hrnce alebo panvice by malo úplne zakrývať horúcu platňu;

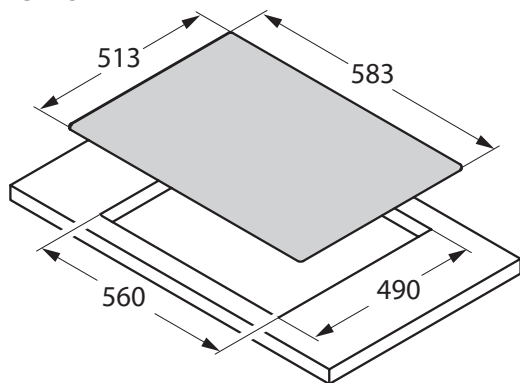
Nádoba, ktorá je menšia ako horúca platňa, spôsobuje plytvanie energiou.

Počas varenia zakryte hrnce a panvice tesne priliehajúcimi pokrievkami a používajte čo najmenej vody. Varenie s odklopeným vekom výrazne zvyšuje spotrebu energie.

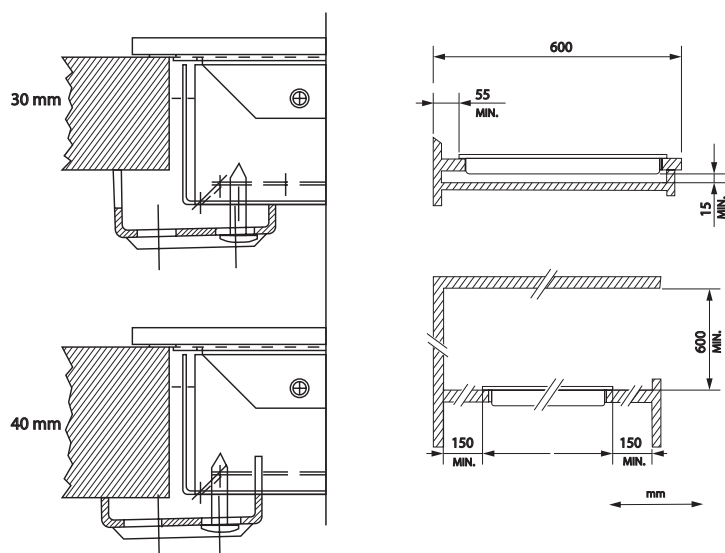
FRSM 603 C TD BK / FRSM 604 C T BK



Obr. 1a



Obr. 1b



Obr. 2

ELEKTRICKÉ PRIPOJENIE

Pred vykonaním elektrického pripojenia sa uistite, že:

- vlastnosti zariadenia sú také, aby zodpovedali tomu, čo je uvedené na technickom údajovom štítku umiestnenom na dspodku pracovnej plochy;
- aby bolo zariadenie vybavené účinným uzemnením v súlade s platnými normami a právnymi predpismi.

Zemniace spojenie je v zmysle zákona povinné. Ak na zariadení nie je kábel a/alebo zástrčka, použite vhodný absorpčný materiál aj pre pracovnú teplotu, ako je uvedené na technickom údajovom štítku. Kábel nesmie za žiadnych okolností dosiahnuť teplotu vyššiu o viac ako 50 °C od teploty okolia.

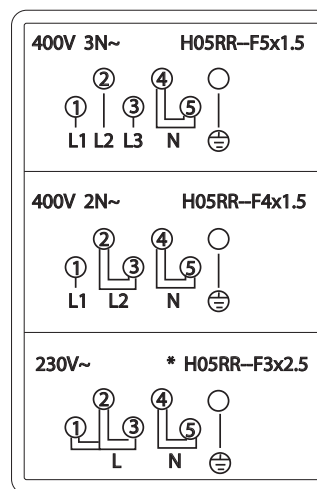
V prípade priameho pripojenia k elektrickej sieti namontujte viacpólový spínač vhodnej veľkosti pre menovitý výkon s voľnou vzdialenosťou, ktorý úplne odpojí elektrické vedenie v podmienkach kategórie prepätia III, v súlade s pravidlami inštalácie (žltý/zelený uzemňovací vodič nesmie byť prerušený).

Zástrčka alebo viacpólový spínač musia byť na inštalovanom zariadení ľahko prístupné.

Výrobcovia odmietajú akúkoľvek zodpovednosť v prípade nedodržania vyššie uvedeného a nerešpektovania a nedodržovania noriem prevencie nehôd.

POZNÁMKA: Presvedčte sa, či sú vlastnosti elektrickej siete v domácnosti (napätie, maximálny výkon a prúd) kompatibilné s vlastnosťami spotrebiča.

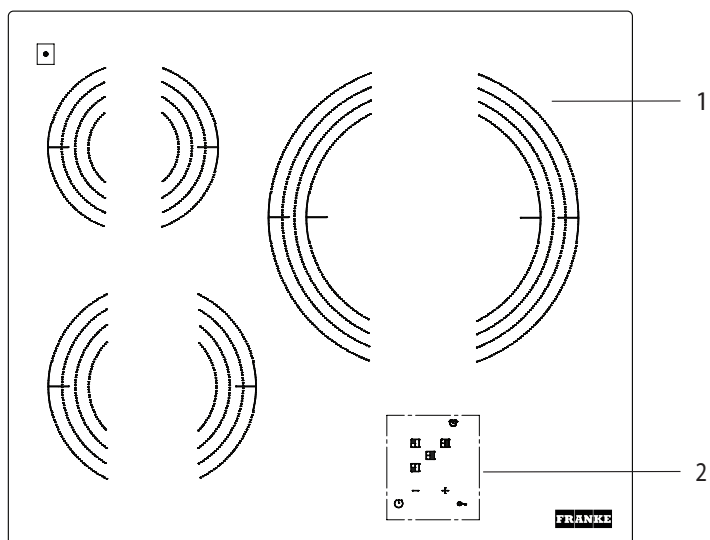
NAPÁJACÍ KÁBEL MUSÍ VYMEŇIŤ IBA KVALIFIKOVANÝ ELEKTRIKÁR.



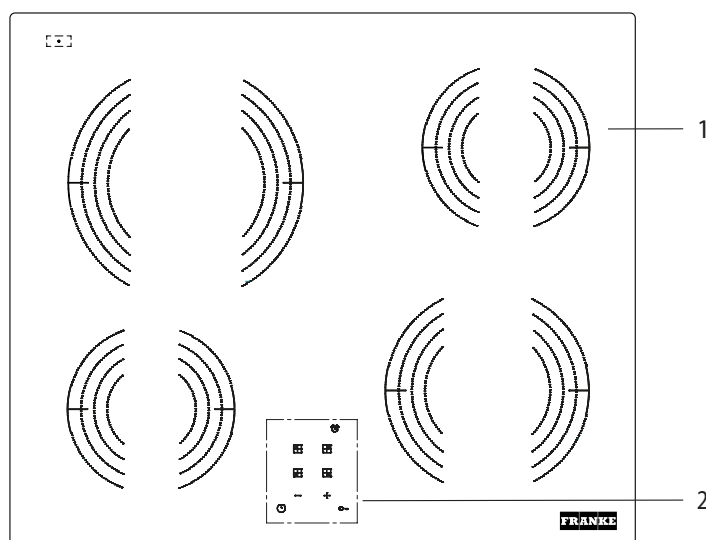
Obr. 3 Zohľadnenie faktora súbežnosti

PREHL'AD

FRSM 603 C TD



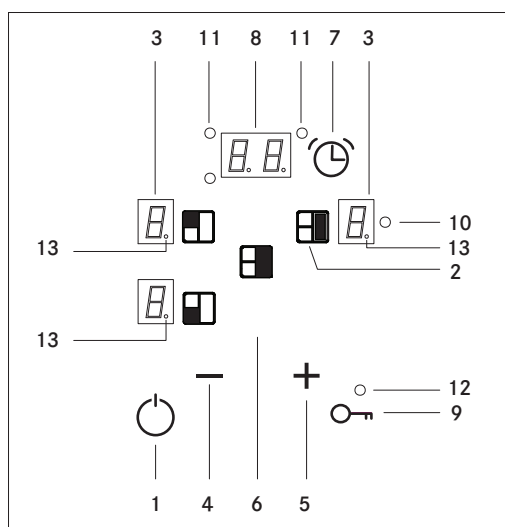
FRSM 604 CT



1. Varná doska
2. Ovládací panel

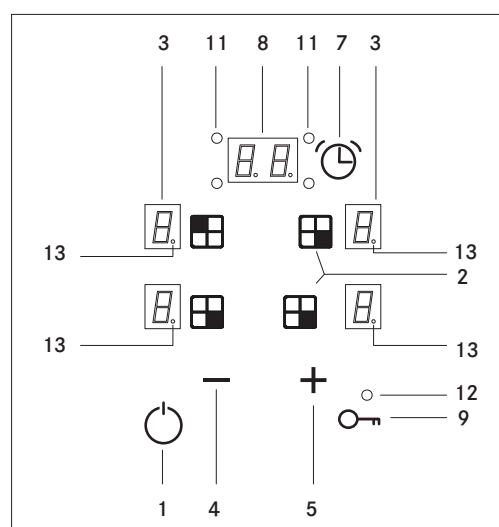
OVLÁDACÍ PANEĽ

FRSM 603 C TD



1. Zapnutie/ vypnutie napájania
2. Varná zóna
3. Nastavovací displej
4. Mínus
5. Plus
6. Duálny obvod len pre FRSM 603 C TD
7. Časovač

FRSM 604 CT



8. Zobrazenie časovača
9. Funkcia uzamknutia
10. Svtelná kontrolka duálneho obvodu
11. Kontrolky časovača
12. Svtelná kontrolka uzamknutia
13. Desatinná bodka

DOTYKOVÉ TLAČIDLÁ

Všetky operácie možno vykonávať pomocou dotykových tlačidiel (optické snímače) umiestnených na prednej strane ovládacieho panela; každé tlačidlo má zodpovedajúci displej.

Každá činnosť sa potvrdí pípnutím.

KAŽDODENNÉ POUŽÍVANIE

DOTYKOVÉ OVLÁDANIE VYHRIEVACÍCH PRVKOV





DOTYKOVÉ OVLÁDANIE	INTENZITA TEPLA
1	veľmi slabá
2-3	slabá
4	mierna
5-6	stredná
7-8	silná
9	jasná

ZAPNUTIE VARNEJ ZÓNY

1. Dotknite sa tlačidla  na 2 sekundy.

Napájanie je zapnuté: kontrolky hladiny napájania (3) ukazujú 0.

2. Ďalšiu operáciu vykonajte do 10 sekúnd, inak sa zariadenie automaticky vypne.

- Stlačte tlačidlo (2) príslušnej varnej zóny. Na príslušnom displeji bude blikať 0, čo znamená, že zóna je zapnutá.
- Zvoľte stupeň napájania (1 až 9) použitím tlačidiel  a  (5/4). Tlačidlá  a  majú aj opakovaciu funkciu, t.j. ich podržaním v stlačenej polohe zvýši alebo zníži nastavenie o jeden stupeň každých 0,3 sekundy.

FUNKCIE

DUÁLNY OBVOD VARNEJ ZÓNY (LEN PRE MODEL FRSM 603 C TD)

Varná zóna môže byť vybavená duálnym obvodom, napr. stredovým diskom a vonkajším prstencom.

Môžete používať buď samotnú stredovú zónu, alebo obe zóny spolu a prispôbiť tak varnú plochu veľkosti panvice.

ZAPNUTIE VARNEJ ZÓNY S DUÁLNYM OBVODOM (LEN PRE MODEL FRSM 603 C TD)

Príslušná zóna musí byť zapnutá.

- Zvoľte požadovanú hladinu výkonu (medzi 1 a 9).
- Druhý okruh zapnete stlačením tlačidla duálneho obvodu (6).

Kontrolka (10) zvolenej zóny sa rozsvieti; druhý obvod sa zapne spolu s prvým.

VYPNUTIE DRUHÉHO OBVODU VARNEJ ZÓNY S DUÁLNYM OBVODOM (LEN PRE MODEL FRSM 603 C TD)

Zóna s duálnym obvodom musí byť zapnutá.

Dotknite sa tlačidla pre duálny obvod (6).

Kontrolka (10) zvolenej zóny zhasne a druhý obvod je vypnutý.

POZNÁMKA: Pri prvom pripojení varnej dosky k napájaniu sa zapne funkcia KeyLock.

Stlačením tlačidla (9) ho deaktivujete a začnete výrobok používať.

V jednom okamihu môže byť zapnutá len jedna varná zóna, takže v jednom okamihu bliká len jedna varná zóna.

VYPNUTIE VARNEJ ZÓNY



Varná zóna musí byť zapnutá.

Znížte silu napájania na 0 stlačením (4).

Varná zóna sa automaticky vypne po uplynutí 10 sekúnd.

RÝCHLE VYPNUTIE

Varná zóna musí byť zapnutá.

Stlačte naraz tlačidlá  a  (5/4) a zóna sa vypne okamžite.

INDIKÁTOR ZVYŠKOVÉHO TEPLA

Kým je varná zóna stále dostatočne horúca na to, aby spôsobila popáleniny, na príslušnom displeji sa zobrazí symbol **H** (zvyškové teplo).

Symbol zmizne, až keď teplota klesne pod 60 °C a už nehrozí nebezpečenstvo popálenia.

Pokiaľ je teplota nižšia ako 60 °C, na displeji sa zobrazuje 0 a na **H** sa prepne až vtedy, keď teplota stúpne nad 60 °C.

- Pred ukončením varenia vypnite varnú zónu, aby ste využili zvyškové teplo na úsporu energie.

Indikátor zvyškového tepla **H** zhasne, ak dôjde k prerušeniu napájania.

Spotrebič môžete kedykoľvek vypnúť stlačením tlačidla napájania (1).

FUNKCIA UZAMKNUTIA SPOTREBIČA

Stlačením tlačidla zámku (9) môžete celý spotrebič zablokovať, aby ste zabránili jeho neúmyselnému ovládaniu. Táto funkcia slúži aj ako bezpečnostná detská zámka.


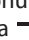
Ak sa funkcia uzamknutia nedeaktivuje pred vypnutím spotrebiča, bude aktívna aj pri ďalšom zapnutí spotrebiča.

Ak je aktivovaná funkcia uzamknutia, ovládanie tlačidiel nemá žiadny účinok.

AUTOMATICKÉ BEZPEČNOSTNÉ VYPNUTIE

Ak sa jedna alebo viac varných zón neúmyselne ponechá zapnutých, ovládanie ich po určitom čase automaticky vypne alebo zníži ich výkon.

V prípade automatického bezpečnostného vypnutia sa na displeji zobrazí blikajúci symbol **H** alebo **Fc**.

Ak chcete zabrániť automatickému vypnutiu, jednoducho sa dotknite tlačidla výberu zóny alebo tlačidiel  a  pred uplynutím časového limitu.

AUTOMATICKÝ PREDOHREV

Táto funkcia zjednodušuje proces varenia, pretože nie je potrebný ľudský zásah.

Varná zóna sa najprv predhreje na maximálny výkon, aby sa rýchlo dosiahla teplota varenia, potom sa výkon automaticky zníži na nastavenú úroveň (Tab. 1).

ÚROVEŇ VÝKONU	FUNKCIA AUTOMATICKÉHO PREDOHREUV
1	1' 11"
2	2' 44"
3	4' 47"
4	5' 28"
5	6' 29"
6	1' 11"
7	2' 44"
8	2' 44"
9	-

AKTIVUJTE FUNKCIU AUTOMATICKÉHO PREDOHREUV

- Zvoľte varnú zónu stlačením tlačidla (2).
- Zvoľte požadovanú hladinu výkonu 9 tlačidlom **—**. Zvoľte požadovanú hladinu výkonu 9 a desatinnej bodky tlačidlom **+**.
- Zvoľte požadovanú hladinu výkonu, napr. 6, tlačidlom **—**.
- V režime automatického predhrievania sa na displeji varnej zóny striedavo zobrazuje nastavená úroveň (6) s desatinnou bodkou (13).

ZMENA NASTAVENIA HLADINY VÝKONU PO ČAS AUTOMATICKÉHO PREDOHREUV

Príslušná varná zóna musí byť zapnutá.

Desatinná bodka (13) na príslušnom displeji sa musí rozsvietiť.

Hodnota ohrevu sa môže zvyšovať iba tlačidlom **+**.

Ak sa úroveň zvýši, nový čas predohrevu sa vypočíta s ohľadom na čas, ktorý uplynul od predchádzajúceho nastavenia.

Príklad: Úroveň 1 je prvá zvolená úroveň, ktorá zodpovedá času predhrievania 1"11".

Po 30" sa úroveň výkonu zvýši na 4, čo si vyžaduje čas predhrievania 5"28".

Po zmene úrovne bude automatické predhrievanie trvať ešte 4"58" (5"28" - 30 = 4"58").

DEAKTIVUJTE FUNKCIU AUTOMATICKÉHO PREDOHREUV

Príslušná zóna musí byť zapnutá.

Desatinná bodka (13) na príslušnom displeji musí svietiť.

- Stlačte tlačidlo **—** (4) po aktivovaní funkcie na aspoň 10 sekúnd.

FUNKCIA ČASOVAČA

Vďaka tejto automatickej funkcii nie je potrebný ľudský zásah počas celého cyklu varenia.

Varná zóna sa po uplynutí nastaveného času automaticky vypne.

AKTIVOVANIE FUNKCIE ČASOVAČA

Programovaná zóna musí byť zapnutá.

- Zvoľte hladinu výkonu medzi 1 a 9.
- Stlačte tlačidlo časovača (7) na časovači sa zobrazí 00.
- Pomocou tlačidiel **+** a **—** (5 a 4) vyberte čas varenia (od 0 do 99 minút). Funkcia časovača sa aktivuje automaticky za pár sekúnd.

Rozsvieti sa kontrolka (11) pre príslušnú programovanú zónu.

- Čas varenia rýchlo nastavíte, keď podržíte stlačené tlačidlá **+** a **—**.

Funkcia časovača sa používa na všetky varné zóny.

ZMENA PREDTÝM NASTAVENÉHO ČASU VARENIA

Naprogramovaný čas varenia môžete kedykoľvek zmeniť.

Príslušná zóna musí byť zapnutá.

Príslušný displej bliká spolu s LED diódou zodpovedajúcou časovaču zóny (11).

- Stlačte tlačidlo časovača (7).
- Pomocou tlačidiel **+** a **—** (5 a 4) nastavte nový čas varenia.
- Čas varenia rýchlo nastavíte, keď podržíte stlačené tlačidlá **+** alebo **—**.

VYPNUTIE FUNKCIE ČASOVAČA

Po uplynutí nastaveného času varenia zaznie na 2 minúty akustický signál. Signál prerušíte stlačením ktoréhokoľvek tlačidla.

Teraz je varná zóna vypnutá.

Ak chcete časovač prerušiť pred uplynutím naprogramovaného časového úseku, musí byť príslušná zóna zapnutá.

- Stlačte tlačidlo časovača (7).
- Čas vynulujete stlačením **—** (4).

Časovač je teraz deaktivovaný, ale varná zóna zostane zapnutá, kým ju manuálne nevypnete.

RÝCHLE VYPNUTIE

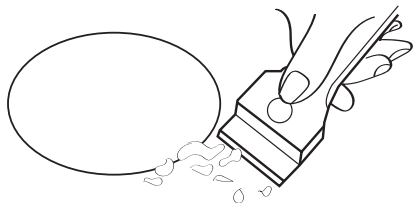
1. Príslušná zóna musí byť zapnutá.
2. Stlačte naraz tlačidlá **+** a **—** (5 a 4); zóna sa vypne okamžite. Deaktivuje sa aj funkcia časovača.

ČISTENIE A ÚDRŽBA

Najskôr odstráňte z varnej plochy rozptýlené kúsky jedla a kvapky tuku pomocou špeciálnej škrabky (obr. 4).

Potom vyčistíte pomocou špecifických prípravkov na sklokeramické varné plochy papierovou utierkou, potom opláchnite vodou a osušte čistou handričkou.

Kúsky hliníkovej fólie a plastového materiálu, ktoré sa neúmyselne roztavili, alebo zvyšky cukru či potravín s vysokým obsahom cukru sa musia okamžite odstrániť z horúceho varného priestoru pomocou špeciálnej škrabky (obr. 4).



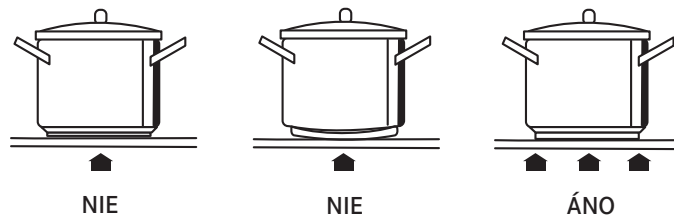
Obr. 4

Je to preto, aby sa predišlo prípadnému poškodeniu povrchu dosky.

V žiadnom prípade nepoužívajte abrazívne špongie ani dráždivé chemické čistiace prostriedky, napríklad odstraňovače škvŕn.

NEPOUŽÍVAJTE PARNÉ ČISTIČE.

Pri použití vykurovacích telies odporúčame nádoby s plochým dnom (obr. 5) s rovnakým alebo mierne vyšším priemerom ako je priemer horúcej plochy.



Obr. 5

- Zabráňte pretečeniu kvapaliny, preto v prípade varu alebo v každom prípade, keď sa kvapalina zahrieva, znížte prívod tepla.
- Nenechávajte zapnuté vykurovacie telesá bez nádob na vrchu alebo s prázdnyimi hrncami a panvicami.

Ak sa na varnej ploche objaví čo i len malá prasklina, okamžite odpojte napájanie, aby ste zabránili možnosti úrazu elektrickým prúdom.

TECHNICKÉ ÚDAJE

VYHRIEVACIE PRVKY	MENOVITÝ PRÍKON
jednookruhový žiarič Ø 210 (FRSM 604 C T)	2100 W
jednookruhový žiarič Ø 140 (FRSM 603 C TD / 2 x FRSM 604 C T)	1200 W
jednookruhový žiarič Ø 180 (FRSM 603 C T)	1700 W
jednookruhový žiarič Ø 180 (FRSM 604 C T)	1700 W
dvojokruhový žiarič Ø 210/270 (FRSM 603 C TD)	1500/2400 W

PODPORA

V prípade akýchkoľvek prevádzkových problémov sa obráťte na technické servisné stredisko spoločnosti Franke.

Nikdy nevyužívajte služby neoprávnených technikov.

Pri oslovení zákazníckeho servisu poskytnite nasledujúce informácie:

- typ poruchy
- model spotrebiča (Art. - Výr.)
- sériové číslo (S.N.)

Tieto informácie sú uvedené na údajovom štítku. Údajový štítok je pripevnený na dolnej strane.

Ak ste ešte v záručnej dobe, musíte mať aj doklad o kúpe.



WWW.FRANKE.COM

© Franke Technology and Trademark Ltd., Switzerland

СОДЕРЖАНИЕ

ИНФОРМАЦИЯ ПО ТЕХНИКЕ БЕЗОПАСНОСТИ	94
УСТАНОВКА.....	96
ЭЛЕКТРИЧЕСКОЕ СОЕДИНЕНИЕ.....	96
ОБЗОР	97
ПОВСЕДНЕВНОЕ ИСПОЛЬЗОВАНИЕ	98
ФУНКЦИИ	99
ОЧИСТКА И ТЕХНИЧЕСКОЕ ОБСЛУЖИВАНИЕ	100
ТЕХНИЧЕСКИЕ ДАННЫЕ	101
ТЕХНИЧЕСКАЯ ПОДДЕРЖКА	101

Перед первым использованием изделия ознакомьтесь с руководством по эксплуатации.


Производитель не несет ответственности за возможные повреждения, которые могут возникнуть в результате неправильной установки, а также ненадлежащего или нерационального использования устройства.

Чтобы обеспечить безопасную и эффективную работу этого электрического прибора:

Обращайтесь только в авторизованные сервисные центры.

Не изменяйте функции прибора.


Данный прибор не предназначен для использования лицами (включая детей) с ограниченными физическими, сенсорными или умственными способностями, а также недостатком опыта или знаний, если они не были проинструктированы по вопросам эксплуатации прибора или не находятся под присмотром лица, ответственного за их безопасность.

 Использование прибора лицами с ограниченными физическими, сенсорными или умственными способностями, детьми до 8 лет, а также лицами, не имеющими достаточных знаний и опыта для эксплуатации прибора, допускается исключительно под присмотром или после инструктажа по безопасному использованию прибора при условии, что они осознают все связанные с этим опасности.


Не позволяйте детям играть с прибором.


Детям можно выполнять очистку и обслуживание прибора только под присмотром!


Не разрешайте маленьким детям играть с прибором.

 Должна быть предусмотрена возможность отключения прибора от электросети путем вынимания вилки из розетки, если она


расположена в доступном месте, или с помощью многополюсного выключателя, установленного перед розеткой в соответствии с правилами электромонтажа, при этом прибор должен быть заземлен в соответствии с требованиями стандартов электробезопасности.

 Запрещается использовать удлинители, комбинированные розетки или адаптеры. После установки прибора электрические компоненты не должны оставаться в зоне доступа пользователя. Запрещается пользоваться прибором, касаясь его мокрыми руками или стоя босиком. Запрещается использовать этот прибор, если у него поврежден кабель питания или вилка, если прибор не работает должным образом, если он был поврежден или ронялся.

 Во избежание рисков, замену кабеля питания на аналогичный в случае его повреждения должен осуществлять производитель, его сервисный представитель или иной квалифицированный специалист.

 **ПРЕДУПРЕЖДЕНИЕ:** Во время работы прибор и его доступные детали сильно нагреваются. Следует соблюдать осторожность во избежание контакта с нагревательными элементами.

• Дети в возрасте младше 8 лет должны находиться на безопасном расстоянии, если они не находятся под постоянным присмотром.

 **ПРЕДУПРЕЖДЕНИЕ:** Крайне опасно оставлять на варочной поверхности без присмотра готовиться блюда, содержащие жир или масло. Это может привести к пожару!

- НИКОГДА не пытайтесь тушить огонь водой, выключите прибор, а затем накройте пламя, например, крышкой или огнеупорным одеялом.



ПРЕДУПРЕЖДЕНИЕ: Опасность возгорания: не храните предметы на варочной поверхности.



Если поверхность имеет трещины, выключите прибор, чтобы избежать удара током.



ПРЕДУПРЕЖДЕНИЕ: Перед выполнением любых действий по техническому обслуживанию убедитесь, что прибор выключен и отсоединен от электросети.



Опасность поражения электрическим током!

Запрещается использовать оборудование для очистки паром.

Не применяйте абразивные или коррозионные средства, чистящие средства на основе хлора или чистящие средства для сковородок. Не кладите на варочную поверхность такие металлические предметы, как ножи, вилки, ложки и крышки, поскольку они могут сильно нагреваться.



ПРЕДОСТЕРЕЖЕНИЕ: прибор не предназначен для управления с помощью внешнего устройства выключения, например, таймера, или отдельной системы дистанционного управления.

- Опасность возгорания: не храните предметы на варочной поверхности.




ПРЕДОСТЕРЕЖЕНИЕ: Обязательно следите за процессом готовки. Если приготовление блюда не занимает много времени, непрерывно следите за процессом готовки.

УТИЛИЗАЦИЯ БЫТОВОЙ ТЕХНИКИ

Этот прибор изготовлен из материалов, подлежащих переработке или повторному использованию. Утилизируйте его в соответствии с местными правилами утилизации отходов. Для получения дополнительной информации об обработке, восстановлении и переработке бытовых электроприборов обратитесь в местные органы власти, в службу сбора бытовых отходов или в магазин, где вы приобрели электроприбор. Этот прибор имеет маркировку в соответствии с Европейской директивой 2012/19/ЕС об утилизации электрического и электронного оборудования (WEEE).

Обеспечив правильную утилизацию данного изделия, вы можете предотвратить негативные последствия для окружающей среды и здоровья человека.

Символ  на изделии или сопроводительной документации указывает на то, что изделие нельзя утилизировать вместе с бытовыми отходами, а необходимо сдать его в соответствующий центр сбора для переработки электрического и электронного оборудования.

УТИЛИЗАЦИЯ УПАКОВОЧНЫХ МАТЕРИАЛОВ

Различные части упаковки следует утилизировать ответственно и в полном соответствии с местными нормативными актами, регулирующими утилизацию отходов.

СОВЕТЫ ПО ЭНЕРГОСБЕРЕЖЕНИЮ

Для того чтобы максимально использовать остаточное тепло плиты, выключайте ее за несколько минут до окончания приготовления пищи.

Дно вашей кастрюли или сковороды должно полностью покрывать поверхность конфорки;

Использование емкости меньшего размера, чем площадь конфорки, приведет к потере энергии.

Во время приготовления пищи накрывайте кастрюли и сковороды плотно прилегающими крышками и используйте как можно меньше воды. Приготовление пищи со снятой крышкой значительно увеличивает расход энергии.

УСТАНОВКА

Все операции по установке (электрическому подключению) должны выполняться квалифицированным персоналом в соответствии с действующими правилами.

Не смотрите на галогенную лампу.

Данная инструкция предназначена для квалифицированного технического персонала в качестве руководства по установке, настройке и техническому обслуживанию в соответствии с действующими законами и стандартами. Любая из этих операций всегда должна выполняться при отключенном от электросети приборе.

Прибор не предназначен для использования с внешним таймером или с отдельной системой дистанционного управления.

РАЗМЕЩЕНИЕ ПРИБОРА

Прибор может быть установлен в рабочей зоне, как показано на рисунке (рис. 1а и рис. 1б). Нанесите герметик из комплекта поставки по всему периметру рабочей зоны.

FRSM 603 C TD BK / FRSM 604 C T BK

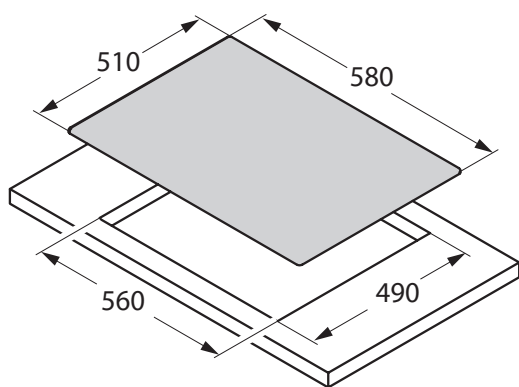


Рис. 1а

FRSM 604 C T XS

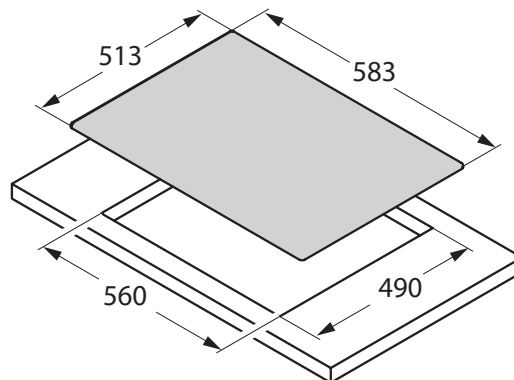


Рис. 1б

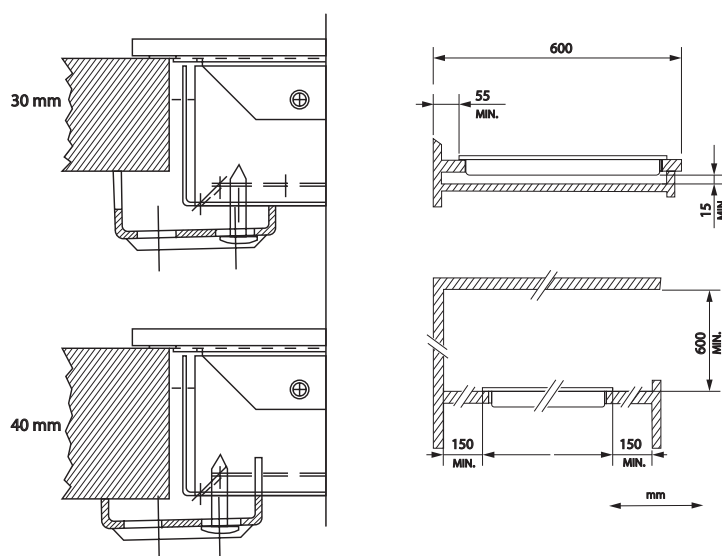


Рис. 2

ЭЛЕКТРИЧЕСКОЕ СОЕДИНЕНИЕ

Перед выполнением электрического подключения следует убедиться, что:

- настройки прибора соответствуют указанным на матричной табличке, размещенной в нижней части рабочей зоны;
- что прибор оснащен эффективным заземлением в соответствии с действующими стандартами и законами.

Заземление является обязательным в соответствии с законодательством. Если на приборе нет кабеля и/или штекера, используйте подходящий для рабочей температуры поглощающий материал, указанный на матричной табличке. Ни при каких обстоятельствах температура кабеля не должна превышать 50°C от температуры окружающей среды.

При подключении непосредственно к электросети установите многополюсный выключатель подходящего размера для номинальной мощности с расстоянием между контактами, которое полностью отключает линию электропитания в условиях

перенапряжения категории III, в соответствии с правилами монтажа (желтый/зеленый провод заземления не должен разрываться).

Штекер или многополюсный переключатель должен быть легко доступен на установленном оборудовании.

Производитель снимает с себя всякую ответственность в случае несоблюдения описанных выше правил и несоблюдения норм по предотвращению несчастных случаев.

Примечание. Убедитесь, что характеристики бытовой электросети (напряжение, максимальная мощность и ток) соответствуют характеристикам прибора.

ЗАМЕНА КАБЕЛЯ ПИТАНИЯ ДОЛЖНА ПРОИЗВОДИТЬСЯ ТОЛЬКО КВАЛИФИЦИРОВАННЫМ ЭЛЕКТРИКОМ.

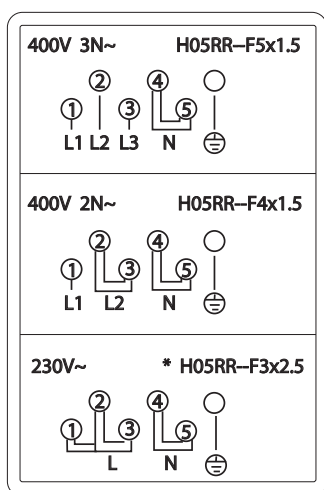
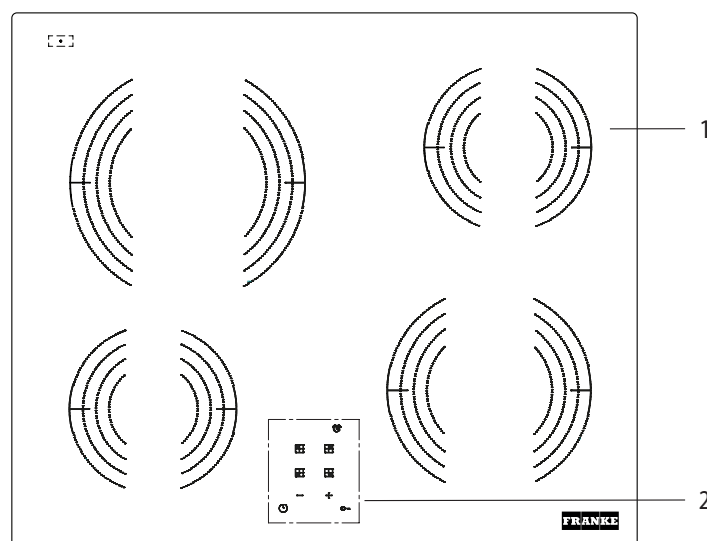
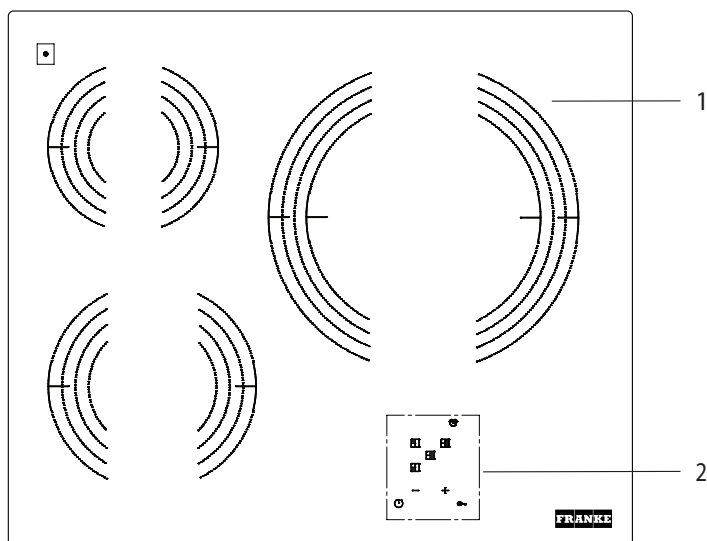


Рис. 3 Учет фактора одновременности действий

ОБЗОР

FRSM 603 C TD

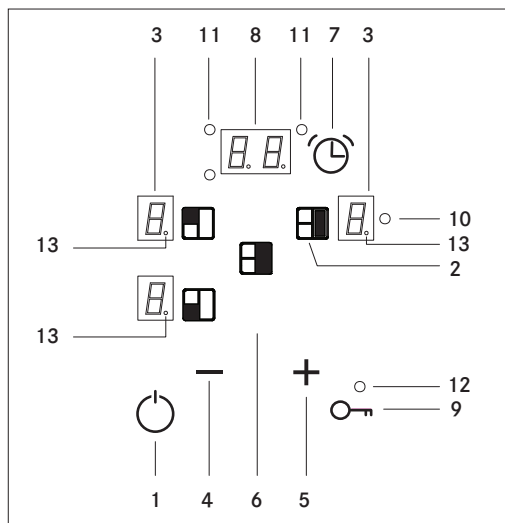
FRSM 604 C T



- 1. Варочная панель
- 2. Панель управления

ПАНЕЛЬ УПРАВЛЕНИЯ

FRSM 603 C TD



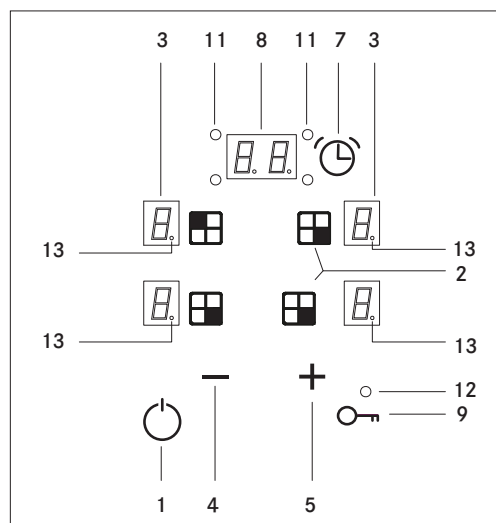
1. Включение/отключение питания
2. Зона варки
3. Дисплей для настройки
4. Минус
5. Плюс
6. Двойной контур (только для FRSM 603 C TD)
7. Таймер

СЕНСОРНЫЕ КНОПКИ

Все действия можно выполнять с помощью сенсорных кнопок (оптических датчиков), расположенных на лицевой стороне панели управления; на каждой кнопке изображен соответствующий символ.

Каждое действие подтверждается звуковым сигналом.

FRSM 604 C T



8. Дисплей таймера
9. Функция блокировки
10. Световой индикатор двойного контура
11. Световые индикаторы таймера
12. Световой индикатор блокировки
13. Десятичная точка

ПРИМЕЧАНИЕ. При первом подключении варочной панели к источнику питания будет активирована функция блокировки клавиатуры.


Нажмите кнопку (9), чтобы деактивировать функцию и начать использовать устройство.

ПОВСЕДНЕВНОЕ ИСПОЛЬЗОВАНИЕ

СЕНСОРНОЕ УПРАВЛЕНИЕ НАГРЕВАТЕЛЬНЫМИ ЭЛЕМЕНТАМИ

СЕНСОРНОЕ УПРАВЛЕНИЕ	ИНТЕНСИВНОСТЬ НАГРЕВА
1	низкая
2-3	щадящая
4	слабая
5-6	средняя
7-8	высокая
9	со свечением

ВКЛЮЧЕНИЕ ЗОНЫ ВАРКИ

1. Коснитесь сенсорной кнопки  на 2 секунды.

Панель управления включится: индикаторы уровня мощности (3) покажут 0.

2. Выполните следующее действие в течение 10 секунд, в противном случае устройство автоматически выключится.

- Нажмите кнопку (2), соответствующую зоне варки. На соответствующем дисплее начнет мигать 0, указывая на то, что зона включена.
- Установите уровень мощности (от 1 до 9) с помощью кнопок **+** и **-** (5/4). Кнопки **+** и **-** имеют функцию повторения, т.е. при удерживании этих клавиш будет происходить увеличение или уменьшение значения настройки на единицу каждые 0,3 секунды.

В каждый отдельный момент времени может быть включена только одна зона варки, поэтому в конкретный момент времени мигает только одна варочная поверхность.

ВЫКЛЮЧЕНИЕ ЗОНЫ ВАРКИ

Зона варки должна быть включена.

Уменьшите уровень мощности до 0, нажав кнопку (4).

Через 10 секунд зона варки автоматически отключится.

БЫСТРОЕ ВЫКЛЮЧЕНИЕ

Зона варки должна быть включена.

Одновременно нажмите кнопки **+** и **—** (5/4), и зона варки будет сразу же отключена.

ИНДИКАТОРЫ ОСТАТОЧНОГО ТЕПЛА

Пока зона варки еще достаточно горячая и способна вызвать ожоги, на соответствующем дисплее отображается символ **H** (остаточное тепло).

Символ пропадает только тогда, когда температура падает ниже 60°C и исчезает риск ожога.

ФУНКЦИИ

ДВУХКОНТУРНАЯ ЗОНА ВАРКИ (ТОЛЬКО МОДЕЛЬ FRSM 603 C TD)

Зона варки может быть двухконтурной, т.е. центральный диск и внешнее кольцо.

Вы можете использовать либо только центральную зону, либо обе зоны вместе и, таким образом, адаптировать зону варки к размеру кастрюли.

ВКЛЮЧЕНИЕ ДВУХКОНТУРНОЙ ЗОНЫ ВАРКИ (ТОЛЬКО МОДЕЛЬ FRSM 603 C TD)

Соответствующая зона должна быть включена.

- Выберите необходимый уровень мощности (от 1 до 9).
- Включите второй контур, нажав кнопку двойного контура (6).

Загорится световой индикатор (10) выбранной зоны. При этом второй контур включится вместе с первым.

ВЫКЛЮЧЕНИЕ ВТОРОГО КОНТУРА ДВУХКОНТУРНОЙ ЗОНЫ ВАРКИ (ТОЛЬКО МОДЕЛЬ FRSM 603 C TD)

Двухконтурная зона варки должна быть включена.

Коснитесь кнопки двойного контура (6).

Световой индикатор (10) погаснет, а второй контур отключится.

ФУНКЦИЯ БЛОКИРОВКИ ПРИБОРА

Весь прибор можно заблокировать, чтобы предотвратить его непреднамеренное включение, нажав кнопку блокировки (9). Это также является функцией защиты от детей.

Если функция блокировки не отключена до выключения прибора, она останется активной после его следующего включения.

Пока функция блокировки активирована, кнопки не работают.

АВТОМАТИЧЕСКОЕ ЗАЩИТНОЕ ВЫКЛЮЧЕНИЕ

Если одна или несколько зон варки случайно остаются включенными, система управления автоматически выключает их или снижает их мощность по истечении определенного периода времени.

В случае автоматического защитного отключения на дисплее отображается мигающий символ **H** или **Fc**.

Чтобы предотвратить автоматическое отключение, просто коснитесь кнопки выбора поверхности или кнопок **+** и **—** до истечения установленного времени.

АВТОМАТИЧЕСКИЙ ПРЕДВАРИТЕЛЬНЫЙ НАГРЕВ

Эта функция упрощает процесс приготовления, так как исключает необходимость вмешательства человека.

На дисплее отображается цифра 0, пока температура остается ниже 60°C. Когда температура поднимается выше 60°C, на дисплее появляется буква **H**.

- Выключите зону варки до завершения приготовления, чтобы использовать остаточное тепло для экономии энергии.

Индикатор остаточного тепла **H** гаснет при отключении электропитания.

Прибор можно выключить в любой момент, нажав кнопку питания (1).

Зона варки сначала предварительно нагревается на максимальной мощности, чтобы быстро довести ее температуру до температуры приготовления, после чего мощность автоматически снижается до заданного уровня (таблица 1).

УРОВЕНЬ МОЩНОСТИ	ФУНКЦИЯ АВТОМАТИЧЕСКОГО ПРЕДВАРИТЕЛЬНОГО НАГРЕВА
1	1 минута 11 секунд
2	2 минуты 44 секунды
3	4 минуты 47 секунд
4	5 минут 28 секунд
5	6 минут 29 секунд
6	1 минута 11 секунд
7	2 минуты 44 секунды
8	2 минуты 44 секунды
9	-

АКТИВАЦИЯ ФУНКЦИИ АВТОМАТИЧЕСКОГО ПРЕДВАРИТЕЛЬНОГО НАГРЕВА

- Выберите зону варки путем нажатия кнопки (2).
- Выберите уровень мощности 9 с помощью кнопки **—**. После этого выберите уровень 9 с десятичной точкой с помощью кнопки **+**.
- Выберите необходимый уровень мощности, например 6, с помощью кнопки **—**.
- В режиме автоматического предварительного нагрева на дисплее зоны варки будет попеременно отображаться установленный уровень (6) с десятичной точкой (13).

ИЗМЕНЕНИЕ НАСТРОЙКИ УРОВНЯ МОЩНОСТИ ВО ВРЕМЯ АВТОМАТИЧЕСКОГО ПРЕДВАРИТЕЛЬНОГО НАГРЕВА

Соответствующая зона варки должна быть включена.

На соответствующем дисплее должна отображаться десятичная точка (13).

Нагрев можно увеличить с помощью кнопки **+**.

После увеличения степени нагрева новое время предварительного нагрева будет рассчитано с учетом времени, прошедшего с момента задания предыдущего значения.

Пример: первым выбирается уровень 1, что соответствует времени предварительного нагрева 1 минута 11 секунд.

Через 30 секунд уровень мощности увеличивается до 4, для чего используется время предварительного нагрева 5 минут 28 секунд.

После изменения уровня время автоматического нагрева увеличится еще на 4 минуты 58 секунд (5 минут 28 секунд - 30 секунд = 4 минуты 58 секунд).

ОТКЛЮЧЕНИЕ ФУНКЦИИ АВТОМАТИЧЕСКОГО ПРЕДВАРИТЕЛЬНОГО НАГРЕВА

Соответствующая зона должна быть включена.

На соответствующем дисплее должна отображаться десятичная точка (13).

- Нажмите **—** (4) после того, как функция уже будет активной в течении по крайней мере 10 секунд.

ФУНКЦИЯ ТАЙМЕРА

Эта автоматическая функция также устраняет необходимость вмешательства человека в течение всего цикла приготовления.

По истечении заданного периода времени зона варки автоматически отключается.

АКТИВАЦИЯ ФУНКЦИИ ТАЙМЕРА

Программируемая поверхность должна быть включена.

- Выберите уровень от 1 до 9.
- Нажмите кнопку таймера (7). На дисплее таймера появятся цифры 00.
- Выберите время приготовления (от 0 до 99 минут) с помощью кнопок **+** и **—** (5 и 4). Функция таймера автоматически активируется через несколько секунд.

Загорится световой индикатор (11), соответствующий программируемой поверхности.

- Удерживайте нажатыми кнопку **+** или **—**, чтобы быстро задать время приготовления.

Функция таймера применяется ко всем варочным поверхностям.

ИЗМЕНЕНИЕ РАНЕЕ ЗАДАННОГО ВРЕМЕНИ ПРИГОТОВЛЕНИЯ

Заданное время приготовления можно изменить в любой момент.

Соответствующая зона должна быть включена.

Соответствующий дисплей мигает вместе с СИД-таймера поверхности (11).

- Нажмите кнопку таймера (7).
- Задайте новое время приготовления с помощью кнопок **+** и **—** (5 и 4).
- Для быстрого изменения времени приготовления удерживайте нажатой кнопку **+** или **—**.

ВЫКЛЮЧЕНИЕ ФУНКЦИИ ТАЙМЕРА

После истечения времени приготовления в течение 2 минут подается звуковой сигнал. Для отключения этого сигнала просто нажмите любую кнопку.

После этого зона варки отключается.

Если вы хотите прервать таймер до истечения заданного периода времени, должна быть включена соответствующая зона.

- Нажмите кнопку таймера (7).
- Обнулите время путем нажатия кнопки **—** (4).

После этого таймер выключается, но зона варки будет оставаться включенной до тех пор, пока не будет отключена вручную.

БЫСТРОЕ ВЫКЛЮЧЕНИЕ

1. Соответствующая зона должна быть включена.
2. Одновременно нажмите кнопки **+** и **—** (5 и 4), и зона варки сразу же выключится. Таймер также отключится.

ОЧИСТКА И ТЕХНИЧЕСКОЕ ОБСЛУЖИВАНИЕ

Сначала удалите с варочной поверхности остатки пищи и следы жира с помощью специального скребка (рис. 4).

Затем очистите специальными средствами для стеклокерамических варочных поверхностей и бумажным полотенцем, затем ополосните водой и вытрите насухо чистой тканью.

Пригоревшие кусочки алюминиевой фольги и пластика, а также остатки сахара или высокосахаристых продуктов необходимо немедленно удалить с горячей варочной поверхности специальным скребком (рис. 4).

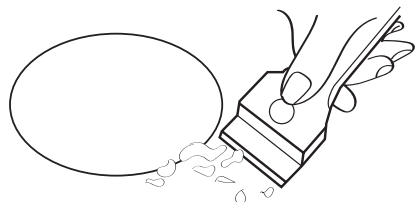


Рис. 4

Это необходимо для того, чтобы избежать возможного повреждения покрытия.

Ни в коем случае не используйте абразивные губки или агрессивные химические моющие средства, например, пятновыводители.

НЕ ИСПОЛЬЗУЙТЕ ПАРООЧИСТИТЕЛИ.

При использовании нагревательных элементов рекомендуется использовать емкости с плоским дном (рис. 5), диаметр которых равен или немного больше диаметра нагревательной зоны.

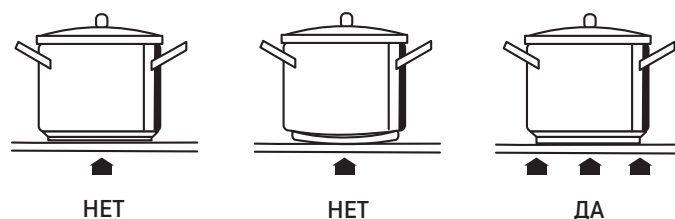


Рис. 5

- Избегайте перелива жидкости, поэтому при закипании или при нагревании жидкости уменьшите подачу тепла.
- Не оставляйте нагревательные элементы включенными без емкостей на них или с пустыми кастрюлями и сковородками.

Если на варочной поверхности есть даже небольшая трещина, немедленно отключите электропитание, чтобы избежать возможности удара электрическим током.

ТЕХНИЧЕСКИЕ ДАННЫЕ

НАГРЕВАТЕЛЬНЫЕ ЭЛЕМЕНТЫ	НОМИНАЛЬНАЯ МОЩНОСТЬ
одноконтурная конфорка Ø 210 (FRSM 604 C T)	2100 Вт
одноконтурная конфорка Ø 140 (FRSM 603 C TD / 2 x FRSM 604 C T)	1200 Вт
одноконтурная конфорка Ø 180 (FRSM 603 C TD)	1700 Вт
одноконтурная конфорка Ø 180 (FRSM 604 C T)	1700 Вт
двухконтурная конфорка Ø 210/270 (FRSM 603 C TD)	1500/2400 Вт

ТЕХНИЧЕСКАЯ ПОДДЕРЖКА

При возникновении проблем при эксплуатации устройства обратитесь в центр технического обслуживания Franke.

Никогда не пользуйтесь услугами неавторизованных технических специалистов.

Обращаясь в центр обслуживания клиентов, предоставьте следующую информацию:

- тип неполадки;
- модель прибора (артикул — Art.);
- серийный номер (S.N.).

Эта информация приведена на табличке технических данных. Указанная табличка прикреплена с нижней стороны.

Вы также должны иметь документ, подтверждающий покупку, если гарантийный срок еще не истек.

ЗМІСТ

ІНФОРМАЦІЯ ЩОДО ТЕХНІКИ БЕЗПЕКИ	104
УСТАНОВЛЕННЯ	105
ПІДКЛЮЧЕННЯ ДО ЕЛЕКТРОМЕРЕЖІ.....	106
ОГЛЯД	107
ЩОДЕННЕ ВИКОРИСТАННЯ	108
ФУНКЦІЇ	108
ЧИЩЕННЯ ТА ОБСЛУГОВУВАННЯ.....	110
ТЕХНІЧНІ ДАНІ.....	110
ПІДТРИМКА	110

Перед першим використанням виробу обов'язково ознайомтеся з цим посібником з експлуатації.


Виробник не несе відповідальності за пошкодження, що можуть статися внаслідок неправильного встановлення та неправильного, неналежного чи нерозсудливого користування приладом.

Для безпечної та ефективної експлуатації цього електричного приладу дотримуйтеся таких правил:

Звертайтеся лише до вповноважених сервісних центрів.

Не змінюйте функції та характеристики приладу.


Заборонено використовувати прилад особам (включаючи дітей) зі зниженими фізичними, сенсорними чи розумовими здібностями або з відсутністю досвіду та знань, якщо вони не мають нагляду або не пройшли інструктаж.

 Використання цього приладу дітьми у віці від 8 років та особами з обмеженими фізичними, сенсорними чи розумовими здібностями, а також особами, що не мають належних знань і досвіду для експлуатації виробу, допускається виключно під наглядом або у випадку надання вказівок з експлуатації приладу з дотриманням заходів безпеки. Водночас слід переконатися, що зазначені особи усвідомлюють небезпеку, пов'язану з неправильним використанням приладу.


Дітям гратися з приладом заборонено!


Не дозволяйте дітям проводити чищення та обслуговування приладу без нагляду дорослих.


Доглядайте за дітьми, не дозволяючи їм гратися з приладом.

 Обов'язково слід передбачити можливість від'єднати прилад від джерела живлення, від'єднавши його за допомогою наявного штепселя, або за допомогою багатополюсного


вимикача, встановленого перед розеткою відповідно до правил електропроводки; прилад повинен бути заземлений відповідно до вимог національних стандартів з електробезпеки.

 Не використовуйте подовжувачі, розгалужувачі або перехідники. Електричні компоненти не повинні бути доступні для користувача після встановлення. Не користуйтеся приладом босоніж або мокрими руками. Не використовуйте цей прилад, якщо у нього пошкоджений кабель живлення або штекер, якщо він не працює належним чином, або якщо він був пошкоджений чи впав.


 Якщо шнур живлення пошкоджено, виробник, сервісний агент або кваліфіковані особи мають замінити його на ідентичний, щоб уникнути небезпеки – ризику ураження електричним струмом.


 **ПОПЕРЕДЖЕННЯ!** Під час використання прилад і його доступні частини нагріваються. Будьте обережні й не торкайтеся нагрівальних елементів.

• Діти у віці менше 8 років можуть перебувати поруч із приладом лише під постійним наглядом.

 **ПОПЕРЕДЖЕННЯ!** Приготування на варильній поверхні страв із жиром або олією без нагляду може бути небезпечним. Це може призвести до пожежі!

• **НІКОЛИ** не намагайтеся загасити вогонь водою, замість цього вимкніть прилад, а потім накрийте вогонь, наприклад, кришкою або протипожежною ковдрою.

 **ПОПЕРЕДЖЕННЯ!** Небезпека пожежі! Не зберігайте жодні предмети на варильній поверхні.

 Якщо на поверхні є тріщини, вимкніть прилад, щоб уникнути ураження електричним струмом.

! **ПОПЕРЕДЖЕННЯ!** Перед виконанням будь-яких операцій з технічного обслуговування переконайтеся, що прилад вимкнено та відключено від джерела живлення.

! **Ризик ураження електричним струмом!**

За жодних обставин не використовуйте обладнання для очищення парою.

Не використовуйте абразивні або корозійні засоби, засоби для чищення на основі хлору або металеві мочалки для чищення посуду. Не кладіть на варильну поверхню такі металеві предмети, як ножі, виделки, ложки та кришки, оскільки вони можуть сильно нагріватися.

! **УВАГА!** Прилад не призначений для керування за допомогою зовнішнього перемикаючого пристрою, наприклад, таймера або окремої системи дистанційного керування.


- **Небезпека пожегу!** Не зберігайте жодні предмети на варильній поверхні.

! **УВАГА!** Обов'язково слідкуйте за процесом приготування їжі. Якщо приготування страви не займає багато часу, неперервно слідкуйте за процесом готування.

УТИЛІЗАЦІЯ ПОБУТОВОЇ ТЕХНІКИ

Цей прилад виробляється з матеріалів, придатних для повторної переробки чи використання. Утилізуйте його відповідно з діючими нормативними вимогами до утилізації відходів. Щоб отримати додаткову інформацію про обробку, відновлення та повторну переробку побутових електричних приладів, зверніться до місцевих органів влади, служби збирання побутових відходів або крамниці, де було придбано цей прилад. Цей прилад має маркування згідно з Європейською Директивою 2012/19/EU про відходи електричного й електронного обладнання (WEEE).

Належна утилізація цього виробу допоможе запобігти негативних наслідків для навколишнього середовища та здоров'я людей.

Символ  на виробі або в документації до нього означає, що прилад не підлягає утилізації разом із побутовим сміттям, а має бути доставлений до відповідного центру утилізації відходів електричного та електронного обладнання.

УТИЛІЗАЦІЯ ПАКУВАЛЬНИХ МАТЕРІАЛІВ

Різні частини упаковки необхідно утилізувати відповідально та в повній відповідності з правилами місцевих органів влади, що регулюють утилізацію відходів.

ПОРАДИ ЩОДО ЕНЕРГОЗБЕРЕЖЕННЯ

Макимально використовуйте залишкове тепло конфорки, вимкнувши її за кілька хвилин до закінчення приготування.

Основа вашої каструлі або пательні повинна повністю закривати конфорку.

Використання посуду, діаметр якого менше діаметра конфорки, призведе до втрат енергії.

Під час готування накривайте каструлі та сковорідки щільно прилягаючими кришками і використовуйте якомога менше води. Готування зі знятою кришкою значно збільшить споживання енергії.

УСТАНОВЛЕННЯ

Усі операції, пов'язані з установленням (електричним підключенням), повинні виконуватися кваліфікованим персоналом відповідно до чинних правил.

Не дивіться на галогенну лампу.

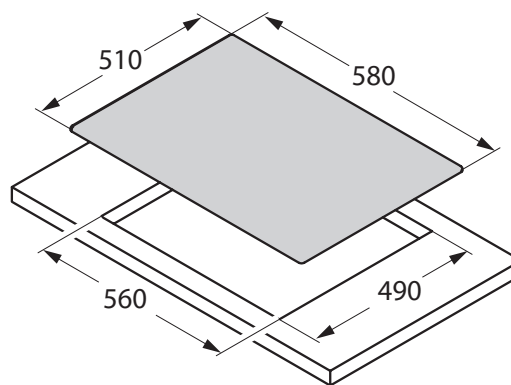
Ці Інструкції призначені для кваліфікованого технічного спеціаліста, як керівництво з встановлення, регулювання та обслуговування відповідно до чинних законів і стандартів. Будь-яка з цих операцій повинна виконуватися завжди, коли прилад відключений від електричної системи.

Прилад не призначений для роботи з використанням зовнішнього таймера чи окремої системи дистанційного керування.

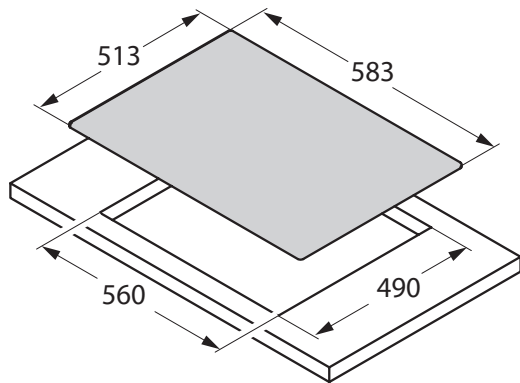
РОЗМІЩЕННЯ

Прилад можна встановити в робочій зоні, як показано на малюнку (мал. 1а і мал. 1б). Нанесіть ущільнювач, що постачається, по всьому периметру робочої зони.

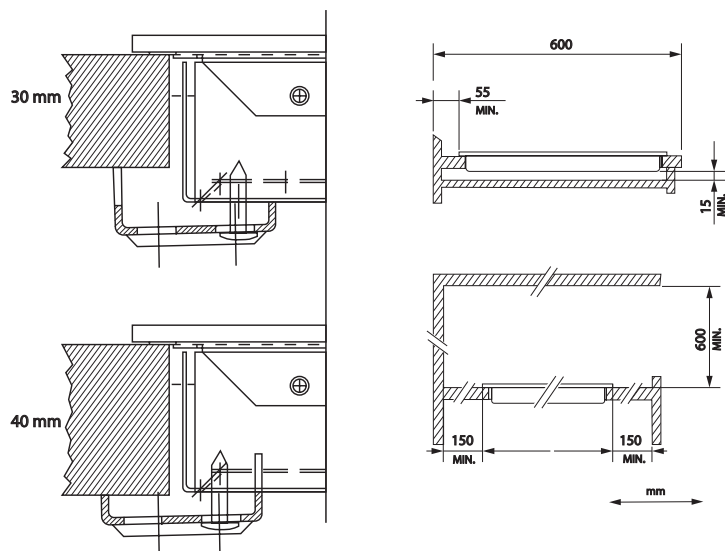
FRSM 603 C TD BK / FRSM 604 C T BK



Мал. 1а



Мал. 16



Мал. 2

ПІДКЛЮЧЕННЯ ДО ЕЛЕКТРОМЕРЕЖІ

Перед виконанням електричного підключення переконайтеся, що: характеристики установки відповідають тому, що вказано на пластині з експлуатаційними характеристиками, розташованій у нижній частині робочої зони;

установка обладнана ефективним заземленням відповідно до чинних стандартів і положень законодавства.

Підключення заземлення є обов'язковим згідно законодавства. Якщо на обладнанні немає кабелю та/або штепсельної вилки, використовуйте відповідний абсорбуючий матеріал для робочої температури, як зазначено на пластині з експлуатаційними характеристиками. За жодних обставин кабель не повинен досягати температури, яка перевищує температуру навколишнього середовища на 50 °C.

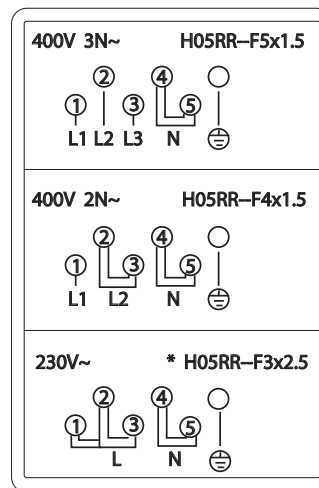
У разі підключення безпосередньо до електромережі встановіть багатополісний вимикач відповідного розміру для номінальної потужності з відстанню, яка повністю від'єднує лінію електромережі в умовах перенапруги III, відповідно до правил встановлення (жовто-зелений провід заземлення не повинен перериватися).

Штепсель або багатополісний перемикач повинні бути легко доступні на встановленому обладнанні.

Виробники не несуть жодної відповідальності у разі недотримання описаних вище норм, а також недотримання та порушення норм запобігання нещасним випадкам.

ПРИМІТКА. Переконайтеся, що характеристики побутової електричної системи (напруга, максимальна потужність та струм) сумісні з характеристиками приладу.

КАБЕЛЬ ЖИВЛЕННЯ ПОВИНЕН ЗАМІНЯТИ ЛИШЕ КВАЛІФІКОВАНИЙ ЕЛЕКТРИК.

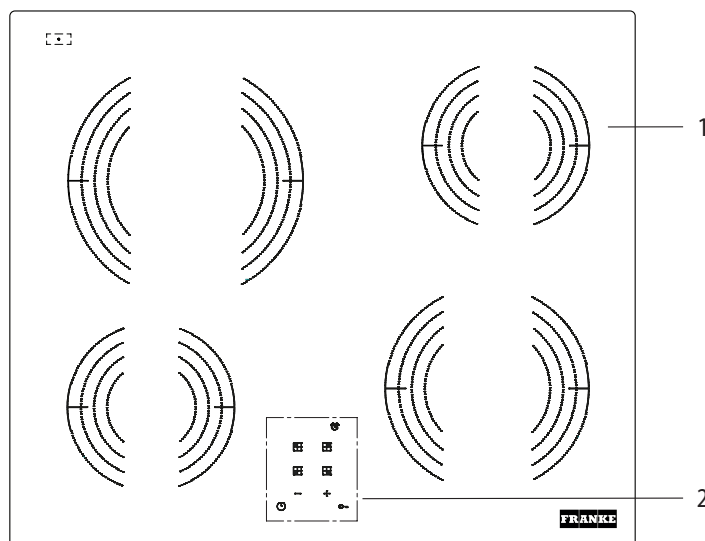
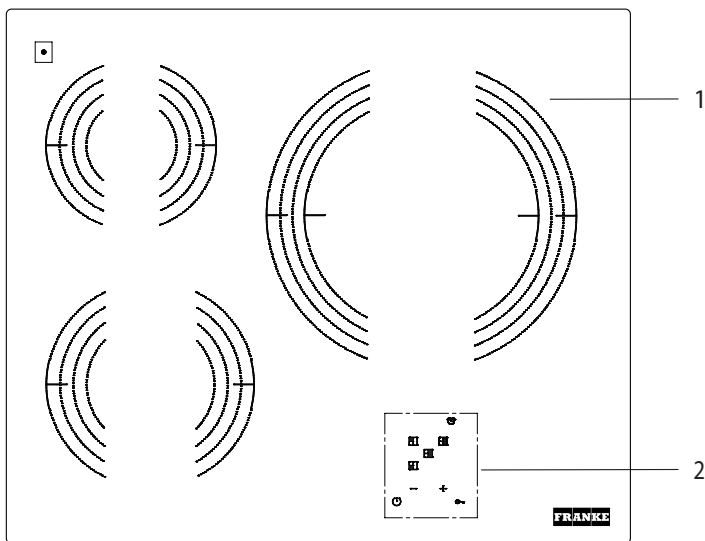


Мал. 3. Урахування фактора одночасного використання

ОГЛЯД

FRSM 603 C TD

FRSM 604 C T

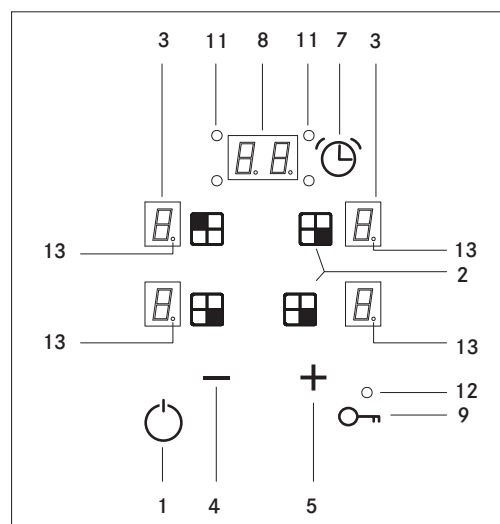
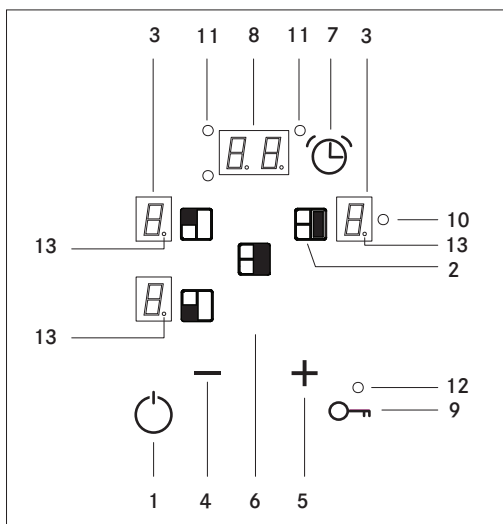


- 1. Варильна панель
- 2. Панель керування

ПАНЕЛЬ КЕРУВАННЯ

FRSM 603 C TD

FRSM 604 C T



- 1. Увімкнення/вимикання живлення
- 2. Зона варіння
- 3. Налаштування екрана
- 4. Мінус
- 5. Плюс
- 6. Подвійний контур тільки для моделі FRSM 603 C TD
- 7. Таймер

- 8. Дисплей таймера
- 9. Функція блокування
- 10. Світловий індикатор подвійного контуру
- 11. Світлові індикатори таймера
- 12. Світловий індикатор блокування
- 13. Десяткова кома

СЕНСОРНІ КЛАВІШІ

Усі операції можна виконувати за допомогою сенсорних клавіш (оптичних датчиків), розташованих на передній частині панелі керування; кожна клавіша має відповідний дисплей.

Кожна дія підтверджується звуковим сигналом.

ПРИМІТКА. Під час першого підключення варильної панелі до джерела живлення буде вставлена функція KeyLock.


Натисніть кнопку (9), щоб вимкнути її та почати використовувати пристрій.

ЩОДЕННЕ ВИКОРИСТАННЯ

СЕНСОРНЕ КЕРУВАННЯ НАГРІВАЛЬНИМИ ЕЛЕМЕНТАМИ

СЕНСОРНЕ КЕРУВАННЯ	ІНТЕНСИВНІСТЬ НАГРІВУ
1	слабкий
2-3	помірний
4	невисокий
5-6	середній
7-8	високий
9	інтенсивний

УВІМКЕННЯ ЗОНИ ВАРІННЯ

1. Торкніться сенсорної клавіші  та утримуйте її протягом 2 секунд.

Вмикається система керування: індикатори рівня потужності (3) показують 0.

2. Виконайте наступну операцію протягом 10 секунд, інакше пристрій вимкнеться автоматично.

- Натисніть клавішу (2) відповідно до зони варіння. На відповідному дисплеї буде мигати 0, вказуючи на те, що зона ввімкнена.
- Установіть рівень потужності (від 1 до 9) за допомогою клавіш **+** та **-** (5/4). Клавіші **+** та **-** мають функцію повторювача, тобто утримування цих клавіш натиснутими збільшує або зменшує налаштування на одну одиницю кожні 0,3 секунди.

Одночасно можна вмикати лише одну зону варіння, тому одночасно блимає лише одна зона варильної панелі.

ВИМКЕННЯ ЗОНИ ВАРІННЯ

Зона варіння має бути ввімкненою.

Зменшіть рівень потужності до 0, натискаючи (4).

Через 10 секунд зона варіння вимкнеться автоматично.

ШВИДКЕ ВИМКЕННЯ

Зона варіння має бути ввімкненою.

Одночасно натисніть клавіші **+** та **-** (5/4) і зона варіння вимкнеться негайно.

ІНДИКАТОРИ ЗАЛИШКОВОГО ТЕПЛА

Поки зона варіння ще достатньо гаряча, щоб спричинити опіки, на відповідному дисплеї з'являється символ **H** (залишкове тепло).

Символ зникає лише тоді, коли температура опускається нижче 60 °C і ризику опіків більше немає.

На дисплеї відображається 0, поки температура залишається нижче 60 °C, перемикається на **H** лише тоді, коли температура перевищує 60 °C.

- Вимкніть зону варіння перед завершенням приготування, щоб використати залишкове тепло для економії енергії.

У разі збою електроживлення індикатор залишкового тепла **H** згасне.

Прилад можна в будь-який момент вимкнути, натиснувши клавішу живлення (1).

ФУНКЦІЇ

ДВОКОНТУРНА ЗОНА ВАРІННЯ (ТІЛЬКИ В МОДЕЛІ FRSM 603 C TD)

Зона варіння може бути обладнана подвійним контуром, напр. центральним диском і зовнішнім кільцем.

Можна використовувати як центральну зону окремо, так і обидві зони разом і таким чином адаптувати зону варіння відповідно до розміру каструлі.

УВІМКЕННЯ ДВОКОНТУРНОЇ ЗОНИ ВАРІННЯ (ТІЛЬКИ В МОДЕЛІ FRSM 603 C TD)

Відповідна зона варіння має бути ввімкненою.

- Виберіть бажаний рівень потужності (від 1 до 9).
- Увімкніть другий контур, натиснувши клавішу подвійного контуру (6).

Засвітиться світловий індикатор (10) вибраної зони; другий контур включається разом із першим.

ВИМКЕННЯ ДРУГОГО КОНТУРУ ДВОКОНТУРНОЇ ЗОНИ ВАРІННЯ (ТІЛЬКИ В МОДЕЛІ FRSM 603 C TD)

Двоконтурна зона варіння має бути ввімкненою.

Торкніться клавіші подвійного контуру (6).

Індикатор (10) вимикається і другий контур вимикається.

ФУНКЦІЯ БЛОКУВАННЯ ПРИЛАДУ

Щоб запобігти ненавмисному спрацюванню, весь прилад можна заблокувати, натиснувши клавішу блокування (9). Ця функція діє також і як функція захисту від дітей.

Якщо функцію блокування не вимкнути до вимкнення приладу, вона все одно буде активною під час наступного ввімкнення приладу.

Поки функція блокування активована, використання клавіш не матиме ніякого ефекту.

АВТОМАТИЧНЕ ЗАХИСНЕ ВИМИКАННЯ

Якщо одна або кілька зон варіння ненавмисно залишені увімкненими, через певний період часу система керування автоматично вимикає їх або зменшує їх потужність.

У разі автоматичного безпечного відключення на дисплеї мигає символ **H** або **Fc**.

Щоб запобігти автоматичному вимкненню, просто торкніться клавіші вибору зони або клавіш **+** та **-** до закінчення заданого часу.

АВТОМАТИЧНЕ ПОПЕРЕДНЄ НАГРІВАННЯ

Ця функція спрощує процес приготування їжі, оскільки не вимагає втручання людини.

Зона варіння спочатку нагрівається на максимальній потужності, щоб швидко довести зону до температури приготування, після чого потужність автоматично зменшується до попередньо встановленого рівня (табл. 1).

РІВЕНЬ ПОТУЖНОСТІ	ФУНКЦІЯ АВТОМАТИЧНОГО ПОПЕРЕДНЬОГО НАГРІВАННЯ
1	1' 11"
2	2' 44"
3	4' 47"
4	5' 28"
5	6' 29"
6	1' 11"
7	2' 44"
8	2' 44"
9	-

АКТИВАЦІЯ ФУНКЦІЇ АВТОМАТИЧНОГО ПОПЕРЕДНЬОГО НАГРІВАННЯ

- Виберіть зону варіння, натиснувши клавішу (2).
- Виберіть рівень потужності 9 за допомогою клавіші **-**. Потім виберіть рівень 9 із десятковою комою за допомогою клавіші **+**.
- Виберіть бажаний рівень потужності, наприклад 6, за допомогою клавіші **-**.
- В автоматичному режимі попереднього нагрівання на дисплеї зони варіння по черзі відобразитиметься встановлений рівень (6) із десятковою комою (13).

ЗМІНА НАЛАШТУВАННЯ РІВНЯ ПОТУЖНОСТІ ПІД ЧАС АВТОМАТИЧНОГО НАГРІВАННЯ

Відповідна зона варіння має бути увімкненою.

Десяткова кома (13) на відповідному дисплеї має світитися.

Для збільшення значення нагрівання можна використовувати тільки клавішу **+**.

Якщо рівень збільшено, новий час попереднього нагрівання буде розраховано з урахуванням часу, що минув після попереднього налаштування.

Приклад: рівень 1 є першим обраним рівнем, що відповідає часу попереднього нагрівання 1' 11".

Після 30», рівень потужності збільшується до 4, що вимагає часу попереднього нагрівання 5» 28».

Після зміни рівня автоматичний попереднє нагрівання триватиме ще 4'58" (5' 28" - 30 = 4'58').

ДЕАКТИВАЦІЯ ФУНКЦІЇ АВТОМАТИЧНОГО ПОПЕРЕДНЬОГО НАГРІВАННЯ

Відповідна зона варіння має бути увімкненою.

Десяткова кома (13) на відповідному дисплеї повинна світитися.

- Натисніть **-** (4), після того як функція була активована протягом щонайменше 10 секунд.

ФУНКЦІЯ ТАЙМЕРА

Ця автоматична функція також усуває необхідність втручання людини протягом усього циклу приготування.

Зона варіння автоматично вимикається через встановлений період часу.

АКТИВАЦІЯ ФУНКЦІЇ ТАЙМЕРА

Зона, яка програмується, має бути увімкненою.

- Виберіть рівень від 1 до 9.
- Натисніть клавішу таймера (7), на дисплеї таймера відобразиться 00.
- Виберіть час варіння (від 0 до 99 хвилин) за допомогою клавіш **+** та **-** (5 та 4). Функція таймера активується автоматично через декілька секунд.

Світиться індикатор (11), що відповідає запрограмованій зоні.

- Утримуйте натиснутими клавіші **+** або **-**, щоб швидко відрегулювати час варіння.

Функція таймера застосовується до всіх зон варіння.

ЗМІНА ПОПЕРЕДНЬО НАЛАШТОВАНОГО ЧАСУ ВАРІННЯ

Запрограмований час варіння можна змінити в будь-який момент.

Відповідна зона варіння має бути увімкненою.

Відповідний дисплей блимає разом зі світлодіодом, що відповідає таймеру зони (11).

- Натисніть клавішу таймера (7).
- Задайте новий час варіння за допомогою клавіш **+** та **-** (5 та 4).
- Утримуйте натиснутими клавіші **+** або **-**, щоб швидко відрегулювати час варіння.

ВИМКНЕННЯ ФУНКЦІЇ ТАЙМЕРА

Після закінчення встановленого часу варіння звуковий сигнал лунатиме протягом 2 хвилин. Щоб припинити сигнал, натисніть будь-яку клавішу.

Зона варіння тепер вимкнена.

Якщо необхідно перервати таймер до закінчення запрограмованого часу, відповідна зона має бути увімкнена.

- Натисніть клавішу таймера (7).
- Обнулiть час, натиснувши **-** (4).

Тепер таймер вимкнено, але зона варіння залишиться увімкненою, доки її не буде вимкнено вручну.

ШВИДКЕ ВИМКНЕННЯ

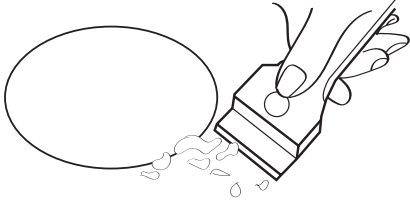
1. Відповідна зона варіння має бути увімкненою.
2. Одночасно натисніть клавіші **+** та **-** (5 та 4) і зона варіння вимкнеться негайно. Таймер також буде деактивований.

ЧИЩЕННЯ ТА ОБСЛУГОВУВАННЯ

Перш за все видаліть з варильної поверхні шматочки їжі та краплі жиру за допомогою спеціального скребка (мал. 4).

Потім очистіть паперовим рушником та спеціальними засобами для склокерамічних поверхонь, а потім промийте водою і висушіть чистою тканиною.

Шматки алюмінієвої фольги та пластмаси, які випадково розплавилася, чи залишки цукру або продуктів із високим вмістом цукру, необхідно негайно видалити із зони гарячого варіння за допомогою спеціального скребка (мал. 4).



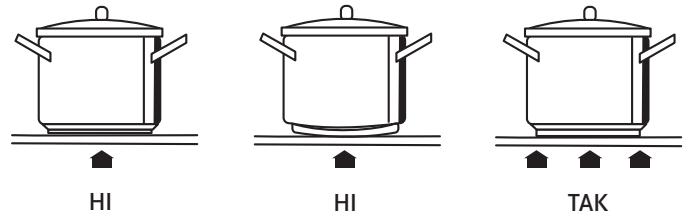
Мал. 4

Це робиться для того, щоб уникнути можливого пошкодження верхньої частини варильної поверхні.

За жодних обставин не можна використовувати абразивні губки або дратівливі хімічні мийні засоби, такі як засоби для видалення плям.

НЕ ВИКОРИСТОВУЙТЕ ПАРООЧИСНИКИ.

Під час користування нагрівальними елементами ми радимо використовувати ємності з плоским дном (мал. 5) такого ж діаметра або трохи більше, ніж у гарячої зони.



Мал. 5.

Уникайте переливання рідини, тому, коли почалося кипіння, або в будь-якому іншому випадку, коли рідина нагрівається, зменшіть подачу тепла.

Не залишайте нагрівальні елементи увімкненими без ємностей на верхній частині або з пустими каструлями та сковородками.

Якщо на варильній поверхні є навіть невелика тріщина, негайно відключіть джерело живлення, щоб уникнути ураження електричним струмом.

ТЕХНІЧНІ ДАНІ

НАГРІВАЛЬНІ ЕЛЕМЕНТИ	НОМІНАЛЬНА ПОТУЖНІСТЬ
одноконтурне джерело випромінювання Ø 210 (FRSM 604 C T)	2 100 Вт
одноконтурне джерело випромінювання Ø 140 (FRSM 603 C TD / 2 x FRSM 604 C T)	1 200 Вт
одноконтурне джерело випромінювання Ø 180 (FRSM 603 C TD)	1 700 Вт
одноконтурне джерело випромінювання Ø 180 (FRSM 604 C T)	1 700 Вт
двоконтурне джерело випромінювання Ø 210/270 (FRSM 603 C TD)	1 500/2 400 Вт

ПІДТРИМКА

У разі проблем під час експлуатації пристрою зверніться до центру технічного обслуговування Franke.

Не користуйтеся послугами некваліфікованих техніків.

Звертаючись до сервісного центру, обов'язково надайте таку інформацію:

- тип несправності;
- модель приладу (Art.);
- серійний номер (S. N.)

Ці відомості зазначено на паспортній табличці. Табличку прикріплено з нижнього боку.

Надайте документ, що засвідчує факт придбання, якщо ще діє гарантійний період.



WWW.FRANKE.COM

© Franke Technology and Trademark Ltd., Switzerland

İÇİNDEKİLER

GÜVENLİK BİLGİLERİ	112
KURULUM	113
ELEKTRİK BAĞLANTISI.....	114
GENEL BAKIŞ.....	115
GÜNLÜK KULLANIM.....	116
FONKSİYONLAR.....	116
TEMİZLİK VE BAKIM.....	118
TEKNİK VERİLER	118
DESTEK.....	118

Ürünü ilk kez kullanmadan önce kullanım talimatlarını okuyun.


Ürünün yanlış kurulmasından ve yanlış, uygunsuz veya makul olmayan bir biçimde kullanılmasından kaynaklanabilecek olası hasarlardan üretici sorumlu tutulamaz.

Bu elektrikli cihazın güvenli ve etkili bir şekilde çalışmasını sağlamak için:

Sadece yetkili servis merkezleriyle irtibata geçin.

Ürünün hiçbir özelliğini modifiye etmeyin.


Bu cihaz, gözetim veya yönlendirme sağlanmadığı sürece, fiziksel, duyuşal veya zihinsel kabiliyeti kısıtlı kişiler veya bilgi ve deneyimi olmayan kişiler (çocuklar dahil) tarafından kullanılmak üzere tasarlanmamıştır.


 Bu ürün 8 yaş ve üzeri çocuklar, fiziksel, duyuşal veya zihinsel yetkinlikleri sınırlı olan veya sınırlı deneyimi veya bilgisi olan kişiler tarafından ancak ilgili tehlikeleri anladıkları takdirde ve gözetim altında veya ürünün güvenli bir şekilde kullanımına ilişkin talimatların verilmesi halinde kullanılabilir.

Çocuklar ürünle oynamamalıdır.


Temizlik ve bakım işlemleri bir yetişkinin gözetimi altında olmayan çocuklar tarafından yapılmamalıdır.


Çocuklar cihazla oynamamaları için gözetim altında olmalıdır.

 Fişi erişilebilir durumdaysa fişi çekilerek veya kablolu kurallarına uygun olarak prizin önüne monte edilmiş çok kutuplu bir anahtarla cihazın güç kaynağıyla bağlantısının kesilmesi mümkün olmalı ve cihaz ulusal elektrik güvenliği standartlarına uygun olarak topraklanmalıdır.


 Uzatma kablosu, çoklu soket veya adaptör kullanmayın. Elektrikli bileşenler kurulum sonrasında kullanıcı tarafından erişilebilir durumda olmamalıdır. Ürünü ıslak veya yalın ayak

kullanmayın. Hasarlı bir güç kablosu veya fişi varsa, düzgün çalışmıyorsa veya hasar görmüş ya da yere düşürülmüşse bu ürünü çalıştırmayın.


 Güç kablosu zarar görürse, olası bir tehlikeyi - örneğin elektrik çarpması riskini - önlemek için üretici, servis sorumlusu veya yetkili servis tarafından bir benzeriyle değiştirilmelidir.


 UYARI: Ürün ve erişilebilir parçaları kullanım sırasında sıcak hale gelebilir. Isıtma elemanlarına dokunmaktan kaçınin.


• 8 yaşın altındaki çocuklar sürekli gözetim altında olmamaları halinde uzak tutulmalıdır.

 UYARI: Ocakta, katı veya sıvı yağ ile gözetimsiz yemek yapılması tehlikeli olabilir ve yangına yol açabilir.

• KESİNLİKLE yangını suyla söndürmeye çalışmayın, cihazı kapatın ve ardından alevin üzerini örn. kapak veya yangın battaniyesi ile örtün.

 UYARI: Pişirme yüzeylerinin üstünde herhangi bir obje saklamayın.

 Ürünün yüzeyi çatlamış ise elektrik çarpması olasılığını önlemek için cihazı kapatın.

 UYARI: Herhangi bir bakım işleminden önce cihazın kapalı olduğundan ve güç kaynağıyla bağlantısının kesildiğinden emin olun.

 Elektrik çarpması riski!

Asla buharlı temizleme ekipmanı kullanmayın.

Aşındırıcı ürünler, klor bazlı temizleyiciler veya bulaşık teli kullanmayın. Çatal, bıçak, kaşık ve kapak gibi metalik nesnelere ocağın yüzeyine yerleştirilmemelidir zira çok sıcak hale gelebilirler.

⚠ DİKKAT: Bu cihaz, zamanlayıcı veya ayrı bir uzaktan kumanda sistemi gibi harici bir anahtarlama cihazı üzerinden çalıştırılmamalıdır.


- Yangın tehlikesi: Pişirme yüzeylerinin üstünde herhangi bir obje saklamayın.

⚠ DİKKAT: Pişirme işlemi gözetim altında gerçekleştirilmelidir. Kısa süreli pişirme işlemleri aralıksız gözetim altında gerçekleştirilmelidir.

EV ALETLERİNİN İMHASI

Cihaz geri dönüştürülebilir veya tekrar kullanılabilir malzemelerle üretilmiştir. Yerel atık imha yönetmeliklerine uygun olarak imha edin. Elektrikli ev aletlerinin işlenmesi, geri kazanılması ve geri dönüştürülmesi hakkında daha fazla bilgi için, yetkili yerel makamınızla, evsel atık toplama servisiyle veya cihazı satın aldığınız mağazayla iletişime geçin. Bu cihaz, 2012/19/EU sayılı Avrupa Yönergesi, Atık Elektrikli ve Elektronik Ekipman (WEEE) ile uyumlu olarak işaretlenmiştir.

Bu ürünün doğru şekilde imha edilmesini sağlayarak çevre ve insan sağlığı için olumsuz sonuçların önlenmesine yardımcı olacaksınız.

Ürün veya beraberindeki belgeler üzerindeki sembol , evsel atık olarak imha edilmemesini, elektrikli ve elektronik ekipmanların geri dönüşümü için uygun bir toplama merkezine götürülmesi gerektiğini belirtir.

AMBALAJ MALZEMELERİNİN İMHASI

Ambalajın birçok çeşitli kısımları hassas bir biçimde ve atık imhası ile ilgili yerel makamların düzenlemelerine tamamen uygun şekilde imha edilmelidir.

ENERJİ TASARRUFU İÇİN İPUÇLARI

Pişirmeyi bitirmeden birkaç dakika önce kapatarak ocakta kalan ısıdan en iyi şekilde yararlanın.

Tencerenizin veya tavanızın tabanı, ocak gözünü tamamen örtmelidir; kabın ocak gözünden daha küçük olması enerji israfına neden olur.

Pişirme sırasında tencere ve tavalarınızı uyumlu kapaklarla kapatın ve mümkün olduğunca az su kullanın. Kapak açık şekilde pişirmek enerji tüketimini önemli ölçüde artırır.

KURULUM

Kurulumla ilgili tüm işlemler (elektrik bağlantısı) kalifiye personel tarafından yürürlükteki kurallara uygun olarak gerçekleştirilmelidir.

Halojen lambaya uzun süre bakmayın.

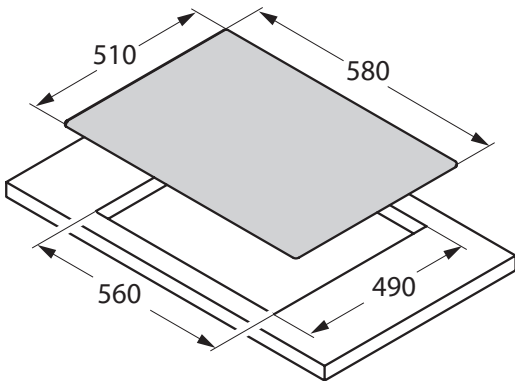
Bu talimatlar, yürürlükteki yasalara ve standartlara göre, kalifiye teknisyenler için kurulum, ayarlama ve bakımda kullanılmak üzere kılavuz niteliğindedir. Bu işlemlerden herhangi birinin gerçekleştirilmesi için her zaman cihazın elektrik sistemiyle bağlantısı kesilmiş olmalıdır.

Cihaz, harici bir zamanlayıcı veya ayrı bir uzaktan kumanda sistemiyle kullanılmamalıdır.

KONUMLANDIRMA

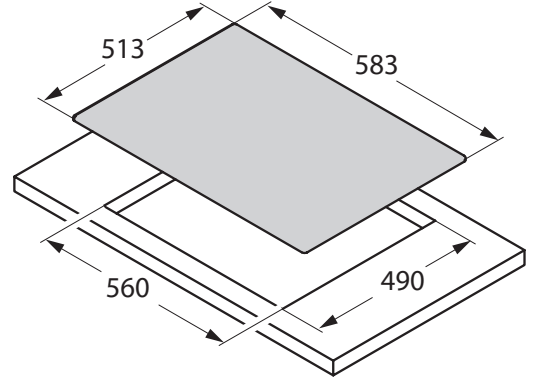
Cihaz, şekilde gösterildiği gibi bir çalışma alanına yerleştirilebilir (Şek. 1a a Şek. 1b). Birlikte teslim edilen contayı çalışma alanına çepeçevre uygulayın.

FRSM 603 C TD BK / FRSM 604 C T BK

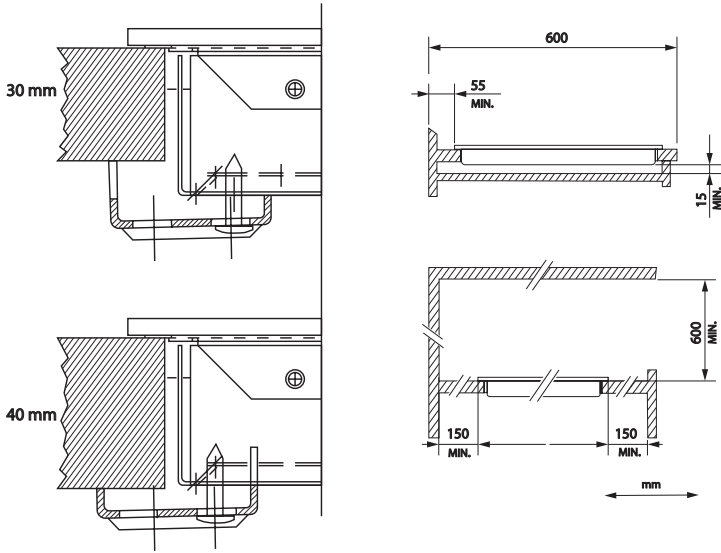


Şek. 1a

FRSM 604 C T XS



Şek. 1b



Şek. 2

ELEKTRİK BAĞLANTISI

Elektrik bağlantısını kurmadan önce şunlardan emin olun:

- sistemin özellikleri, ocağın altına yerleştirilen teknik veri plakasında belirtilenlere uyacak şekildedir;
- sistem standartlara ve yürürlükteki kanunlara uygun bir şekilde etkili bir topraklama bağlantısıyla donatılmıştır.

Topraklama bağlantısı yasal olarak zorunludur. Ocakta kablo ve/veya fiş yoksa, teknik veri plakasında belirtildiği gibi, çalışma sıcaklığına da uygun emici malzeme kullanın. Kablo, hiçbir koşulda 50°C'lik ortam sıcaklığının üzerine çıkmamalıdır.

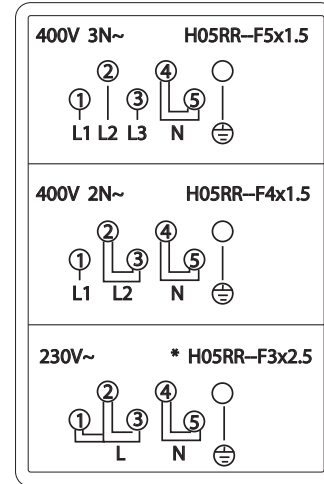
Doğrudan ana güç kaynağına bağlanıyorsa, kurulum kurallarına uygun olarak, aşırı gerilim kategorisi III koşullarında elektrik hattını tamamen kesen bir boşluk mesafesine sahip, nominal kapasite için uygun boyutta çok kutuplu bir anahtar takın (sarı/yeşil topraklama kablosu kesilmemelidir).

Fiş veya omnipolar anahtar, kurulan ekipman üzerinde kolayca erişilebilir olmalıdır.

Üreticiler, yukarıda açıklananlara ve kaza önleme normlarına uyulmaması durumunda hiçbir sorumluluk kabul etmemektedir.

NOT: Eysel elektrik sisteminin (gerilim, maksimum güç ve akım) özelliklerinin, cihazın özelliklerine uygun olduğundan emin olun.

GÜÇ KABLOSU SADECE KALİFİYE BİR ELEKTRİK TEKNİSYENİ TARAFINDAN DEĞİŞTİRİLMELİDİR.

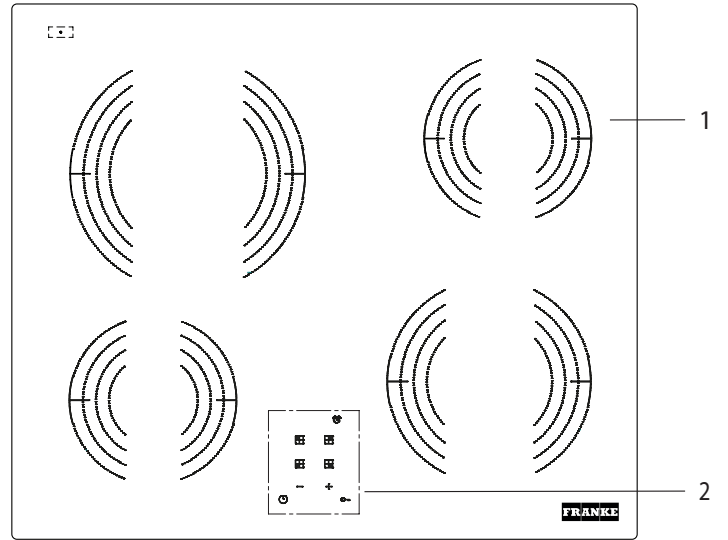
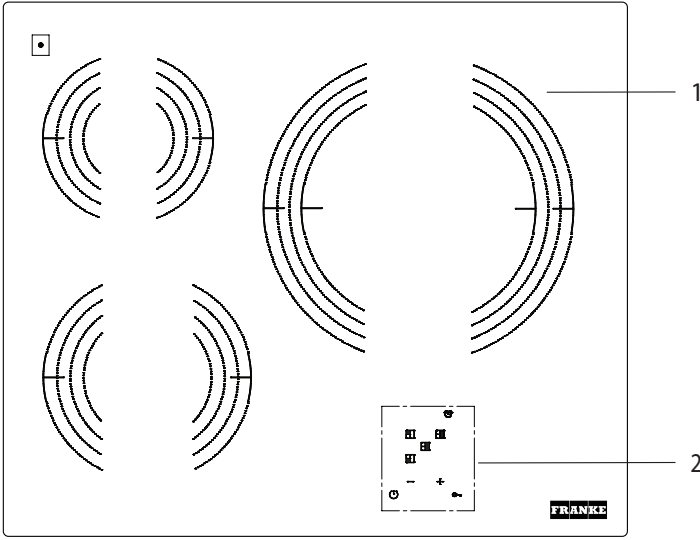


Şek. 3 Eşzamanlılık faktörünü göz önünde bulundurma

GENEL BAKIŞ

FRSM 603 C TD

FRSM 604 C T

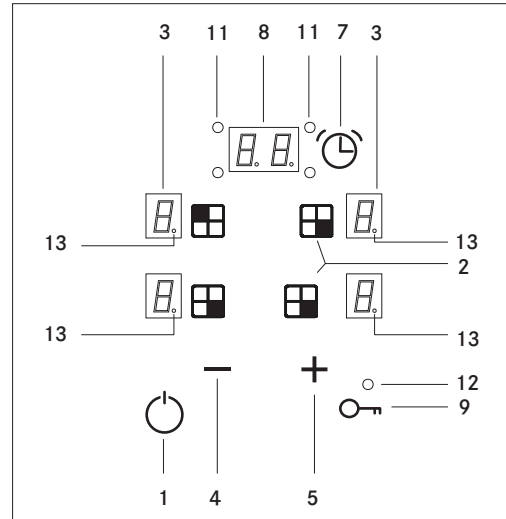
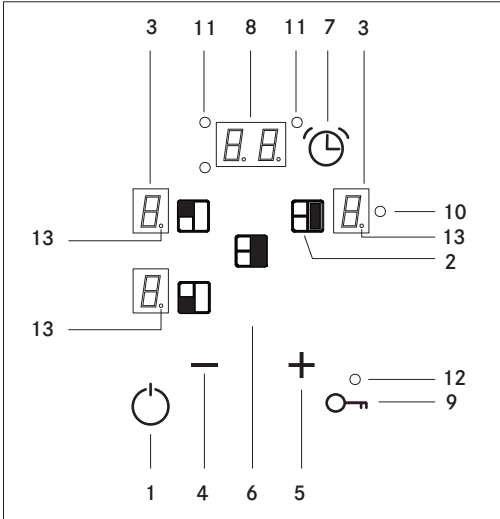


1. Ocak
2. Kontrol paneli

KONTROL PANELİ

FRSM 603 C TD

FRSM 604 C T



1. Açma/ Kapatma
2. Pişirme bölgesi
3. Ayar gösterimi
4. Eksi
5. Artı
6. Sadece FRSM 603 C TD için ikili devre
7. Zamanlayıcı

8. Zamanlayıcı ekranı
9. Kilit fonksiyonu
10. Çift devre gösterge lambası
11. Zamanlayıcı gösterge lambaları
12. Kilit gösterge lambası
13. Ondalık nokta

DOKUNMAYA DUYARLI TUŞLAR

Tüm işlemler kontrol panelinin önünde bulunan dokunmaya duyarlı tuşlar (optik sensörler) ile gerçekleştirilebilir; her tuş karşılık gelen bir ekrana sahiptir.


Her işlem bir bip sesi ile onaylanır.

GÜNLÜK KULLANIM

DOKUNMATİK KONTROLLÜ ISITMA ELEMANLARI




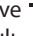
DOKUNMATİK KONTROL	ISI YOĞUNLUĞU
1	zayıf
2-3	nazık
4	yavaş
5-6	orta
7-8	güçlü
9	yoğun

BİR PİŞİRME BÖLGESİNİN AÇILMASI

1. 2 saniye dokunmatik tuşa  basın.

Kontrole güç verilir: güç seviyesi göstergeleri (3) 0 değerini gösterir.

2. Bir sonraki işlemi 10 saniye içerisinde gerçekleştirin, aksi takdirde cihaz otomatik kapanacaktır.

- Pişirme bölgesine karşılık gelen tuşa (2) basın. İlgili ekran yanıp sönerek 0 değerini gösterecektir, bu bölgenin açık olduğu anlamına gelir.
-  ve  tuşlarını (5/4) kullanarak güç seviyesini (1 ile 9 arası) ayarlayın.  ve  tuşları bir tekrarlayıcı fonksiyonuna sahiptir, i.e. bu tuşlara basılı tutulması her 0,3 saniyede bir ayarı bir birim artıracak veya azaltacaktır.

FONKSİYONLAR

ÇİFT DEVRELİ PİŞİRME BÖLGESİ (SADECE FRSM 603 C TD MODELİ)

Pişirme bölgesinde bir çift devre bulunabilir, örn. merkezi bir disk ve bir dış halka.

Merkezi bölgeyi tek başına veya her iki bölgeyi kullanabilirsiniz ve bu şekilde pişirme alanını tava ölçüsüne göre ayarlanabilirsiniz.

BİR ÇİFT DEVRE PİŞİRME BÖLGESİNİN AÇILMASI (SADECE FRSM 603 C TD MODELİ)

İlgili bölge açık olmalıdır.

- İstenen güç seviyesini seçin (1 ile 9 arası).
- Çift devre tuşuna (6) basarak ikinci devreyi açın.

Seçilen bölgenin gösterge lambası (10) yanacaktır; ikinci devre birincisi ile birlikte açılır.

BİR ÇİFT DEVRELİ PİŞİRME BÖLGESİNİN İKİNCİ DEVRESİNİN KAPATILMASI (SADECE FRSM 603 C TD MODELİ)

Çift devre bölgesi açık olmalıdır.

Çift devre tuşuna (6) basın.

Gösterge lambası (10) söner ve ikinci devre kapatılır.

NOT: Ocak ilk kez güç kaynağına bağlandığında, KeyLock fonksiyonu eklenecektir.

Bunu devreden çıkarmak için (9) düğmesine basın ve ürünü kullanmaya başlayın.

Her seferinde sadece bir pişirme bölgesi açılabilir, yani herhangi bir anda sadece bir ocak bölgesi yanıp söner.

BİR PİŞİRME BÖLGESİNİN KAPATILMASI


Pişirme bölgesi açık olmalıdır.

(4) üzerine basarak güç seviyesini 0 değerine düşürün.

10 saniye sonrasında pişirme bölgesi otomatik olarak kapatılacaktır.

HIZLI KAPATMA

Pişirme bölgesi açık olmalıdır.

 ve  (5/4) tuşlarına aynı anda basın ve bölge hemen kapatılacaktır.

ARTIK ISI GÖSTERGELERİ

Pişirme bölgesi yanıklara sebep olabilecek kadar sıcakken karşılık gelen ekran **H** (artık ısı) sembolünü gösterir.

Sembol sadece sıcaklık 60° C altına düştüğünde yok olur ve artık herhangi bir yanık riski yoktur.

Sıcaklık 60° C altında kaldığı sürece ekran 0 değerini gösterir, sadece sıcaklığın 60° C üzerine çıkması halinde **H** sembolüne geçer.

- Enerji tasarrufu sağlamak amacıyla artık ısıyı kullanmak için pişirme tamamlanmadan önce pişirme bölgesini kapatın.

Artık ısı göstergesi **H** güç beslemesi kesildiğinde sönecektir.

Cihaz açma/kapatma tuşuna (1) basılarak istendiği zaman kapatılabilir.

CİHAZ KİLİDİ FONKSİYONU

Kilit tuşuna (9) basılarak kaza eseri çalışmayı engellemek için cihazın tamamı kapatılabilir. Bu aynı zamanda çocuk güvenlik fonksiyonu olarak da çalışır.



Eğer kilit fonksiyonu cihaz kapatılmadan önce devreden çıkarılırsa, cihaz bir sonraki kez açıldığında halen aktif olacaktır.

Kilit fonksiyonu etkinleştirildiğinde, tuşlara basılması bir etki yaratmaz.

OTOMATİK GÜVENLİK KAPATMASI

Bir veya birkaç tane pişirme alanı istemeden açık unutulduysa, kontrol bunları otomatik kapatır veya belirli bir süre sonra güçlerini düşürür.

Otomatik güvenlik kapatması durumunda ekran **H** veya **Fc** sembollerini yanıp sönerek gösterir.

Otomatik kapatmayı engellemek için alan seçim tuşu veya  ve  tuşlarına zaman sınırı dolmadan önce dokununuz.

OTOMATİK ÖN ISITMA

Bu fonksiyon insan müdahalesine ihtiyacı ortadan kaldırarak pişirme işlemini basitleştirir.

Pişirme bölgesinde, bölgeyi hızlı bir şekilde pişirme sıcaklığına getirmek için ilk olarak maksimum güçte ön ısıtma yapılır, sonrasında güç otomatik olarak önceden ayarlanan seviyeye düşürülür. (Sek. 1).

GÜÇ SEVİYESİ	OTOMATİK ÖN ISITMA FONKSİYONU
1	1' 11"
2	2' 44"
3	4' 47"
4	5' 28"
5	6' 29"
6	1' 11"
7	2' 44"
8	2' 44"
9	-

OTOMATİK ÖN ISITMA FONKSİYONUNUN ETKİNLEŞTİRİLMESİ

- (2) tuşuna basarak pişirme bölgesini seçin.
- — tuşunu kullanarak güç seviyesi 9'u seçin. Sonrasında + tuşunu kullanarak ondalık nokta ile 9 seçin.
- — tuşunu kullanarak istenen güç seviyesini seçin, örn. 6.
- Otomatik ön ısıtma modunda, pişirme bölgesi ekranı ayarlanan seviyeyi (6) bir ondalık nokta (13) ile birlikte gösterecektir.

OTOMATİK ÖN ISITMA SIRASINDA GÜÇ SEVİYE AYARININ DEĞİŞTİRİLMESİ

İlgili pişirme bölgesi açık olmalıdır.

Karşılık gelen ekrandaki ondalık nokta (13) yanmalıdır.

Isıtma değeri sadece + tuşu ile artırılabilir.

Seviye artırılırsa, yeni ön ısıtma süresi önceki ayardan bu yana geçen süre dikkate alınarak hesaplanacaktır.

Örnek: 1' 11" ön ısıtma süresine karşılık gelen seviye 1 ilk olarak seçilir.

30" sonra, güç seviyesi 4'e yükseltilir, bunun için de 5' 28" ön ısıtma süresi gereklidir.

Seviye değiştirildikten sonra, ön ısıtma 4'58" (5' 28" - 30 = 4'58') daha sürecektir.

OTOMATİK ÖN ISITMA FONKSİYONUNUN DEVREDEN ÇIKARILMASI

İlgili bölge açık olmalıdır.

Karşılık gelen ekran üzerindeki ondalık nokta (13) yanmalıdır.

- Fonksiyon en az 10 saniye boyunca etkin olduğunda — (4) üzerine basın.

ZAMANLAYICI FONKSİYONU

Bu otomatik fonksiyon tüm pişirme döngüsü boyunca insan müdahalesine olan ihtiyacı ortadan kaldırır.

Ayarlanan süre sonrasında pişirme bölgesi otomatik olarak kapatılır.

ZAMANLAYICI FONKSİYONUNUN ETKİNLEŞTİRİLMESİ

Programlanacak olan bölge açık olmalıdır.

- 1 ile 9 arasında bir seviye seçin.
- Zamanlayıcı tuşuna (7) basın, zamanlayıcı ekranı 00 değerini gösterecektir.
- + ve — (5 ve 4) tuşlarını kullanarak pişirme süresini (0 ile 99 dakika arasında) ayarlayın. Zamanlayıcı fonksiyonu birkaç saniye içerisinde etkinleştirilecektir.

Programlanan bölgeye karşılık gelen gösterge lambası (11) yanar.

- Pişirme süresini hızlı şekilde ayarlamak için + veya — tuşlarına basın. Zamanlayıcı fonksiyonu tüm ocak bölgeleri için geçerlidir.

ÖNCEDEN AYARLANMIŞ BİR PİŞİRME SÜRESİNİN DEĞİŞTİRİLMESİ

Programlanan pişirme süresi herhangi bir zamanda değiştirilebilir.

İlgili bölge açık olmalıdır.

İlgili ekran bölge zamanlayıcısına (11) karşılık gelen LED ile birlikte yanıp söner.

- Zamanlayıcı tuşuna (7) basın.
- + ve — (5 ve 4) tuşlarını kullanarak yeni bir pişirme süresi belirleyin.
- Pişirme süresini hızlı bir şekilde ayarlamak için + veya — tuşlarına basın

ZAMANLAYICI FONKSİYONUNUN KAPATILMASI

Ayarlanan süre dolduğunda, 2 dakika boyunca bir sesli sinyal verilir. Sinyali kesmek için herhangi bir tuşa basabilirsiniz.

Pişirme bölgesi şimdi kapatılmıştır.

Programlanan süre bitmeden önce zamanlayıcıyı kesintiye uğratmak isterseniz, ilgili bölge açık olmalıdır.

- Zamanlayıcı tuşuna (7) basın.
- — (4) üzerine basarak süreyi sıfırlayın.

Zamanlayıcı şimdi devreden çıkarılmıştır ancak manuel olarak kapatılana kadar pişirme bölgesi açık kalacaktır.

HIZLI KAPATMA

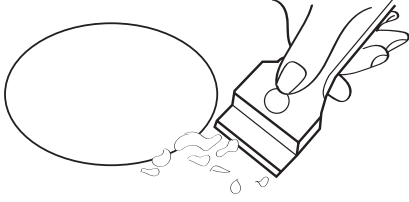
1. İlgili bölge açık olmalıdır.
2. + ve — (5 ve 4) tuşlarına eş zamanlı olarak basın; pişirme bölgesi hemen kapanacaktır. Zamanlayıcı da devreden çıkarılacaktır.

TEMİZLİK VE BAKIM

Öncelikle özel kazıyıcı ile pişirme yüzeyindeki yemek parçalarını ve yağ damlalarını temizleyin (Şek. 4).

Ardından cam seramik pişirme yüzeylerine özel ürünler ve kağıt havluyla temizleyin, suyla durulayın ve temiz bir bezle kurulayın.

Dikkatsizlik sonucu eriyen alüminyum folyo veya plastik malzeme parçaları veya yüksek oranda şeker içeren yiyeceklerin şekerli kalıntıları, özel kazıyıcıyla derhal sıcak pişirme bölgesinden temizlenmelidir (Şek. 4).



Şek. 4

Bu işlem, yüzeyin üzerinde herhangi bir hasarı önlemek için önemlidir.

Aşındırıcı süngerler veya zarar verici kimyasal deterjanlar leke giderici olarak kesinlikle kullanılmamalıdır.

TEKNİK VERİLER

ISITMA ELEMANLARI	NOMİNAL GÜÇ
tek devreli radyant Ø 210 (FRSM 604 C T)	2100 W
tek devreli radyant Ø 140 (FRSM 603 C TD / 2 x FRSM 604 C T)	1200 W
tek devreli radyant Ø 180 (FRSM 603 C TD)	1700 W
tek devreli radyant Ø 180 (FRSM 604 C T)	1700 W
çift devreli radyant Ø 210/270 (FRSM 603 C TD)	1500/2400 W

DESTEK

Çalıştırma ile ilgili herhangi bir sorunla karşılaşmanız durumunda, Franke Teknik Servis Merkezi'ne başvurun.

Yetkisiz kişilerin ürüne müdahale etmesine kesinlikle izin verilmemelidir.

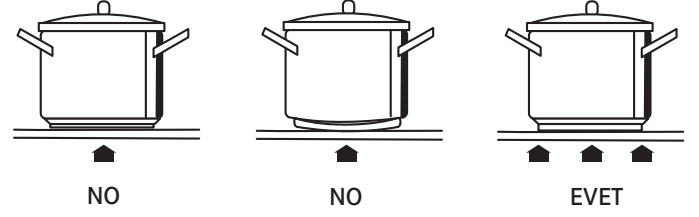
Müşteri hizmetleriyle irtibata geçerken lütfen aşağıdaki bilgileri temin edin:

- arıza türü
- ürün modeli (Art.)
- seri numarası (S.N.)

Bu bilgi veri plakasında bulunmaktadır. Veri plakası alt tarafa takılıdır.

BUHARLI TEMİZLEYİCİLER KULLANMAYIN.

Isıtma elemanları kullanılacaksa, sıcak bölgeyle aynı çapta veya biraz daha yüksek bir düz zeminli kap kullanılmasını öneririz (Şek. 5).



Şek. 5

- Kaynatma durumunda veya tüm sıvı kaynatma işlemlerinde sıvıların taşmasını önlemek için ısı beslemesini azaltın.
- Isıtma elemanlarını kap olmadan üst kısma veya boş tencere ve tavalarla koymayın.

Pişirme yüzeyinde hafif bir çatlak bile olsa, elektrik çarpması ihtimalini önlemek için güç kaynağının bağlantısını derhal kesin.



WWW.FRANKE.COM

© Franke Technology and Trademark Ltd., Switzerland

القدرة الاسمية	عناصر التسخين
2100 واط	شعاع دائرة فردية بقطر (FRSM 604 C T) 210
1200 واط	شعاع دائرة فردية بقطر (FRSM 603 C TD / 2 x FRSM 604 C T) 140
1700 واط	شعاع دائرة فردية بقطر (FRSM 603 C TD) 180
1700 واط	شعاع دائرة فردية بقطر (FRSM 604 C T) 180
2400/1500 واط	شعاع دائرة مزدوجة بقطر (FRSM 603 C TD) 210/270

الدعم

يجب أيضًا أن يكون بحوزتك دليل إثبات الشراء إذا كان جهازك لا يزال في فترة الضمان.

في حال أي مشاكل بالتشغيل، اتصل بمركز الخدمة الفنية بشركة Franke.

تجنب نهائيًا الاستعانة بخدمات الفنيين غير المعتمدين.

عند الاتصال بخدمة العملاء، يُرجى تقديم المعلومات التالية:

- نوع العطل

- طراز الجهاز (Art.)

- الرقم التسلسلي (S.N.)

تتوفر هذه المعلومات على لوحة توضيح البيانات. تم لصق لوحة البيانات على الجزء السفلي.

تومض الشاشة المعنية مع مؤشر LED المقابل لميقاتي النطاق (11).

- اضغط على مفتاح الميقاتي (7).
- اضبط مدة طهي جديدة باستخدام المفاتيح + و - (5 و 4).
- استمر في الضغط على + أو - لضبط مدة الطهي بسرعة.

إيقاف وظيفة الميقاتي

عند انقضاء مدة الطهي المضبوطة، تصدر إشارة صوتية لمدة دقيقتين. لإيقاف الإشارة الصوتية، ما عليك سوى الضغط على أي مفتاح.

يتوقف تشغيل نطاق الطهي الآن.

عند الرغبة في إيقاف الميقاتي قبل انتهاء المدة المبرمجة، يجب تشغيل النطاق المعني.

- اضغط على مفتاح الميقاتي (7).
- قم بتصفير الوقت بالضغط على - (4).

تتوقف فعالية الميقاتي الآن، ولكن سيظل نطاق الطهي مشغلاً حتى يتم إيقافه يدوياً.

الإيقاف السريع

1. يجب تشغيل النطاق المعني.
2. اضغط على المفاتيح + و - (5 و 4) في نفس الوقت وسيوقف نطاق الطهي على الفور. تتوقف فعالية الميقاتي أيضاً.

هذه الوظيفة الأوتوماتيكية تلغي الحاجة إلى التدخل البشري أثناء دورة الطهي بأكملها. يتوقف نطاق الطهي بعد انتهاء المدة المضبوطة.

تفعيل وظيفة الميقاتي

يجب تشغيل النطاق المراد برمجته.

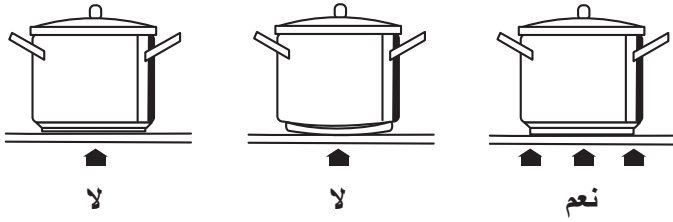
- اختر مستوى يتراوح بين 1 و 9.
 - اضغط على مفتاح الميقاتي (7) وستعرض شاشة الميقاتي البيان 00.
 - اختر وقت الطهي (من 0 إلى 99 دقيقة) باستخدام المفاتيح + و - (5 و 4). يتم تفعيل وظيفة الميقاتي أوتوماتيكياً خلال بضع ثوان.
 - يضيء ضوء المؤشر (11) المقابل للنطاق المبرمج.
 - استمر في الضغط على + أو - لضبط مدة الطهي بسرعة.
- تسري وظيفة الميقاتي على جميع نطاقات الموقد.

تغيير مدة الطهي المضبوطة مسبقاً

يمكن تغيير مدة الطهي المبرمجة في أي وقت. يجب تشغيل النطاق المعني.

التنظيف والصيانة

عند استخدام عناصر التسخين، ننصحك باستخدام الأواني ذات القواعد المسطحة (الشكل. 5) بالقطر نفسه أو أعلى نسبياً من نطاق التسخين.



الشكل. 5

- تجنب فيضان السوائل، لذا عند حدوث غليان أو في أي حالة تسخين زائد للسوائل، اخفض قدرة التسخين.

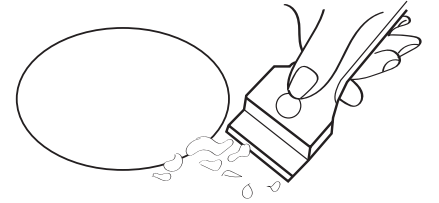
- تجنب ترك عناصر التسخين مُشغلة دون وضع أواني على سطح الطهي وأيضاً دون وضع مقالي أو أواني فارغة.

عند حدوث كسر ولو ضئيل في سطح الطهي، افصل مصدر التيار الكهربائي على الفور لتجنب احتمالية حدوث صدمة كهربائية.

أولاً وقبل أي شيء أزل قذات الطعام ونقاط الشحم عن سطح الطهي باستخدام كاشطة خاصة (الشكل. 4).

وبعد ذلك قم بالتنظيف باستخدام منتجات خاصة لأسطح الطهي المصنوعة من السيراميك الزجاجي باستخدام مناديل ورقية، ثم اشطفها بالماء وجففها بقطعة قماش نظيفة.

يجب على الفور إزالة رقائق الألومنيوم والمواد البلاستيكية التي انصهرت دون قصد وأيضاً بقايا السكر أو السكريات، عن نطاق سطح الطهي الساخن باستخدام كاشطة خاصة (الشكل. 4).



الشكل. 4

وهذا لتجنب أي ضرر قد يحدث لسطح الطهي العلوي.

تجنب تحت أي ظرف استخدام قطع إسفنجية كاشطة أو منظفات كيميائية شديدة كمزيلات للبقع. لا تستخدم أدوات التنظيف بالبخار.

مؤشرات الحرارة المتبقية

إذا كان نطاق الطهي لا يزال ساخناً لدرجة تتسبب في الإصابة بحروق، فسيعرض البيان المعني الرمز **H** (حرارة متبقية).
لا يختفي الرمز إلا عندما تنخفض درجة الحرارة إلى أقل من 60° م ويزول خطر الإصابة بحروق.

الوظائف

نطاق الطهي مزدوج الدائرة (للموديل FRSM 603 C TD فقط)

قد يتم تجهيز نطاق الطهي بدائرة مزدوجة، مثلاً قرص مركزي وحلقة خارجية.
يمكنك إما استخدام النطاق المركزي بمفرده أو كلا النطاقين معاً وبالتالي موازنة نطاق الطهي بما يتناسب مع مقاس المقلاة.

تشغيل نطاق الطهي مزدوج الدائرة (للموديل FRSM 603 C TD فقط)

يجب تشغيل النطاق المعني.

- اختر مستوى القدرة المرغوب (1 إلى 9).
 - قم بتشغيل الدائرة الثانية بالضغط على مفتاح الدائرة المزدوجة (6).
- يضيء ضوء المؤشر (10) للنطاق المحدد ويتم تشغيل الدائرة الثانية مع الدائرة الأولى.

إيقاف الدائرة الثانية لنطاق الطهي مزدوج الدائرة (للموديل FRSM 603 C TD فقط)

يجب تشغيل النطاق مزدوج الدائرة.

المس مفتاح الدائرة المزدوجة (6).

ينطفئ ضوء المؤشر (10) ويتوقف تشغيل الدائرة الثانية.

وظيفة قفل الجهاز

يمكن قفل الجهاز بأكمله لمنع التشغيل بدون قصد من خلال الضغط على مفتاح القفل (9). وهذا يخدم أيضاً وظيفة أمان الأطفال.

إذا تم إيقاف تفعيل وظيفة القفل قبل إيقاف الجهاز، فستبقى الوظيفة مفعلة عند تشغيل الجهاز في المرة القادمة.

ولن يكون لتشغيل المفاتيح أي تأثير أثناء تفعيل وظيفة القفل.

إيقاف الأمان الأوتوماتيكي

إذا تم ترك نطاق طهي واحد أو أكثر قيد التشغيل سهواً، فسيقوم عنصر التحكم بإطفائهم أوتوماتيكياً أو تقليل قدرتهم بعد فترة زمنية محددة.

في حالة إيقاف الأمان الأوتوماتيكي، تعرض الشاشة الرمز **H** أو يومض البيان **Fc**.

لمنع إيقاف الأوتوماتيكي، ما عليك سوى لمس مفتاح اختيار النطاق أو المفاتيح **+** و **-** قبل انتهاء الوقت المحدد.

الإحماء الأوتوماتيكي

من شأن هذه الوظيفة تبسيط عملية الطهي لأنها تلغي الحاجة إلى التدخل البشري.

يتم إحماء نطاق الطهي أولاً على أقصى قدرة لتوصيل النطاق إلى درجة حرارة الطهي، وبعدها تنخفض القدرة أوتوماتيكياً إلى المستوى المضبوط مسبقاً (الجدول 1).

ويستمر البيان في عرض القيمة 0 طالما كانت درجة الحرارة أقل من 60° م، وينتقل إلى البيان **H** فقط عندما ترتفع درجة الحرارة إلى أعلى من 60° م.

- أطفئ نطاق الطهي قبل اكتمال الطهي للاستفادة من الحرارة المتبقية لتوفير الطاقة.
- ينطفئ مؤشر الحرارة المتبقية **H** إذا انقطع مصدر الإمداد بالكهرباء.
- يمكن إيقاف الجهاز في أي وقت بالضغط على مفتاح القدرة (1).

مستوى القدرة	وظيفة الإحماء الأوتوماتيكي
1	1' 11"
2	2' 44"
3	4' 47"
4	5' 28"
5	6' 29"
6	1' 11"
7	2' 44"
8	2' 44"
9	-

تفعيل وظيفة الإحماء الأوتوماتيكي

- اختر نطاق الطهي بالضغط على المفتاح (2).
- اختر مستوى القدرة 9 باستخدام المفتاح **-**. بعد ذلك اختر المستوى 9 ذي العلامة العشرية باستخدام المفتاح **+**.
- اختر مستوى القدرة المرغوب، مثلاً 6، باستخدام المفتاح **-**.
- في وضع الإحماء الأوتوماتيكي، يعرض بيان نطاق الطهي المستوى المضبوط (6) مع العلامة العشرية (13) بالتناوب.

تغيير إعداد مستوى القدرة أثناء الإحماء الأوتوماتيكي

يجب تشغيل نطاق الطهي المعني.

يجب أن تضيء العلامة العشرية (13) في البيان المعني.

ويمكن زيادة قيمة التسخين باستخدام المفتاح **+** فقط.

يزداد المستوى ويتم احتساب وقت الإحماء الجديد مع مراعاة الوقت المنقضي من الإعداد السابق.

مثال: المستوى 1 هو أول مستوى محدد، ويطابق مدة إحماء تبلغ 1' 11".

وبعد 30"، تمت زيادة مستوى القدرة إلى 4، وهو ما يتطلب وقت إحماء يبلغ 5' 28".

وبعد تغيير المستوى، سيستغرق الإحماء الأوتوماتيكي 58'4" (5' 28" - 30 = 58'4") أخرى.

إيقاف تفعيل وظيفة الإحماء الأوتوماتيكي

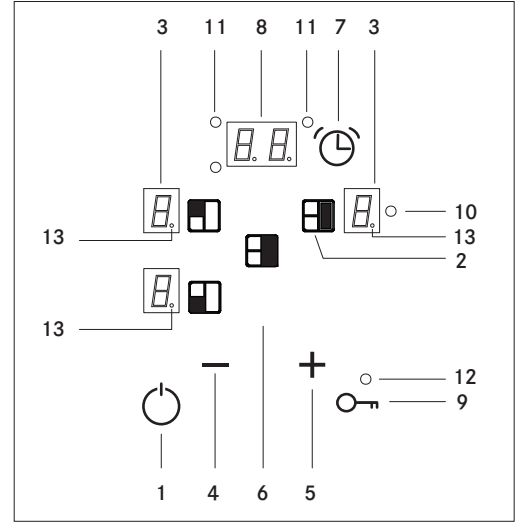
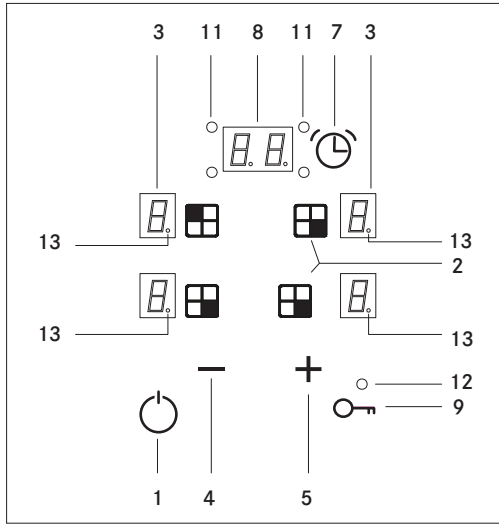
يجب تشغيل النطاق المعني.

يجب أن تضيء العلامة العشرية (13) في البيان المعني.

- اضغط على **-** (4) بعد تفعيل الوظيفة لمدة 10 ثوان على الأقل.

FRSM 604 C T

FRSM 603 C TD



8. شاشة الميقاتي
9. وظيفة القفل
10. ضوء مؤشر الدائرة المزدوجة
11. أضواء مؤشر الميقاتي
12. ضوء مؤشر القفل
13. علامة عشرية

1. التشغيل/ الإيقاف
2. نطاق الطهي
3. شاشة الضبط
4. ناقص
5. زائد
6. الدائرة المزدوجة فقط مع الموديل FRSM 603 C TD
7. الميقاتي

ملاحظة: يتم تشغيل وظيفة KeyLock (قفل المفاتيح) في أول مرة يتم فيها توصيل الموقد بمصدر الإمداد بالكهرباء. اضغط على الزر (9) لإيقاف تفعيلها وبدء استخدام المنتج.

المفاتيح الحساسة للمس
ويمكن تنفيذ جميع العمليات باستخدام المفاتيح الحساسة للمس (مستشعرات مرئية) الموجودة على واجهة لوحة التحكم، ويشتمل كل مفتاح على بيان معين. يتم تأكيد كل عملية من خلال صافرة.

الاستخدام اليومي

- اضغط على المفتاح (2) المقابل لنطاق الطهي. يعرض البيان ذو الصلة القيمة 0 بشكل ومضي للإشارة إلى تشغيل النطاق.
- اضغط مستوى القدرة (1 إلى 9) باستخدام المفاتيح + و - (5/4). تشتمل المفاتيح + و - على وظيفة مكرر، مما يعني أن استمرار الضغط على هذه المفاتيح يؤدي إلى زيادة أو تقليل الإعداد بمعدل وحدة واحدة كل 0.3 ثانية. يمكن تشغيل نطاق طهي واحد في كل مرة، وبالتالي يومض نطاق موقد واحد فقط في كل مرة.

إيقاف نطاق الطهي

- يجب تشغيل نطاق الطهي.
- قلل مستوى القدرة إلى 0 بالضغط على (4).
- وبعد 10 ثوانٍ سيتوقف نطاق الطهي أوتوماتيكياً.

الإيقاف السريع

- يجب تشغيل نطاق الطهي.
- اضغط على المفاتيح + و - (5/4) في نفس الوقت وسيتوقف النطاق على الفور.

عناصر التسخين المحكومة باللمس

التحكم باللمس	شدة حرارة التسخين
1	ضعيفة
2-3	هادئة
4	بطيئة
5-6	متوسطة
7-8	قوية
9	فاتح

تشغيل نطاق الطهي

1. المس المفتاح اللمسي (⏻) لمدة ثانيتين.
- يتم تشغيل عنصر التحكم:
- تعرض مؤشرات مستوى القدرة (3) القيمة 0.
2. قم بإجراء العملية التالية خلال 10 ثوانٍ، وإلا سيتوقف الجهاز أوتوماتيكياً.

لتجنب جميع المخاطر، في حال تلف كابل التيار يجب استبداله من قبل الجهة الصانعة أو من خلال مركز خدمة معتمد أو فني كهرباء مؤهل.
يجب تغيير كابل التيار من خلال فني كهرباء مؤهل فقط.

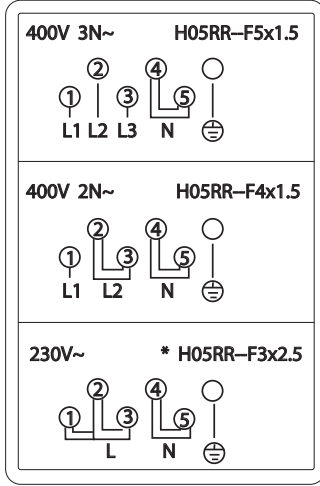
قبل إجراء التوصيل الكهربائي، يُرجى التأكد من:
- أن توافق خصائص المنظومة الكهربائية ما هو محدد في لوح المصنوفة الموجود أسفل موقد الطهي،
- أن الجهاز مُركب بوصلة أرضي تعمل بكفاءة، بإتباع المعايير وأحكام القانون السارية.

وصلة الأرضي إلزامية وفقاً لنصوص القانون. في حال عدم وجود كابل و/أو قابس بموقد الطهي، استخدم مواد امتصاص مناسبة لدرجة حرارة التشغيل كما هو محدد بلوح المصنوفة. يجب ألا تتجاوز نهائياً درجة حرارة الكابل 50° م من درجة الحرارة المحيطة.

في حال التوصيل مباشرة بمصدر تيار رئيسي، قم بتركيب مفتاح متعدد الأقطاب بحجم مناسب للقدرّة المُقدّرة مع مسافة خلوص تتيح فصل خط التيار بالكامل عند رصد ظروف فولطية زائدة من الفئة III، بالتناسق مع قوانين التركيب (يجب ألا يتم قطع سلك التاربيض الأصفر/الأخضر).

يجب سهولة الوصول للقابس أو المفتاح متعدد الأقطاب المُركب بالجهاز.

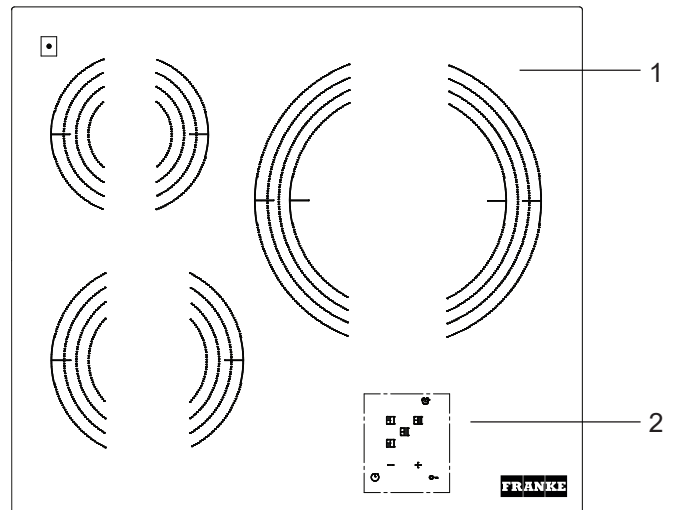
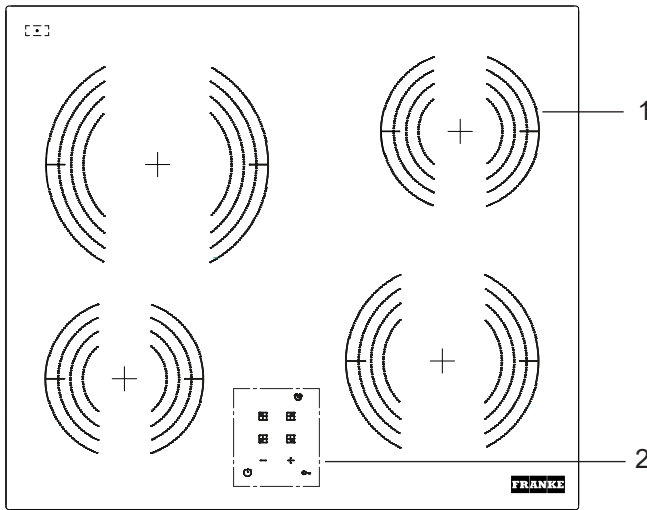
لا تتحمل الجهات الصانعة أي مسؤولية في حال عدم الالتزام بما هو موضح أعلاه وإذا لم يتم احترام معايير منع الحوادث واتباعها.



نظرة عامة

FRSM 604 C T

FRSM 603 C TD



1. سطح الطهي
2. لوحة التحكم

التخلص من مواد التغليف

يجب التخلص من الأجزاء المختلفة لعبوة التغليف بطريقة مسؤولة وبما يتوافق تمامًا مع لوائح السلطة المحلية التي تحكم التخلص من النفايات.

إرشادات بشأن توفير الطاقة

حاول الاستفادة قدر المستطاع من الحرارة المتبقية في الأطباق الساخنة من خلال إيقاف الجهاز عدة دقائق قبل إنهاء عملية الطهي.

يجب أن تغطي قاعدة الإناء أو المقلاة لوح التسخين بالكامل،


حيث يتسبب الوعاء الأقل حجمًا من لوح التسخين في إهدار الطاقة.

قم بتغطية المقالي والأواني الخاصة بك بأغطية محكمة الغلق أثناء الطهي واستخدم أقل كمية من الماء قدر المستطاع. يتسبب الطهي دون وضع غطاء في استهلاك قدر كبير من الطاقة.

التخلص من الأجهزة المنزلية

تم تصنيع هذا الجهاز من مواد قابلة لإعادة التدوير أو إعادة الاستخدام. التخلص من الجهاز وفقًا لتشريعات التخلص من النفايات المحلية. لمزيد من المعلومات بشأن التعامل والإصلاح وإعادة تدوير الأجهزة الكهربائية المنزلية، اتصل بالسلطة المحلية المختصة لديك، أو خدمة تجميع النفايات للنفايات المنزلية أو المتجر الذي اشتريته منه الجهاز. يتميز هذا الجهاز بالتوافق مع التوجيه الأوروبي 19/2012/الاتحاد الأوروبي، النفايات الكهربائية والأجهزة الإلكترونية (WEEE).

بمجرد التخلص من هذا الجهاز بطريقة صحيحة، ستساهم حينئذ في منع النتائج السلبية على البيئة وصحة الإنسان.

يشير الرمز  الموجود على المنتج أو على المستندات الموردة إلى أنه لا يجب التعامل مع الجهاز على أنه ضمن النفايات المنزلية ولكن يجب نقله إلى مركز تجميع ملاءم لإعادة تدوير الأجهزة الكهربائية والإلكترونية.

التركيب

يجب تنفيذ جميع الإجراءات ذات الصلة بالتركيب (التوصيل الكهربائي) من خلال أفراد مهرة بالتوافق مع القوانين السارية.

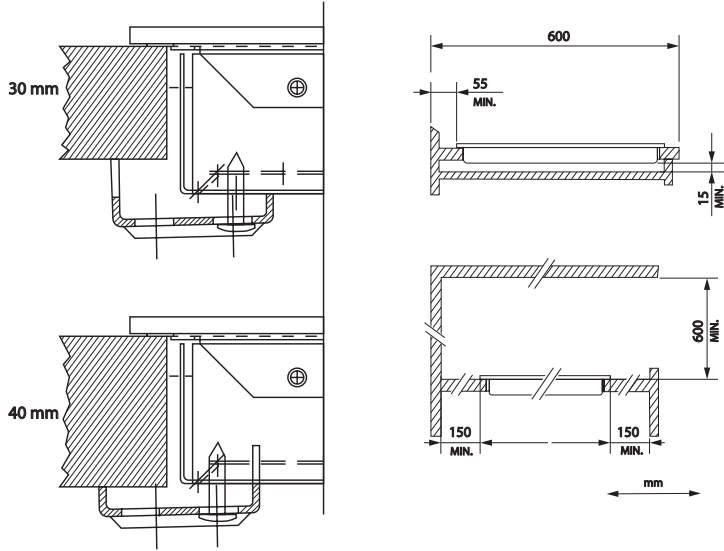
تجنب النظر مباشرة إلى لمبة الهالوجين.

تختص هذه التعليمات بالفني المؤهل كدليل لعملية التركيب والضبط والصيانة وفقًا للقوانين والمعايير السارية. يجب دائمًا تنفيذ أي من هذه العمليات بينما الجهاز مفصول من النظام الكهربائي.

الجهاز غير مصمم للتشغيل بميقاتي خارجي أو بنظام تحكم عن بعد مستقل.

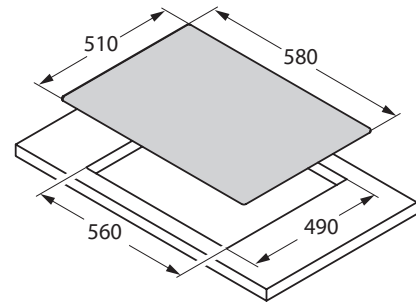
وضع الجهاز

ييمكن تركيب الجهاز داخل منطقة عمل كما هو موضح في الأشكال (الشكل a1 والشكل b1). ضع مانع التسرب المورد على محيط حيز تركيب الجهاز بالكامل.



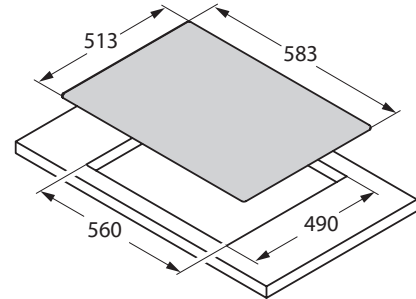
الشكل 2

FRSM 603 C TD BK / FRSM 604 C T BK




الشكل 1a


FRSM 604 C T XS



الشكل 1b


 تحذير: يصبح الجهاز وأجزاؤه التي يسهل الوصول إليها ساخنة أثناء الاستخدام. لذا، يجب توخي الحذر لتجنب لمس الأجزاء الساخنة.


- يجب إبعاد الأطفال دون سن 8 سنوات مالم يتم الإشراف عليهم بصفة مستمرة.


 تحذير: عدم متابعة الموقد أثناء عملية طهي باستخدام دهون أو زيت قد تشكل خطراً وتتسبب في نشوب حريق.

- تجنب نهائياً إخماد حريق باستخدام الماء، ولكن ما عليك فعله إيقاف الجهاز ثم تغطية اللهب باستخدام غطاء أو بطانية حريق.


 تحذير: خطر نشوب حريق: تجنب وضع أشياء على أسطح الطهي.

 إذا حدث كسر بسطح الموقد، قم بإيقاف الجهاز لتجنب احتمالية حدوث صدمة كهربائية.


 تحذير: تأكد من إيقاف الجهاز وفصله من مصدر التيار قبل إجراء أي عملية صيانة.

 خطر التعرض لصدمة كهربائية!
تجنب نهائياً استخدام أجهزة التنظيف بالبخار.

تجنب استخدام منتجات كاشطة أو مسببة للتآكل، أو منظفات تحتوي على كلور أو منظفات أواني مصنوعة من السلك. ينبغي عدم وضع الأجسام المعدنية مثل السكاكين والشوك والملاعق والأغطية على سطح الموقد لأنها يمكن أن تصبح ساخنة.


 تنبيه: الجهاز غير مصمم للتشغيل من خلال أجهزة تشغيل خارجية مثل ميقاتي أو نظام تحكم عن بعد مستقل.

- خطر نشوب حريق: تجنب وضع أشياء على أسطح الطهي.

 تنبيه: يجب الإشراف على عملية الطهي. يجب الإشراف على عملية الطهي التي تستغرق مدة قصيرة باستمرار.


اقرأ تعليمات التشغيل قبل استخدام الجهاز للمرة الأولى. لا تتحمل الجهة الصانعة المسؤولية عن الأضرار المحتملة التي قد تحدث بسبب التركيب غير الصحيح، والاستخدام غير الصحيح أو غير المناسب أو غير المعقول للجهاز. لضمان تشغيل هذا الجهاز الكهربائي بشكل فعال وآمن: اتصل بمراكز الخدمة المعتمدة فقط. تجنب تعديل أي من خصائص الجهاز.


يحظر استخدام هذا الجهاز من قبل الأفراد (بما في ذلك الأطفال) الذين يعانون من ضعف في القدرات الجسدية أو الحسية أو العقلية أو الذين يعانون من نقص في الخبرة والمعرفة، ما لم يتم الإشراف عليهم وتوجيههم.


 يمكن استخدام هذا الجهاز من قبل الأطفال منذ عمر 8 سنوات فأكثر، والأفراد الذين يعانون من نقص في القدرات الجسدية أو الحسية أو العقلية أو الأشخاص الذين يعانون من نقص الخبرة والمعرفة بشرط أن يتم الإشراف عليهم وتوجيههم إلى كيفية استخدام الجهاز بطريقة آمنة وإدراكهم للأخطار المتعلقة بذلك.

يجب ألا يعيبت الأطفال بالجهاز.

لا يجوز للأطفال القيام بأعمال التنظيف و إجراءات الصيانة المنوطة بالمستخدم دون الإشراف عليهم. ينبغي مراقبة الأطفال لضمان عدم العبث بالجهاز.

 يجب تسهيل فصل الجهاز من مصدر التيار الكهربائي من خلال إزالة القابس، في حال سهولة الوصول للقابس، أو من خلال تركيب مفتاح متعدد الأقطاب في اتجاه المقبس وفقاً لقواعد التوصيل ويجب تأريض الجهاز بالتوافق مع معايير السلامة الكهربائية القومية.

 تجنب استخدام وصلات التمديد أو مقابس متعددة أو مهاينات. يجب ألا يسهل وصول المستخدم للمكونات الكهربائية بعد تركيب الجهاز. تجنب استخدام الجهاز وأنت مبلل أو حافي القدمين. تجنب استخدام هذا الجهاز في حال تلف كابل التيار أو القابس، أو إذا كان يعمل بشكل غير صحيح، أو إذا لحق الضرر به أو سقط.

 في حال تلف سلك التيار، يجب استبداله بأخر مطابق له من قبل الجهة الصانعة، أو وكيل الصيانة أو من خلال أشخاص آخرين لديهم خبرة مماثلة وذلك لتجنب وقوع أي مخاطر - خطر التعرض لصدمة كهربائية.

٢	معلومات السلامة
٣	التركيب
٤	التوصيل الكهربائي
٤	نظرة عامة
٥	الاستخدام اليومي
٦	الوظائف
٧	التنظيف والصيانة
٨	البيانات الفنية
٨	الدعم

